



[Home](#) » [Wardrobe Drawer Organiser](#)

Wardrobe Drawer Organiser



- These new multipurpose divider organisers come with various options for storage
- Can easily be added to a finished wardrobe and moved around to suit your needs
- These dividers are available for storing ornaments, watches, bangles or others

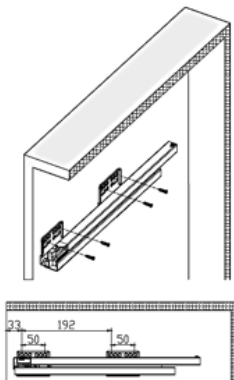
Specifications

Item	Code	Size (mm)	Finish
Wardrobe Drawer Organiser - Ornaments	WDOO-3212 GR	316 x 117.5 x 50	Grey
Wardrobe Drawer Organiser - Watch / Bangles	WDOWB-3212 GR	316 x 117.5 x 50	Grey
Wardrobe Drawer Organiser - Multipurpose-4	WDOM4-3212	316 x 117.5 x 50	Grey
Wardrobe Drawer Organiser - Multipurpose-3	WDOM3-3212	352 x 117.5 x 50	Grey

Fitting Instructions

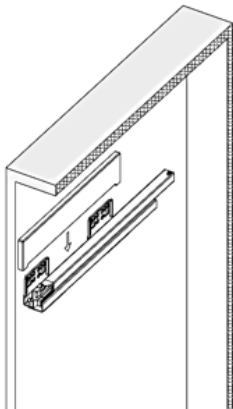
1

Install the slides
(wardrobe inner depth
must be \geq aluminum
frame's width + 5mm)

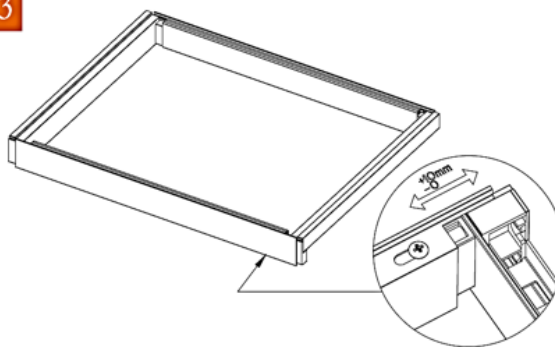


2

Install the slides cover



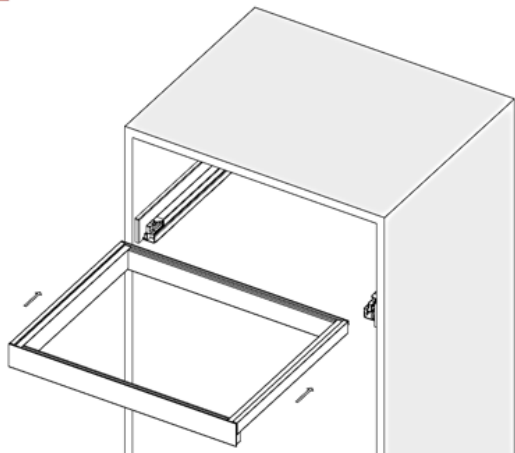
3



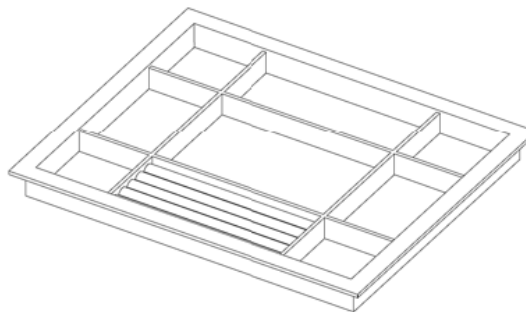
Adjust the width of aluminum frame by screwdriver,
in order to put onto slides smoothly.
The adjustment device is in the bottom of aluminum frame.
All the aluminum frame's left and right side can be
+10mm per side (+20 mm totally).

4

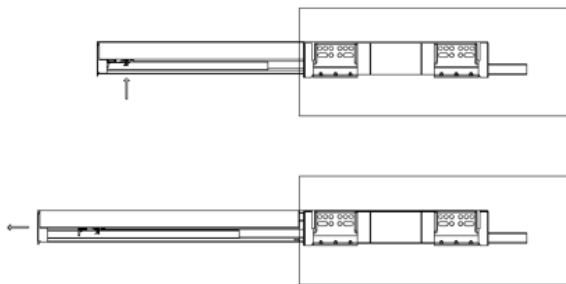
Put the aluminum frame onto slides and check if the
slides can move smoothly.



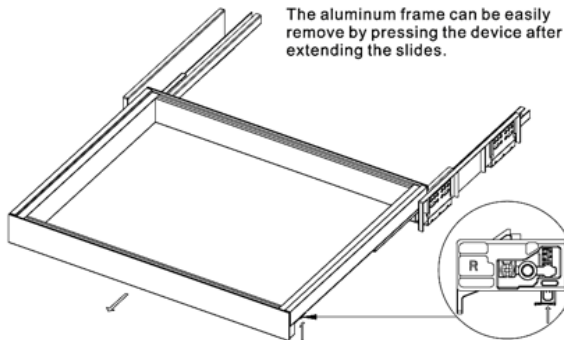
Wardrobe Pullout Drawer Organiser



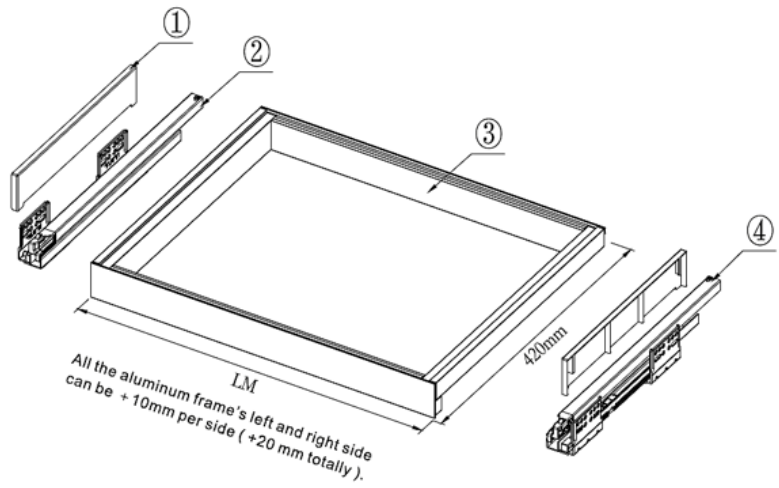
Remove the aluminum frame



The aluminum frame can be easily
remove by pressing the device after
extending the slides.

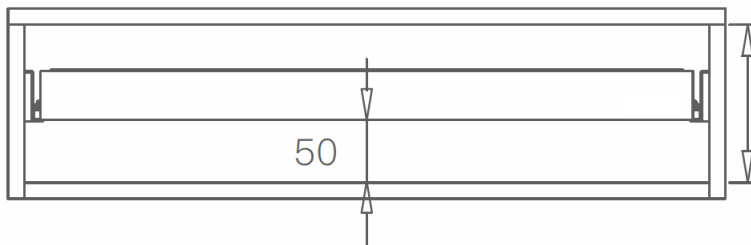
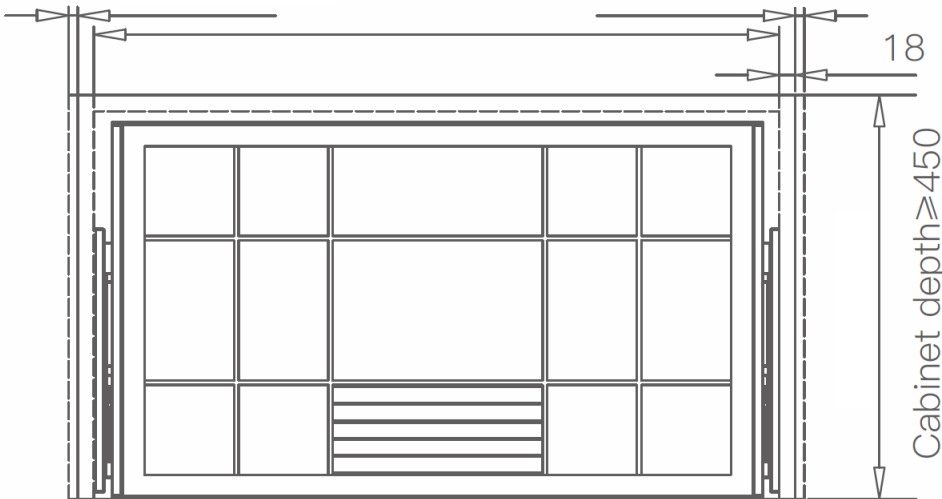


Accessories No.	Accessories	Qty
①	Slides' Cover	2
②	Left slide	1
③	Aluminum frame	1
④	Right slide	1



Distance for adjustment=10

Distance for adjustment=10



Cabinet height ≥175