



[Home](#) » [Table Bracket Recessed](#)

Table Bracket Recessed



- Can be recess fitted into the table top
- Ideal fitting for a fold away table
- Special release latches help fold the table
- Built for strength and durability
- Available in Anthracite, Brown, White Matt .
- Minimum table top thickness 25mm
- **This product does not include Table Top. This may be procured at a separate cost with the help of our local distributor.**

Specifications

Model	Code	Dim 'X'	Dim 'Y'	Max. Load Kgs	Finish
Table Bracket Recessed	TBR30	300mm	300mm	100	Anthracite / Brown / White Matt
	TBR40	400mm	400mm		
	TBR50	500mm	500mm		

Fitting Instructions

1. The under side of table must be routed as per Fig. 1
2. Screw the side bracket to the wall with wall plugs and screws (Ref. fig. 2). The wall must be of solid wood, brick work or concrete only. Do not use on plywood, blockboard etc.
3. It can be folded and kept while not in use. Pull the black plastic latch as shown in fig. 3 & 3A the bracket will automatically fold.
4. Do not press and force the fittings to fold as shown in Fig. 4 (Screws & Plugs not provided).

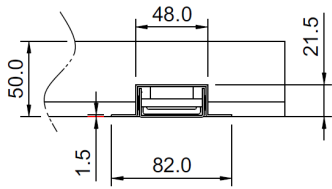
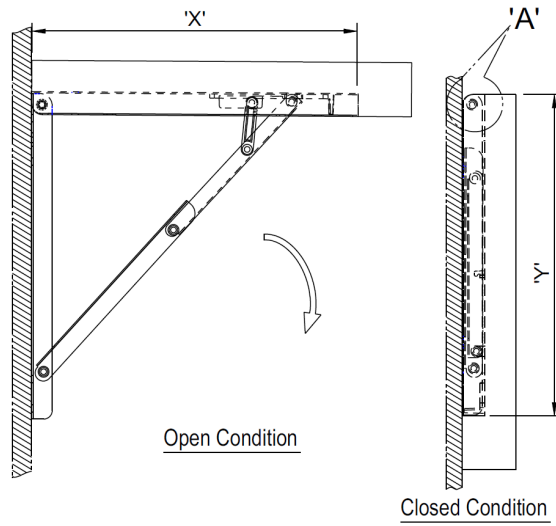
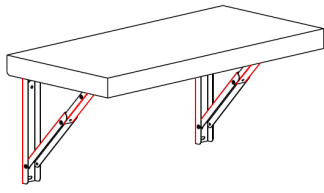


Fig. 1

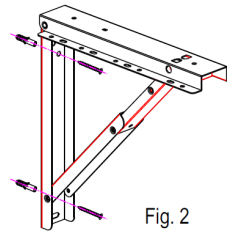
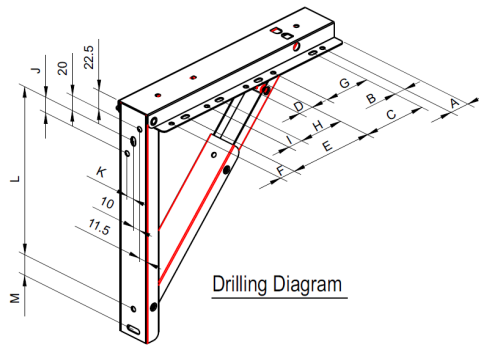


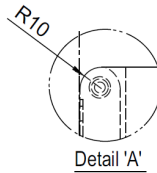
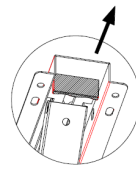
Fig. 2



Drilling Diagram

Pull the Black Plastic Latch in direction of arrow and the Bracket will automatically fold

Fig.3



Detail 'A'

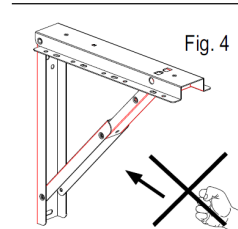


Fig. 4

Do not press here

Code No.	Dim 'A'	Dim 'B'	Dim 'C'	Dim 'D'	Dim 'E'	Dim 'F'	Dim 'G'	Dim 'H'	Dim 'I'	Dim 'J'	Dim 'K'	Dim 'L'	Dim 'M'
TBR 30	37.0	32.0	160.0	32.0	--	--	--	--	--	--	--	220.5	21.0
TBR 40	37.0	32.0	160.0	--	--	--	128.0	96.0	32.0	20.0	10.0	320.5	27.0
TBR 50	37.0	32.0	160.0	32.0	196.0	32.0	--	--	--	20.0	10.0	420.5	27.0