



[Home](#) » [Storage Systems](#) » [Kitchen Pulldown System 900mm - Soft Close](#)



Kitchen Pulldown System 900mm - Soft Close

- Overhead Storage is now accessible.
- Soft pulldown & Soft lift up feature.
- Ability to adjust the load as per requirement. (Ref. below instructions)
- Cabinet internal width: 864-868mm
- SS304 Baskets can easily be removed for cleaning and clipped back.
- Finish: Mechanism: Anthracite & Basket: SS304

Specifications

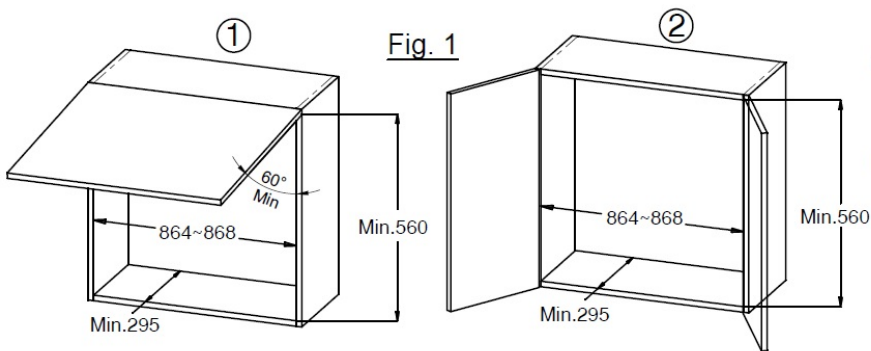
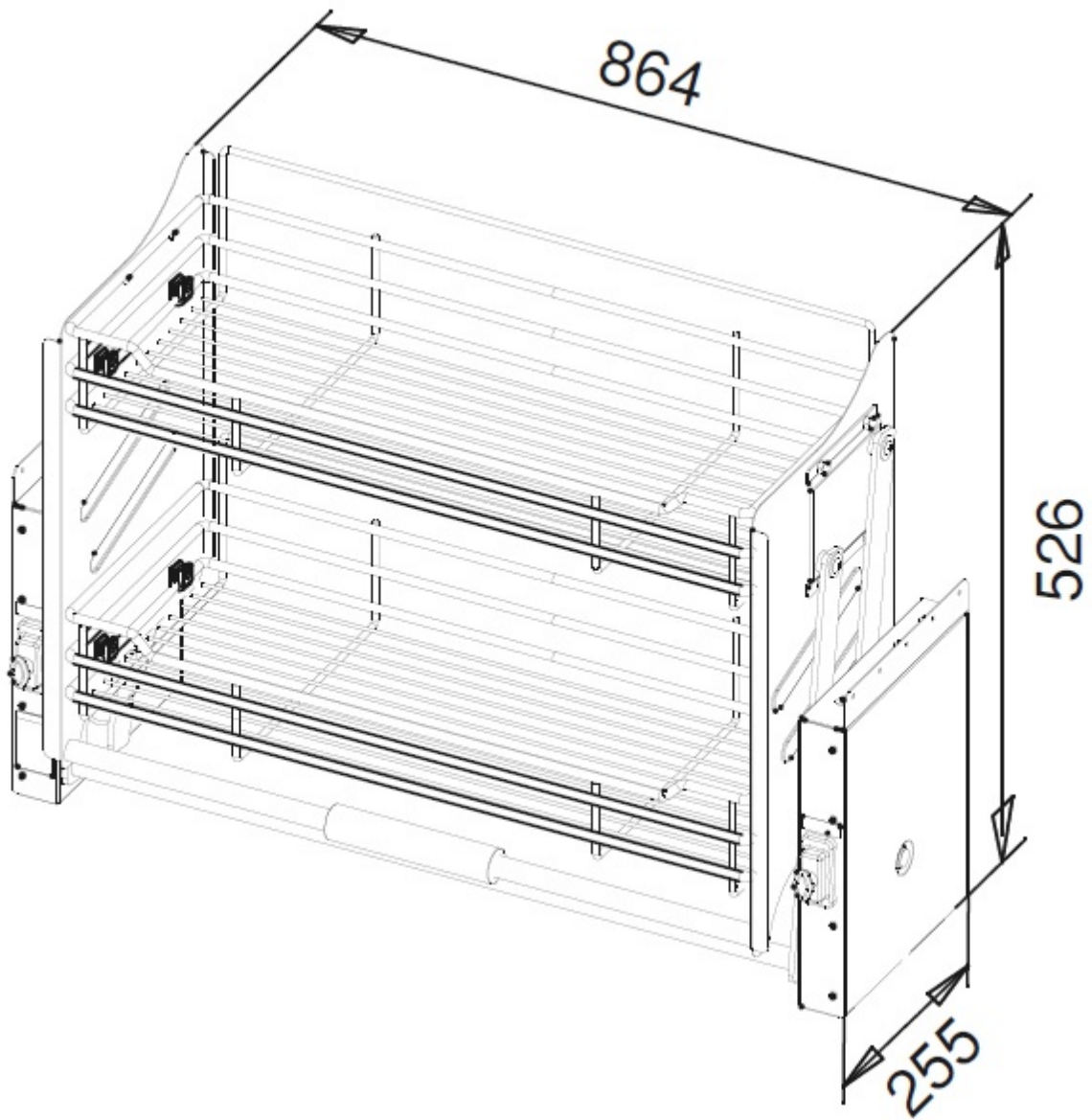
Item	Code	Size (mm)	Finish
Kitchen Pulldown System 900mm Mechanism	KPDS90-AT	864 x 526 x 255	Anthracite
Baskets for Kitchen Pull Down System	KPDSB-29-10-6	727 x 251 x 145	SS 304

Fitting Instructions

1. Assemble the cabinet as per dimensions shown in Fig.1. Possible to create different configurations
2. Insert the U-Clamps into bottom rod of basket and screw it to mechanism with help of fasteners provided as shown in Fig. 2 & 2a
3. Fix mechanism onto the cabinet with the help of screws provided (10 nos.) as shown in Fig. 3 for additional details refer drilling diagram

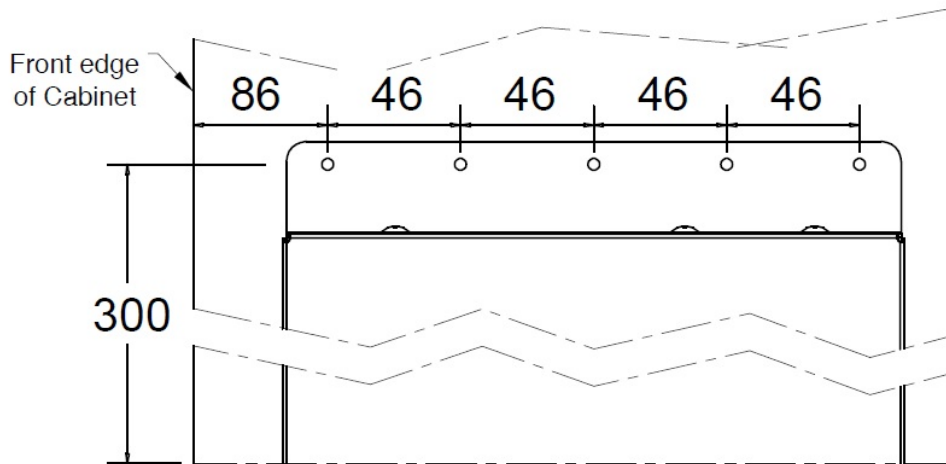
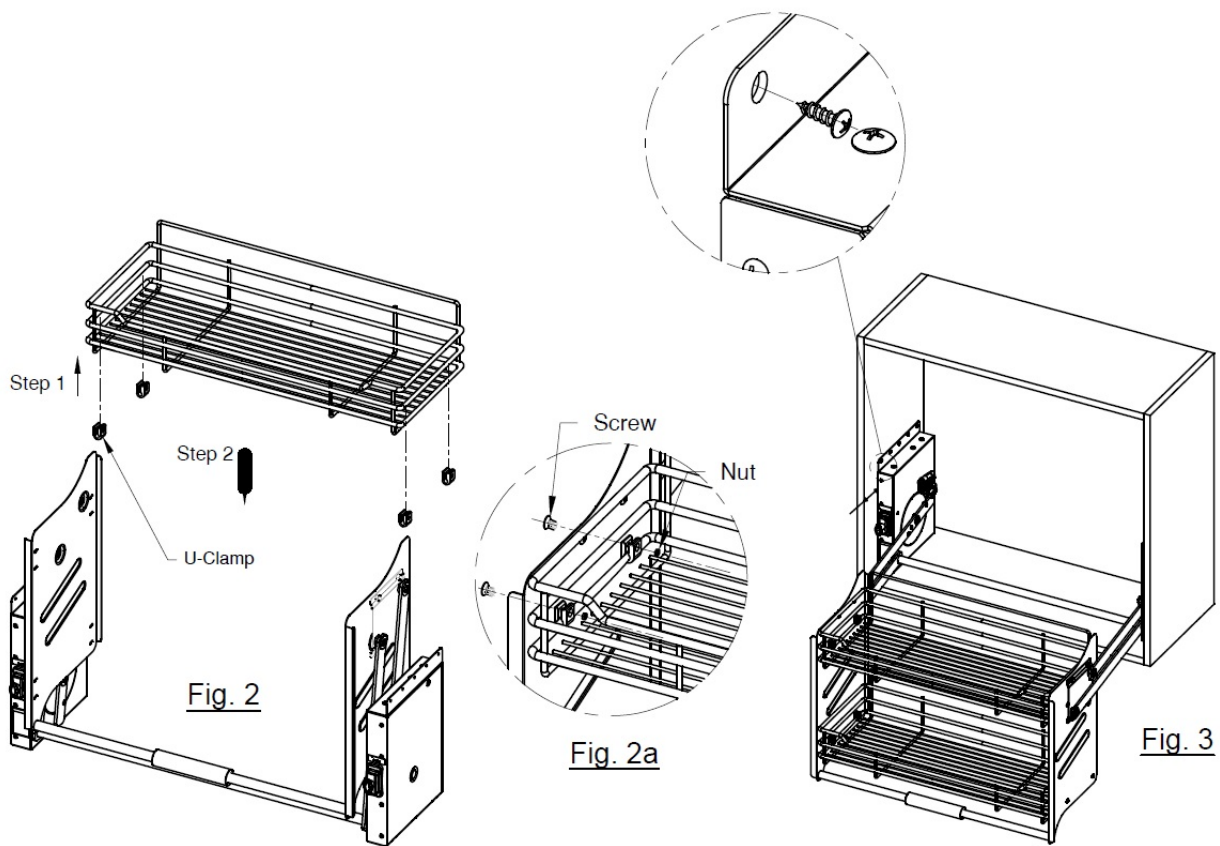
Important Note:

1. The max load bearing capacity of mechanism is 12 kilograms and both buttons shall be pulled out when there is no load
2. The operation of buttons is strictly prohibited when pulling the basket. The buttons can be operated after the basket body is at rest
3. The left button shall be pressed and right button shall be pulled out when the load is about 1 - 5 kilograms
4. The left button shall be pulled out and the right button shall be pressed when the load is about 5 - 7 kilograms
5. Both buttons shall be pressed when the load 6 - 12 kilograms
6. The weight and capacity of the bottles and packaged foods shall be taken as the reference load.



Note :

- a) When product is installed in Lifting Door type cabinet ①, the door opening angle to be 60° minimum.
- b) When product is installed in Opening Door type cabinet ②, if the inner depth of Cabinet is 295mm; kindly pay attention to the size and specification of the hinge for door.



Drilling
Diagram

