



[Home](#) » [Smart Lift Single Leg - Gas Lift Center Pole \(with Table Top\)](#)



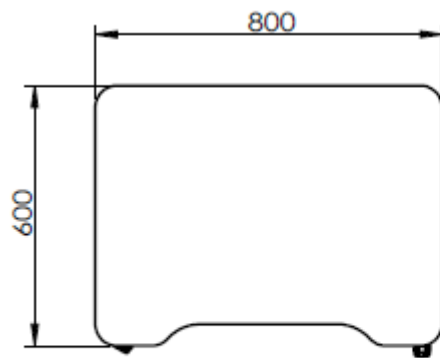
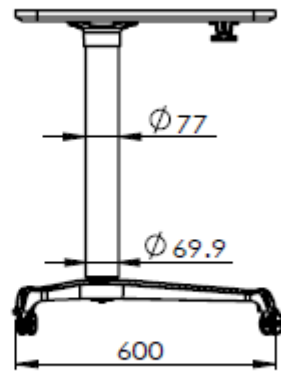
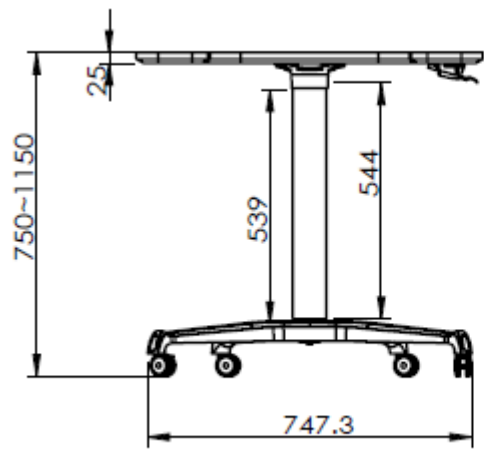
Smart Lift Single Leg - Gas Lift Center Pole (with Table Top)

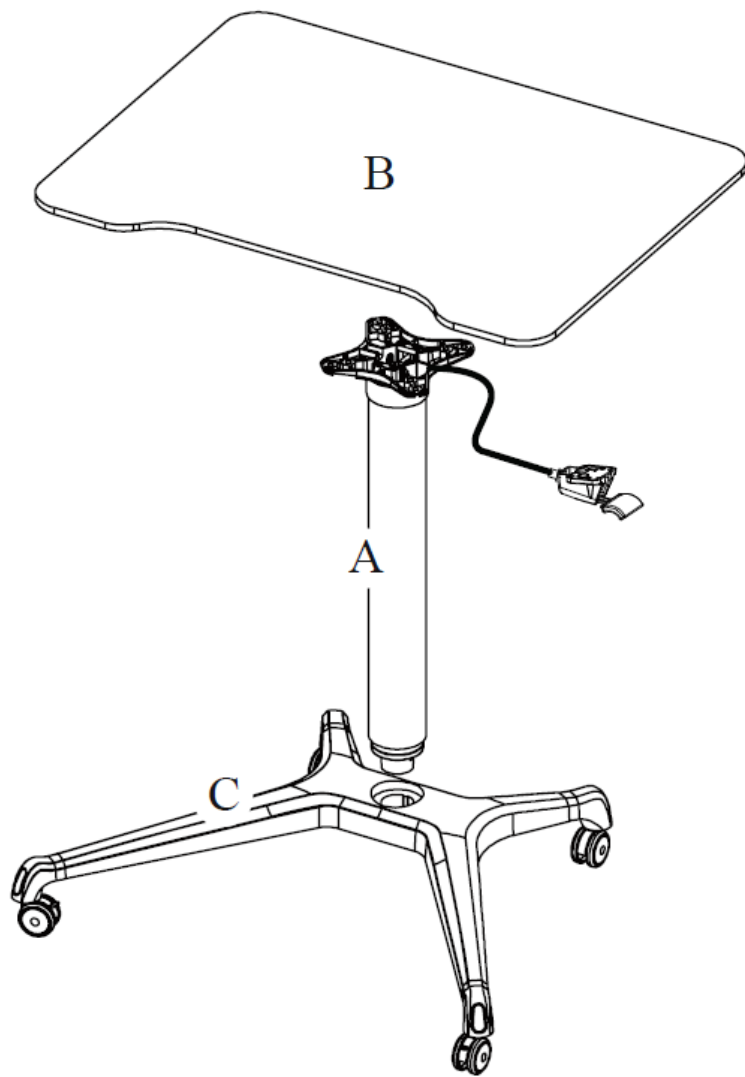
- Sit or stand mobile work desk with height adjustment feature.
- Single pole structure with built-in castors enables easy movement of the workstation.
- Raise or lower the desk at any desired height with an in-built hand lever.
- Ideal for Offices, Institutional and home applications.
- Optional plinth levellers available instead of Castors. (On request)
- Height: 764 - 1150mm
- Stroke: 386mm
- Speed: 200mm/s
- Capacity: Dynamic - 8kg, Static - 50kg
- Table Top Dimentions - 800mm x 600mm x 25mm







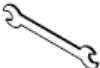



Specifications

Model	Code	Height	Table Top Size (mm)	Frame Size	Speed	Capacity	Finish
Smart Lift Single Leg - Gas Lift Centre Pole (With table Top)	SLSL2 GTT - CP	760-1150	800 x 600 x 25mm	(W)618 mm (D) 545 mm	200mm/s	Dynamic - 8 Kg Static - 50 Kg	Mechanism - Silver Table Top - MDF

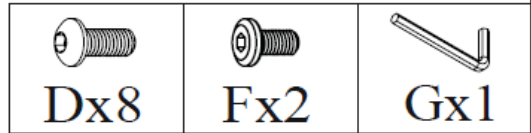
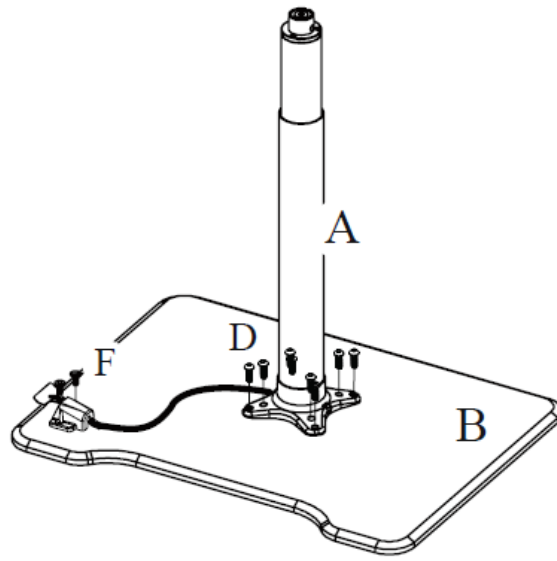
Fitting Instructions



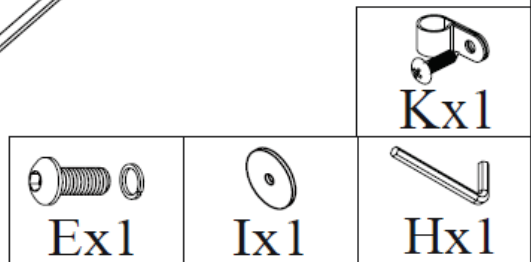
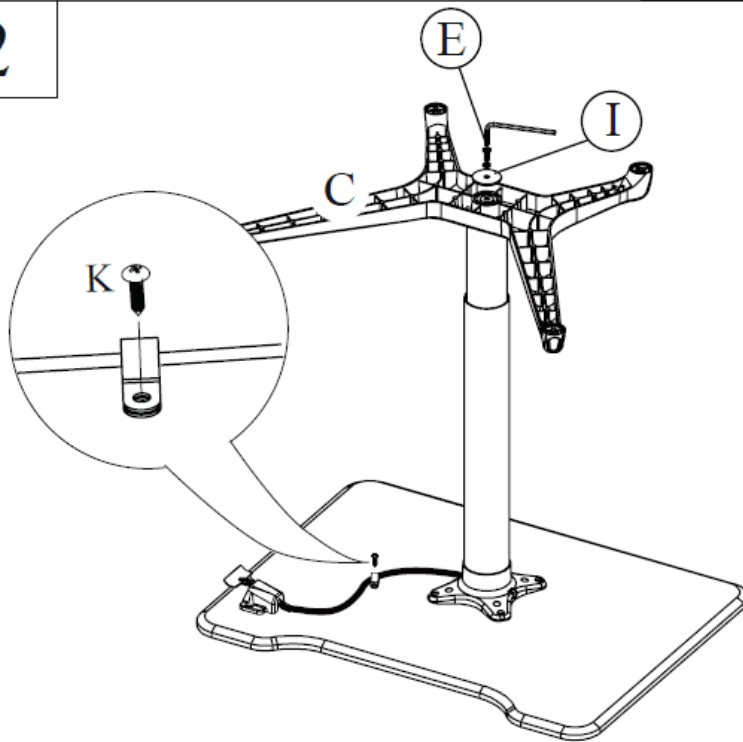


	Dx8	M6x16mm		Ex1	M8X20
	Fx2	M6x12mm		Gx1	4MM
	Hx1	5MM		Ix1	
	Jx1	14MM		Kx1	
	Lx2			Mx2	

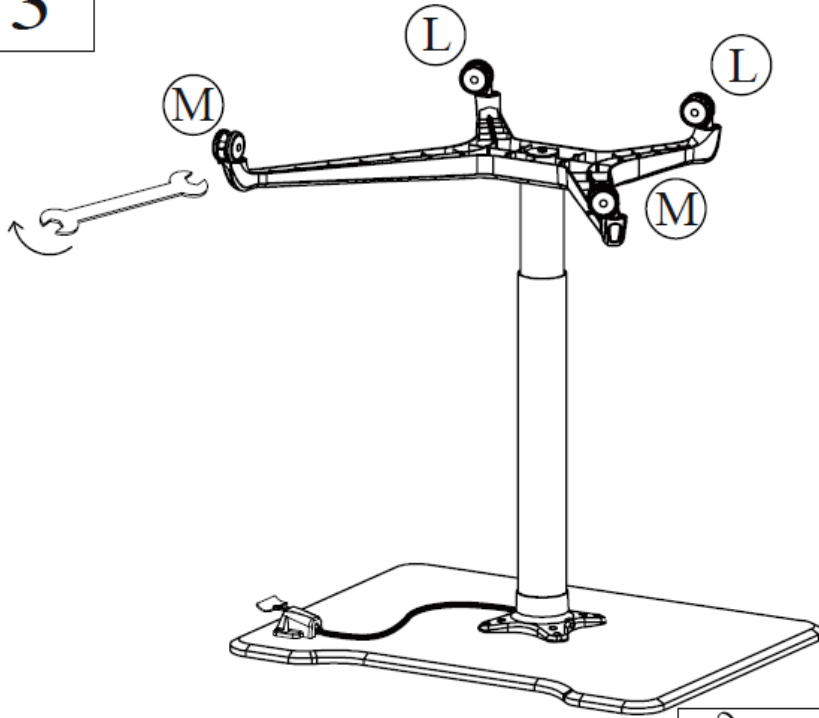
1



2



3



Jx1



Lx2



Mx2

4

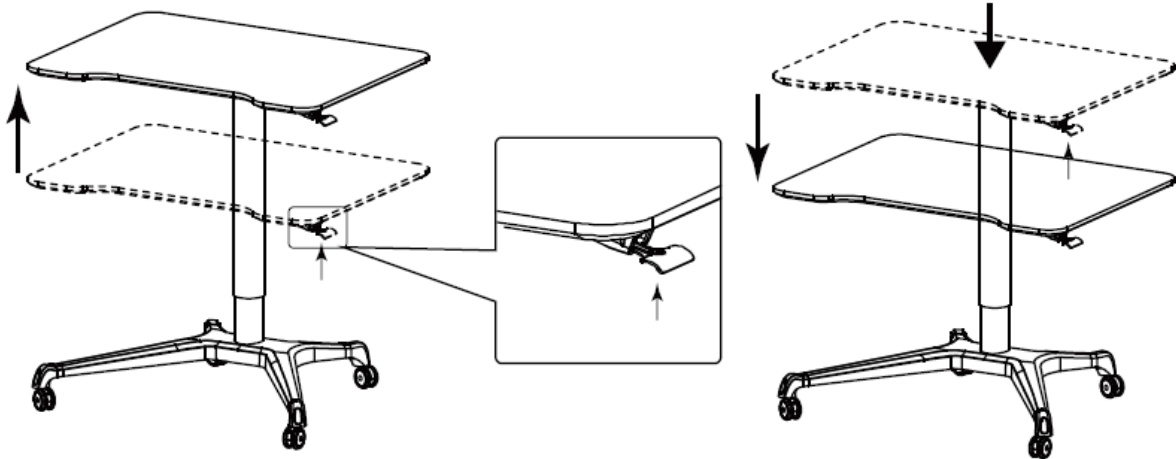


Operating Manual

< 8KG



Attention: it is recommended not to exceed a maximum of 8KG on desk top to allow for easy lifting.



Lift the paddle for lifting the table top.

Lift the paddle and press the table top for downward operation.

Packing Chart

Model	Code	Inner Packing (kgs)		Outer Packing (kgs)	
		Qty	Weight	Qty	Weight
Smart Lift Single Leg - Gas Lift Center Pole (with table top)	SLSL2 GTT-CP	-	-	1 Set	19