



[Home](#) » [Smart Ladder - 1 Step \(Load Capacity 100 kgs\)](#)



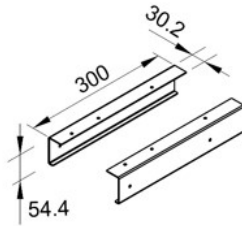
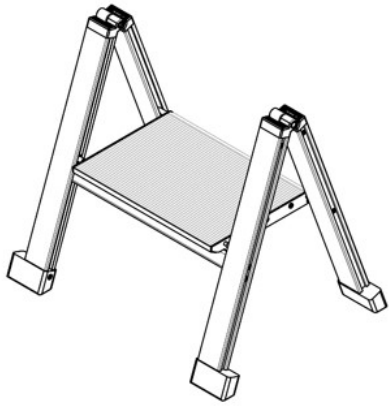
Smart Ladder - 1 Step (Load Capacity 100 kgs)

- Practical step ladders for daily use at home.
- Superior design ensures high strength & light in weight. Made of aluminium extrusion. Non slip nylon feet ensures grip in all position and also protect the floor surface from scratches.
- Smart ladder 1 step can be stored inside a kitchen/utility cabinet with mounting bracket.

Specifications

Model	Code	Size (mm)	Finish
Smart Ladder - 1 Step (with Horizontal Hanging Bracket)	SL-1	Open Condition: 466 x 429 x 360mm Close Condition: 466 x 465 x 53mm Load Capacity: 100Kgs	Anodized Silver

Fitting Instructions



Horizontal Hanging Brackets (Optional)

Fitting Instructions

- 1) Screw the mounting brackets under the table top as per the drilling diagram.
- 2) In Closed condition, Slide in the ladder to Store as shown in Fig. 1

Caution

- Ensure all four feet are on levelled surface when ladder is in open condition.
- Keep your body between the side rails for safety and do not over reach.

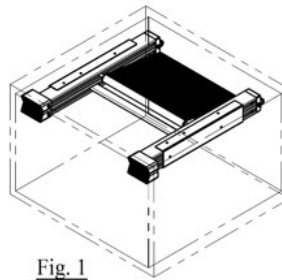
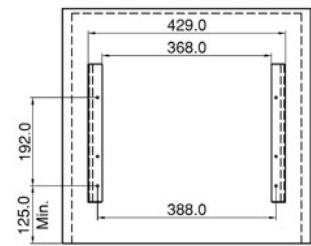
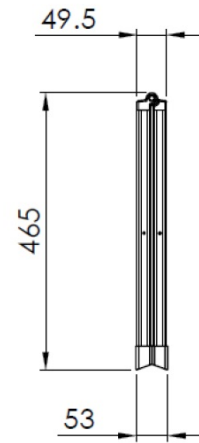
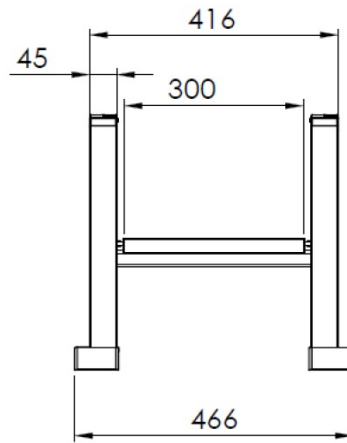
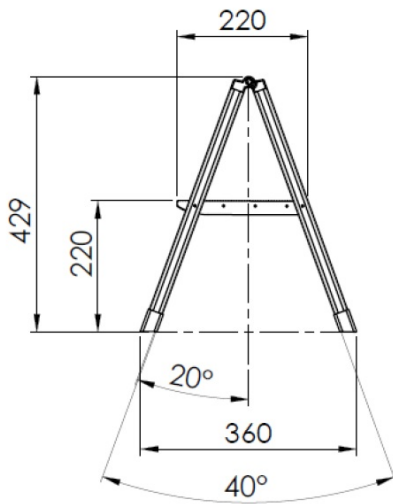


Fig. 1



Drilling Diagram (Optional)



CLOSE CONDITION