



[Home](#) » [Sliding Door Fitting 100 Soft Close \(With Quick Fit\)](#)



Sliding Door Fitting 100 Soft Close (With Quick Fit)

- Single slide with bi-directional soft closing
- Adjustable soft-closing speed and travel according to the door weight
- Maximum soft closing travel:115mm
- Weight Capacity: 100kg
- Door Thickness: Min. 30mm
- Door Height Adjustment: ± 3 mm with Quick Release Base
- Including Screws: 6 pcs for Aluminium Track; 12 pcs for Quick Release Base

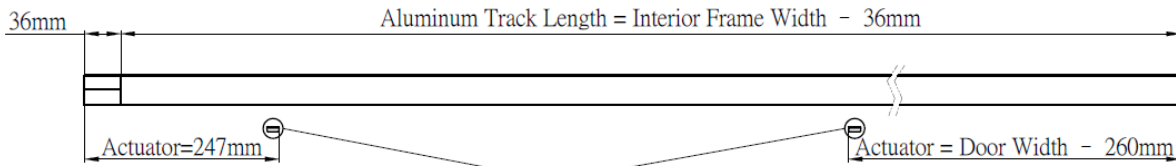
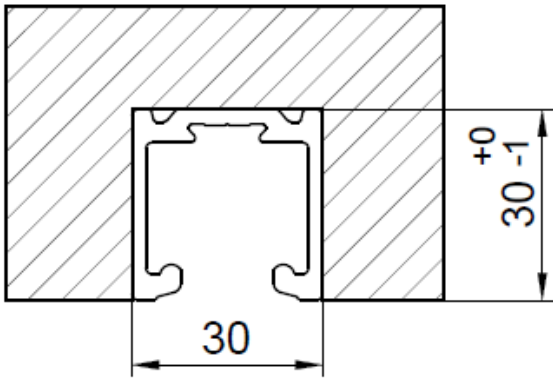
Specifications

Model	Code	Max. Load	Size (mm)	Finish
Sliding Door Fitting 100 Soft Close (with Quick Fit)	SDF-100-SC	100 kg	-	Zinc White
Track for Sliding Door Fitting 60/100	SDF-60-100-AT-2	-	2.44	Anodized Silver
Track for Sliding Door Fitting 60/100	SDF-60-100-AT-3	-	3.66	

Contents	Bi-Directional Soft-Close Kits	Actuator	Allen Key	Repair Block	Adjustment Wrench	Quick Release Base	Hanger	Door Bottom Guide	Aluminum Track
Part									
Quantity	1	2	1	1	1	2	1	1	Not Included

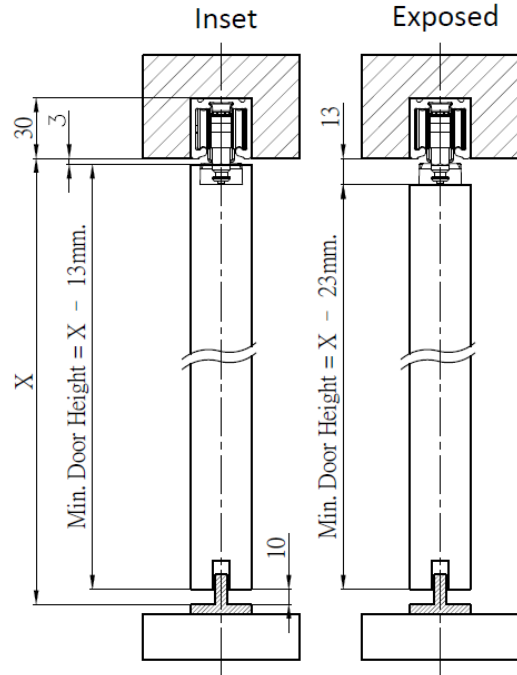
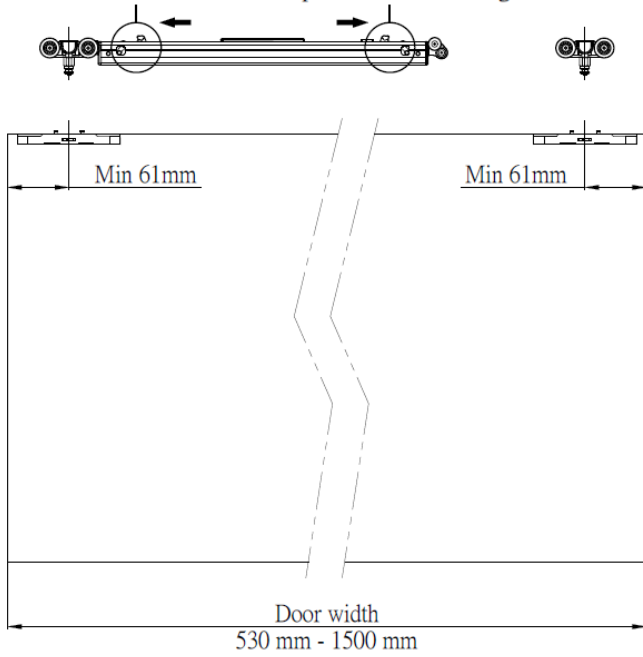
Fitting Instructions

Track Dimension

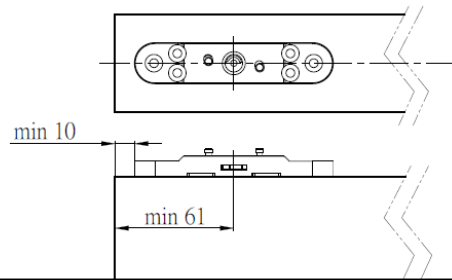
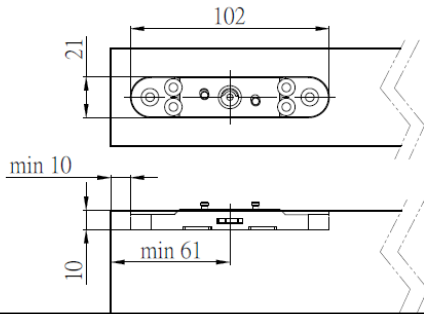


The weight of the door may influence the closing performance of the soft-close kits.
Adjust the positions of the two actuators to attain the desired closing results.

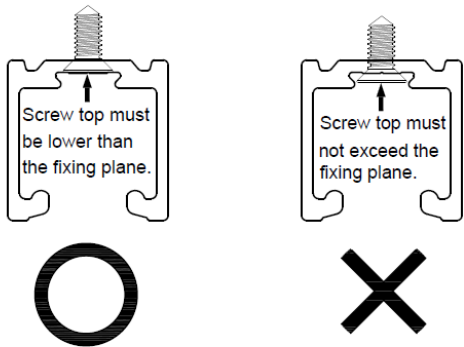
Note: Make sure both sides are opened before installing.



Size of the sink for assembling the quick release base on the door.

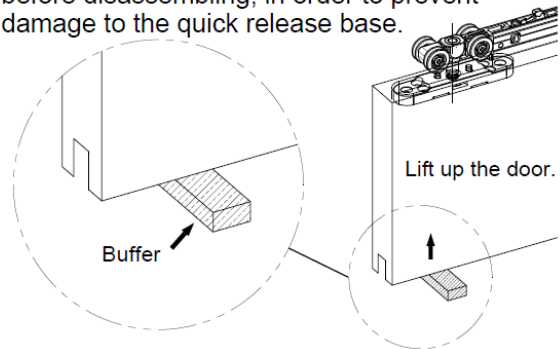


Fixing the rail:

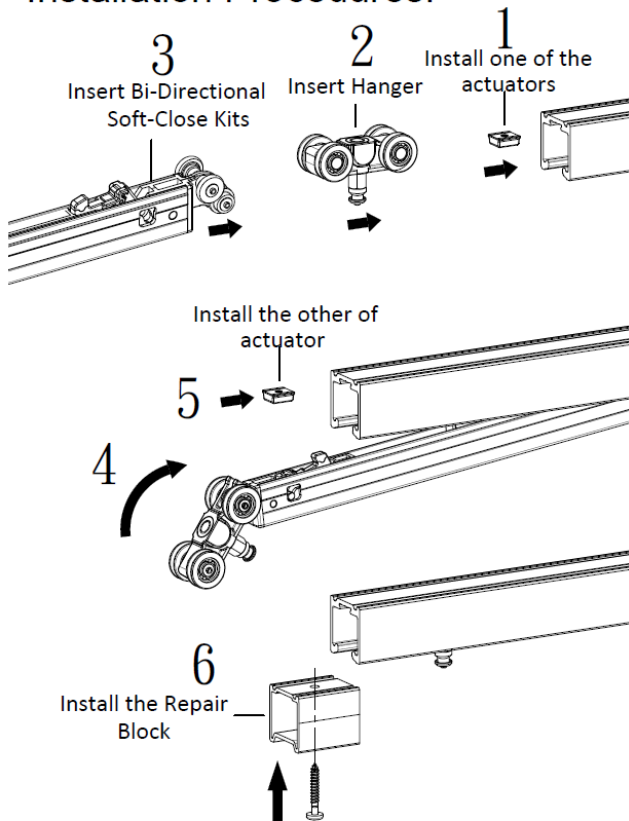


Before disassembling the door:

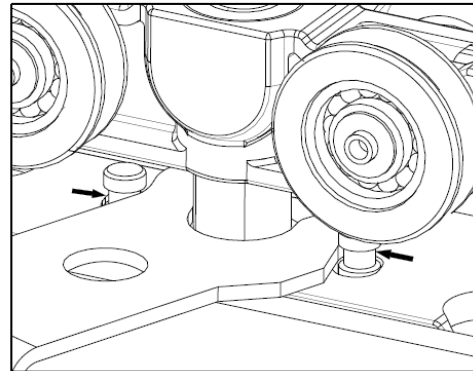
1. Please place buffer under the gap of the door before disassembling, in order to prevent damage to the quick release base.



Installation Procedures:



2. Please put the wrench between the hanger and the quick release base as the picture shows.



3. Please lift up the door before disassembling.

Turn the wrench clockwise about 8 degrees to disassemble the door.

