



[Home](#) » [Sleek Telescopic Drawer Slide \(I\) -35 Kgs](#)



## Sleek Telescopic Drawer Slide (I) -35 Kgs

- Precision telescopic slides.
- Full extension of drawer.
- Load capacity: STDS (I) 35=35Kgs.
- Direct fitting from front.
- Removable drawer with Latch
- System 32 installation.

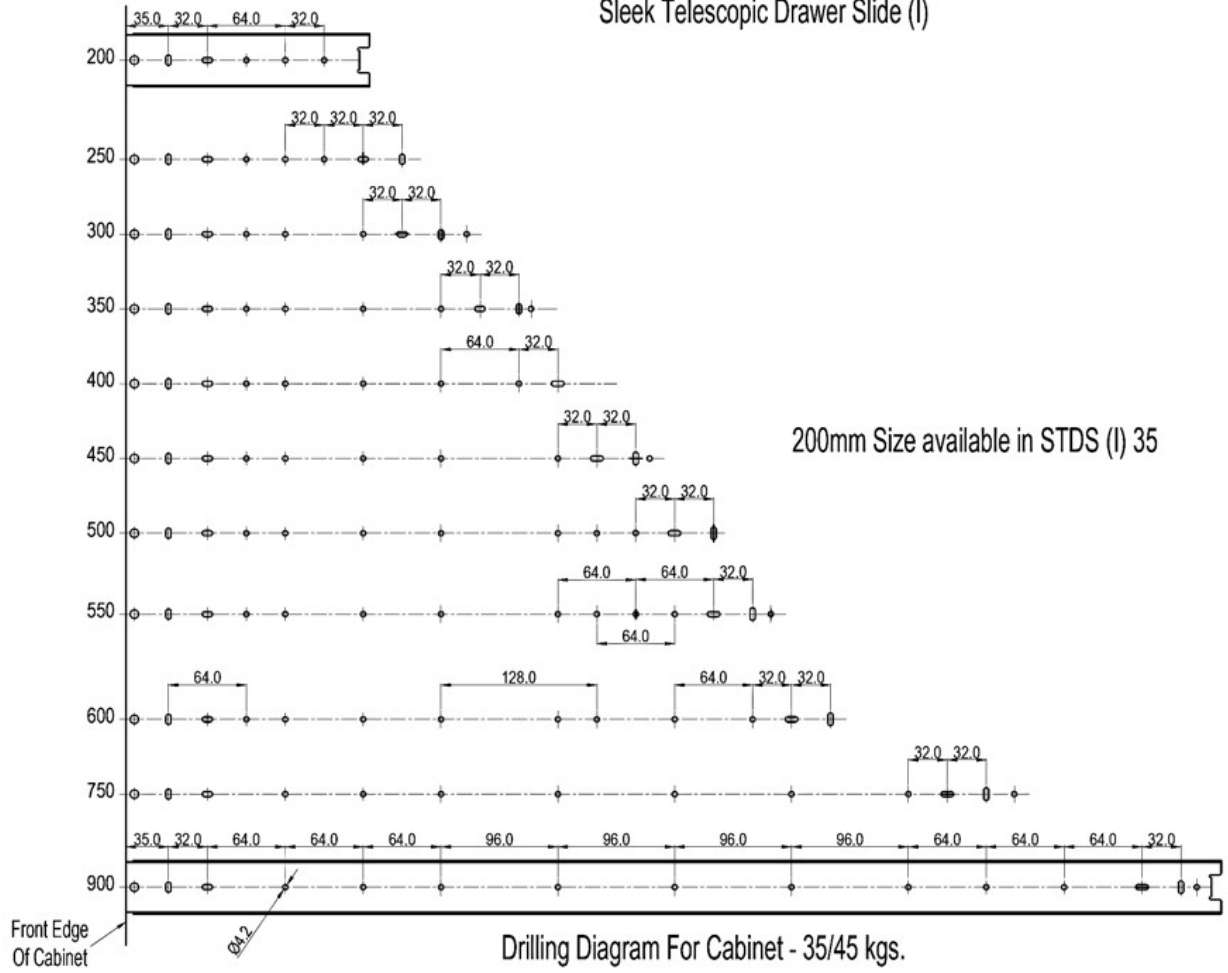
### Specifications

| Model                                  | Code        | Length (mm) | Extension (mm) | Gap/Side (mm) | Max. Load kgs | Finish                  |
|--|-------------|-------------|----------------|---------------|---------------|-------------------------|
| Sleek Telescopic Drawer Slide - (I) 35 | STDS20-I-35 | 200         | 210            | 12.7 to 13.0  | 35 kgs        | Zinc White / Zinc Black |
|  | STDS25-I-35 | 250         | 260            |               |               |                         |
|  | STDS30-I-35 | 300         | 310            |               |               |                         |
|  | STDS35-I-35 | 350         | 360            |               |               |                         |
|  | STDS40-I-35 | 400         | 410            |               |               |                         |
|  | STDS45-I-35 | 450         | 460            |               |               |                         |
|  | STDS50-I-35 | 500         | 510            |               |               | Zinc White / Zinc Black |
|  | STDS55-I-35 | 550         | 560            |               |               | Zinc White / Zinc Black |
|  | STDS60-I-35 | 600         | 610            |               |               | Zinc White / Zinc Black |
|  | STDS75-I-35 | 750         | 760            |               |               | Zinc White              |
| STDS90-I-35                            | 900         | 910         |                |               |               |                         |

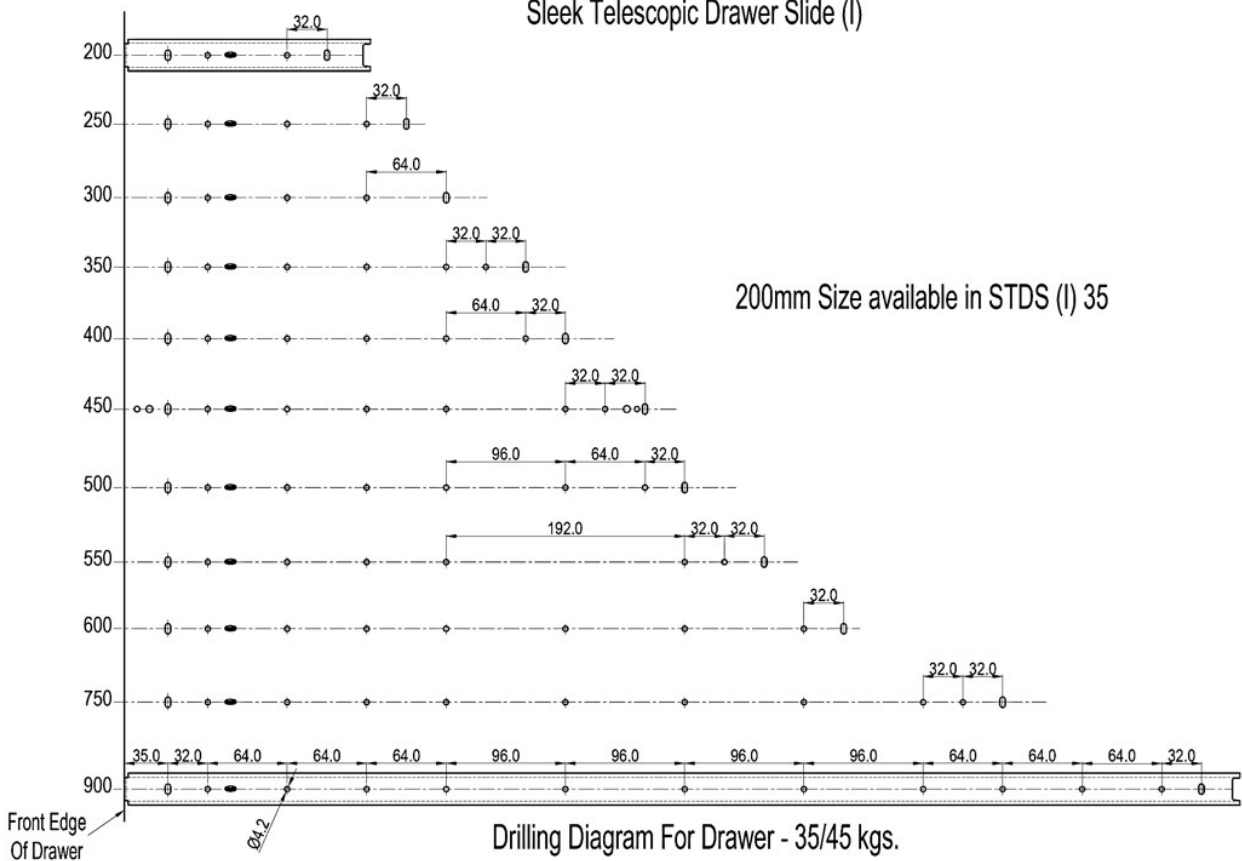
### Fitting Instructions

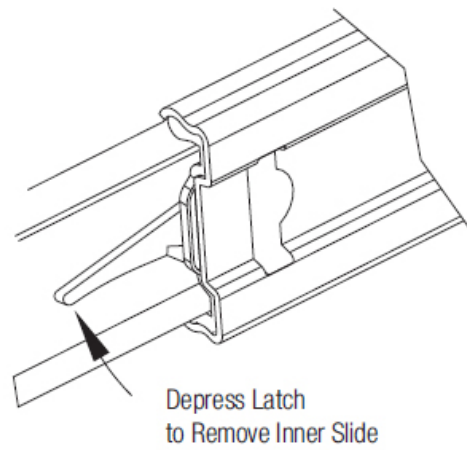
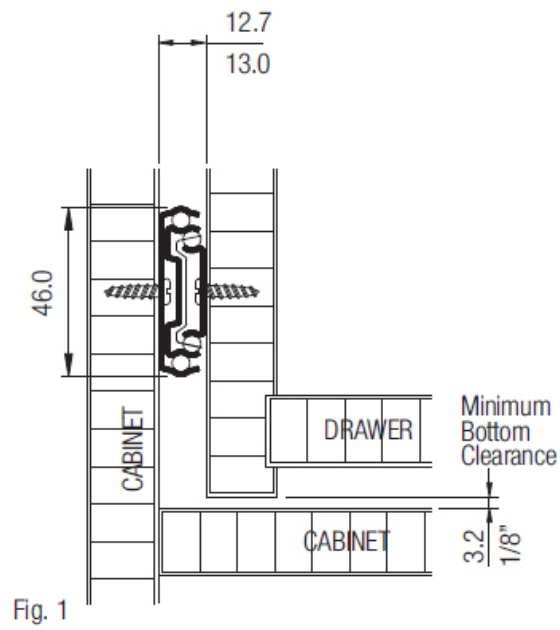
1. To install sleek telescopic drawer slide 12.7 to 13.0mm gap per side is required between cabinet and drawer. (Refer Fig. 1)
2. Depress latch and remove the inner slide. (Refer Fig. 2)
3. Fit outer (fixed) slide onto the inside of the cabinet, access to holes can be got through slots in intermediate slide.
4. Slides should be fitted parallel and screws tightened fully to avoid gaps.
5. Fit inner slide onto the outside of the drawer.
6. Now slide the drawer with inner slide fitted on to the intermediate slides on the cabinet till the latch engages automatically.

### Sleek Telescopic Drawer Slide (I)



### Sleek Telescopic Drawer Slide (I)





## Caution

For efficiency and durability,

- Strictly maintain 12.7 to 13.0mm side gap.
- Fit slides parallel and at equal heights.
- Do not apply paint or polish.
- Do not let saw dust enter into the slides.

## Packing Chart

| Model                                   | Code        | Inner Packing (Kgs.) |        | Outer Packing(Kgs.) |        |
|---|-------------|----------------------|--------|---------------------|--------|
|   |             | Qty                  | Weight | Qty                 | Weight |
| Sleek Telescopic Drawer Slides - (I) 35 | STDS20-I-35 | 10 Sets              | 4.832  | 40 Sets             | 19.928 |
|   | STDS25-I-35 | 10 Sets              | 6.046  | 40 Sets             | 24.752 |
|   | STDS30-I-35 | 10 Sets              | 7.366  | 40 Sets             | 30.086 |
|   | STDS35-I-35 | 10 Sets              | 8.60   | 40 Sets             | 35.186 |
|   | STDS40-I-35 | 10 Sets              | 9.634  | 30 Sets             | 29.452 |
|   | STDS45-I-35 | 10 Sets              | 10.902 | 30 Sets             | 33.298 |
|   | STDS50-I-35 | 10 Sets              | 12.284 | 20 Sets             | 25.454 |
|   | STDS55-I-35 | 10 Sets              | 13.620 | 20 Sets             | 28.132 |
|   | STDS60-I-35 | 10 Sets              | 14.852 | 20 Sets             | 30.642 |
|   | STDS75-I-35 | 10 Sets              | 18.564 | 20 Sets             | 37.842 |
|   | STDS90-I-35 | 10 Sets              | 22.5   | 10 Sets             | 23.18  |