



[Home](#) » [Products](#) » [New Products](#) » [Concealed Hinge - 3D 120](#)



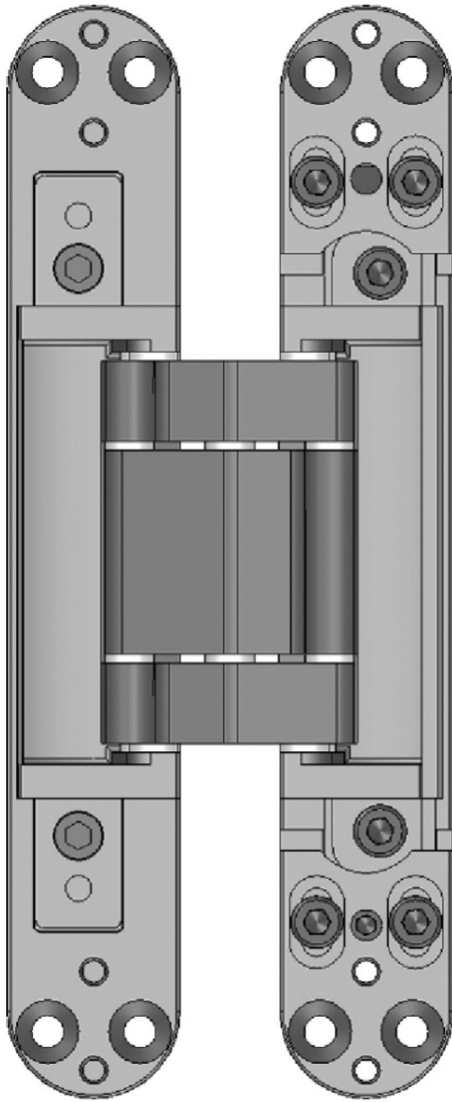
## Concealed Hinge - 3D 120

- For flush wooden door application.
- 3D dimensional adjustment after installation.
- Max Door Weight with 2 hinges - 120 Kgs.
- Min door thickness - 45 mm
- Max door width - 1400 mm
- Max opening - 180°

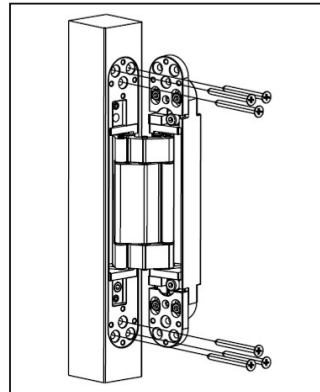
### Specifications

Model	Model Code	Size	Finish
Concealed Hinge -3D (For minimum Door thickness 45 mm)	CH3D-120	Max.Weight /2 Hinge -120Kgs Mini. Door Thick - 45 mm Max. door width - 1400mm Max. opening -180°	Silver

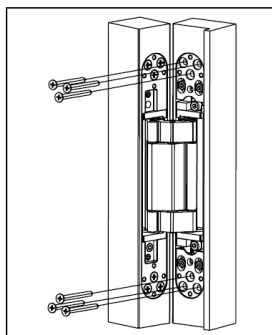
### Fitting Instructions



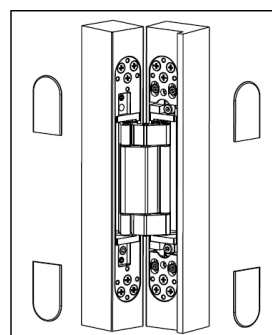
Ininitely variable 3D adjustment:  
 Side and height +/- 3 mm, depth +/- 1 mm  
 Adjustments made using a 4 mm Allen key



Conduct the routing,  
 cutter 24 mm  $\varnothing$  ,  
 collar ring 30 mm  $\varnothing$  ,  
 screw hinge door part (marked as  
 door) using 5 mm  $\varnothing$  wood  
 screws.

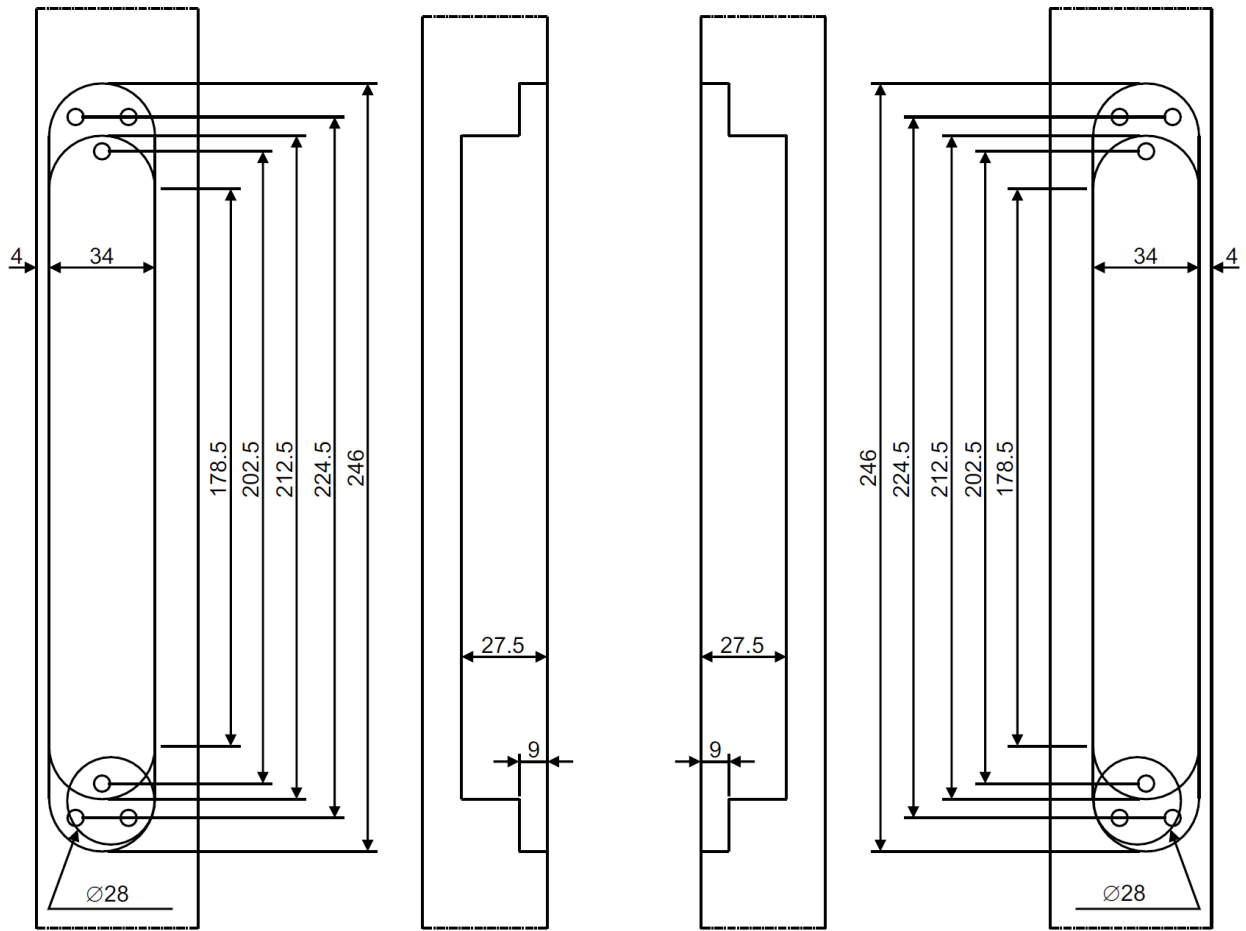


Fasten hinge frame part depending  
 on the frame type.  
 If required, please loose slightly  
 the upper clamping screws for the  
 height adjustment.  
**Block frame:** Screw with 5 mm  $\varnothing$   
 wood screws  
 For further frame types, see page 2



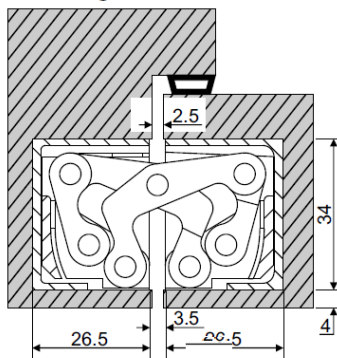
Screw the small cover plates  
 using the enclosed tapping  
 screws onto frame and door part.

Double-check the fastening of all clamping and fixing screws after  
 installation.



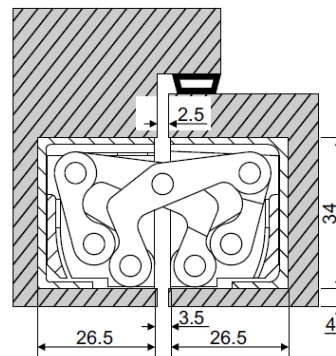
**Installation situations of further frame types**

**Wooden casing frame**



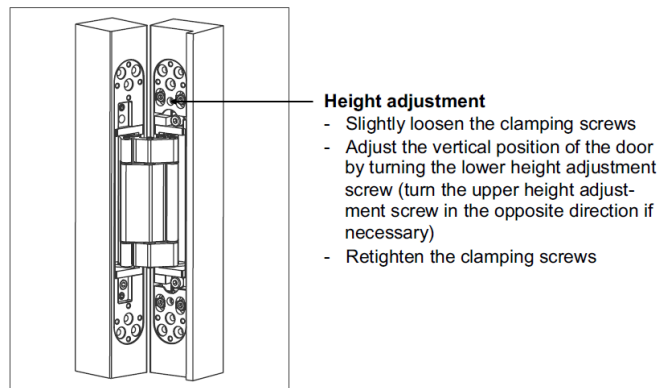
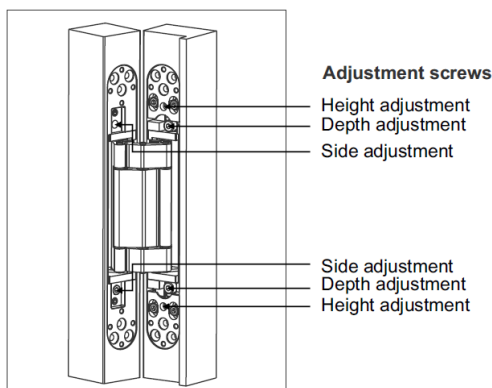
Screw the hinge using the enclosed M 5 screws. Depending on the frame design, use the small spacer plates.

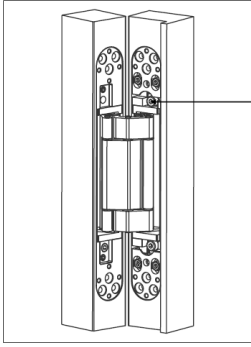
**Steel frame**



The steel frame must be equipped with a receiver for fastening.

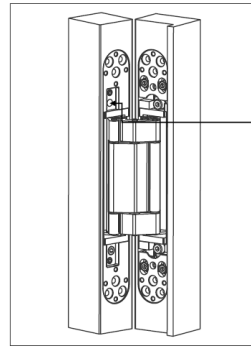
**Aluminium frame: with the receiver of the frame manufacturer**





**Depth adjustment**

- Slightly loosen the fixing screws
- Put the door to the correct compression
- Retighten the clamping screws



**Side adjustment**

- Adjust the adjusting spindles using a 4 mm Allen key
- Twist left - towards hinge (max. 3 mm)
- Twist right - towards lock (max. 3 mm)