



[Home](#) » [Products](#) » [New Products](#) » [Smart Lift Single Leg - Gas Lift Center Pole \(with Table Top\)](#)



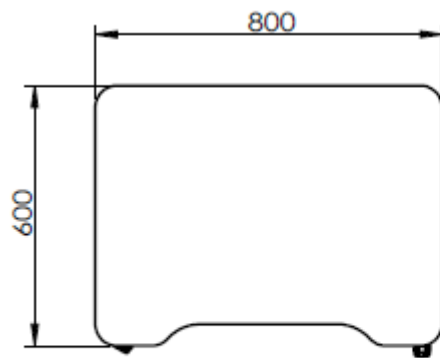
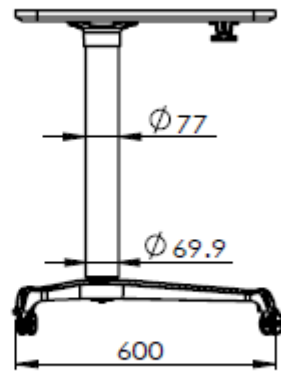
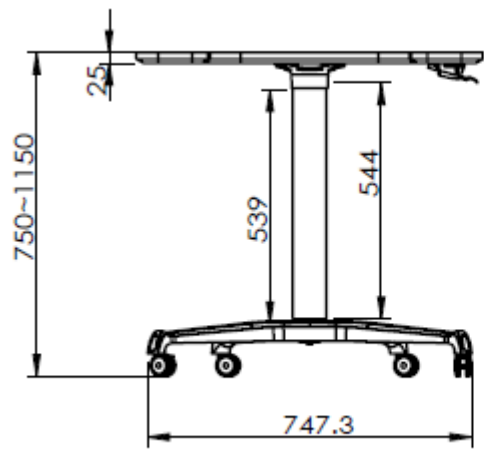
Smart Lift Single Leg - Gas Lift Center Pole (with Table Top)

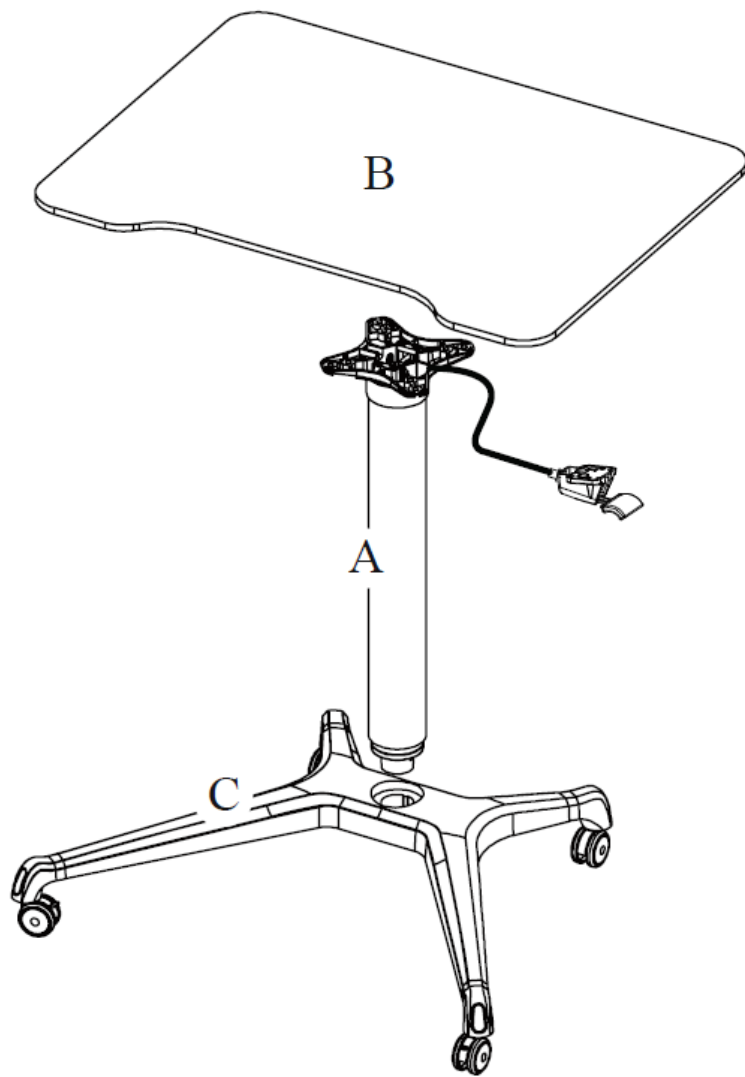
- The height of your worktop should be set according to your height such that you work without reaching or bending; forearms must be parallel to the floor; head, neck and wrists should always be relaxed and not forced into any unnatural or stressful position.
- Smart Lift Table Legs allow you to adjust the height of your desk to enable you to sit at a position that is most comfortable for your body, or stand which increases blood circulation and reduces fatigue.
- Ergonomically designed to enable easy installation and comfortable use.
- This compact single pole height adjustable desk is perfect for multiple applications at home, in hospitals, meeting rooms etc.
- Using gas lift technology, these desks are easy to use and are height adjustable with a simple press of a hand lever
- Comes with table top.
- The height of the table can be adjusted from 760mm to 1150mm (stroke of 390mm)







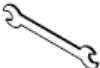



Specifications

Model	Code	Height (mm)	Table Top Size (mm)	Frame Size	Speed	Capacity	Finish
Smart Lift Single Leg – Gas Lift Centre Pole (with table top)	SLSL2 GTT-CP (SL)	760 - 1150	800mm x 600mm x 25mm	(W) 618 mm (D) 545 mm	200 mm/s	Dynamic : 8kg Static: 50 kg	Mechanism – Silver Table Top - MDF

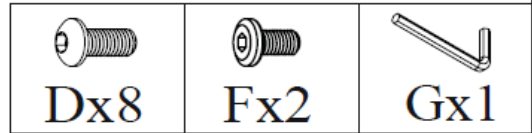
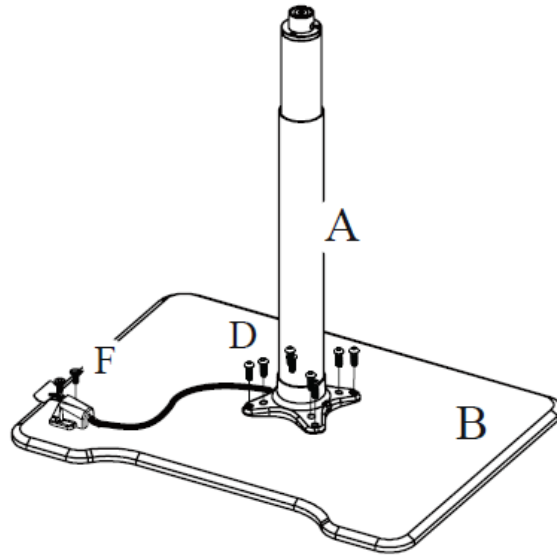
Fitting Instructions



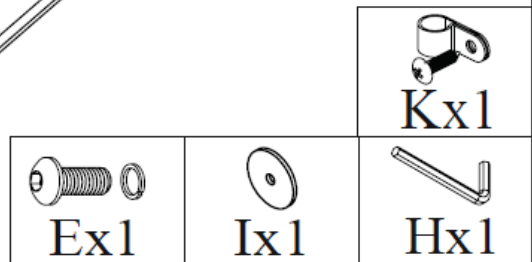
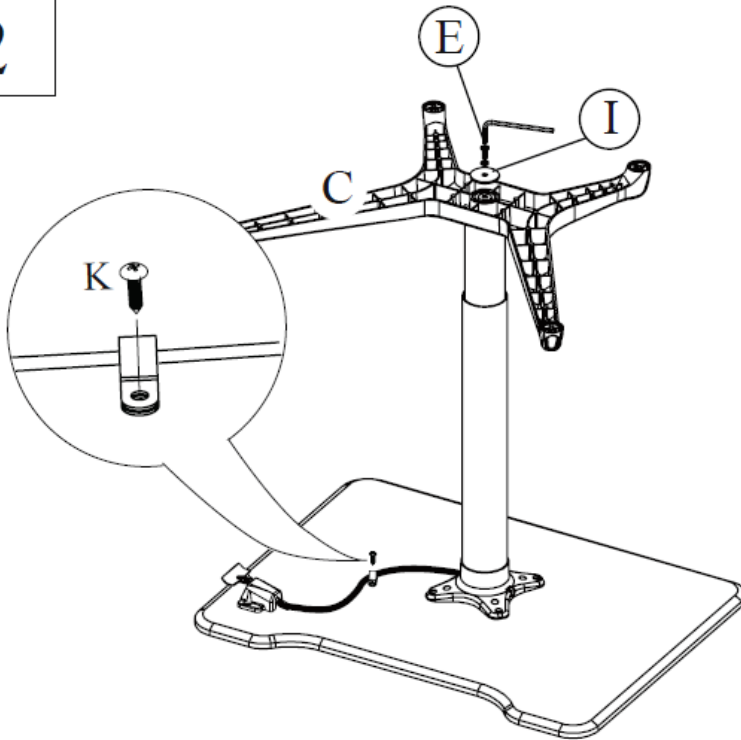


	Dx8	M6x16mm		Ex1	M8X20
	Fx2	M6x12mm		Gx1	4MM
	Hx1	5MM		Ix1	
	Jx1	14MM		Kx1	
	Lx2			Mx2	

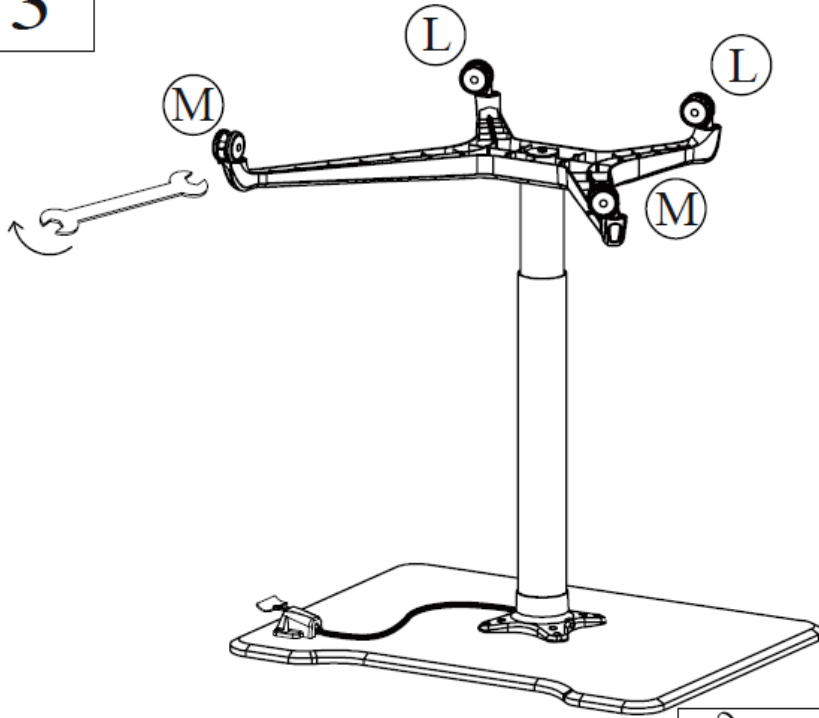
1



2



3



Jx1



Lx2



Mx2

4

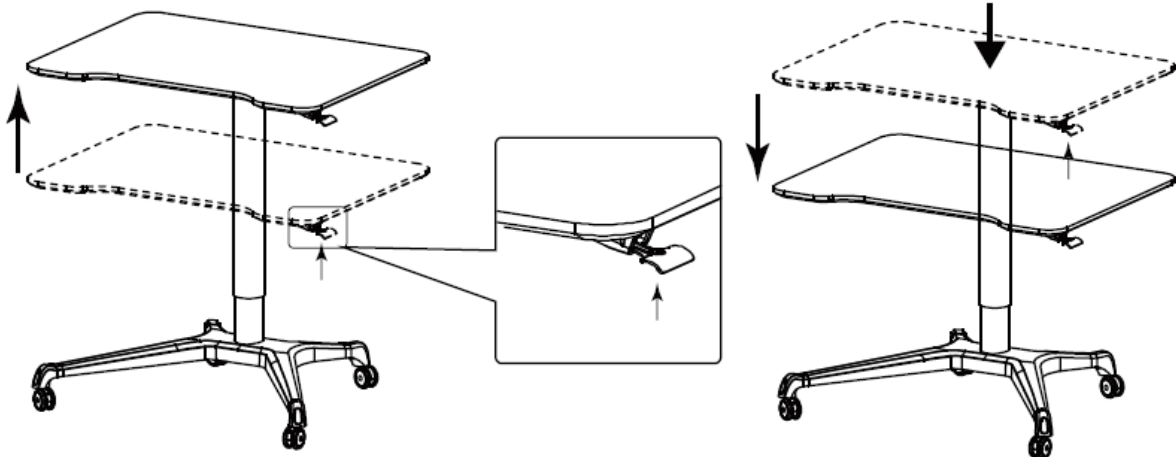


Operating Manual

< 8KG



Attention: it is recommended not to exceed a maximum of 8KG on desk top to allow for easy lifting.



Lift the paddle for lifting the table top.

Lift the paddle and press the table top for downward operation.

Model	Code	Inner Packing (kgs)		Outer Packing (kgs)	
		Qty	Weight	Qty	Weight
Smart Lift Single Leg - Gas Lift Center Pole (with table top)	SLSL2 GTT-CP	-	-	1 Set	19