



[Home](#) » [Products](#) » [New Products](#) » [Smart Lift Table Legs - Gas Lift \(with and without Table Top\)](#)



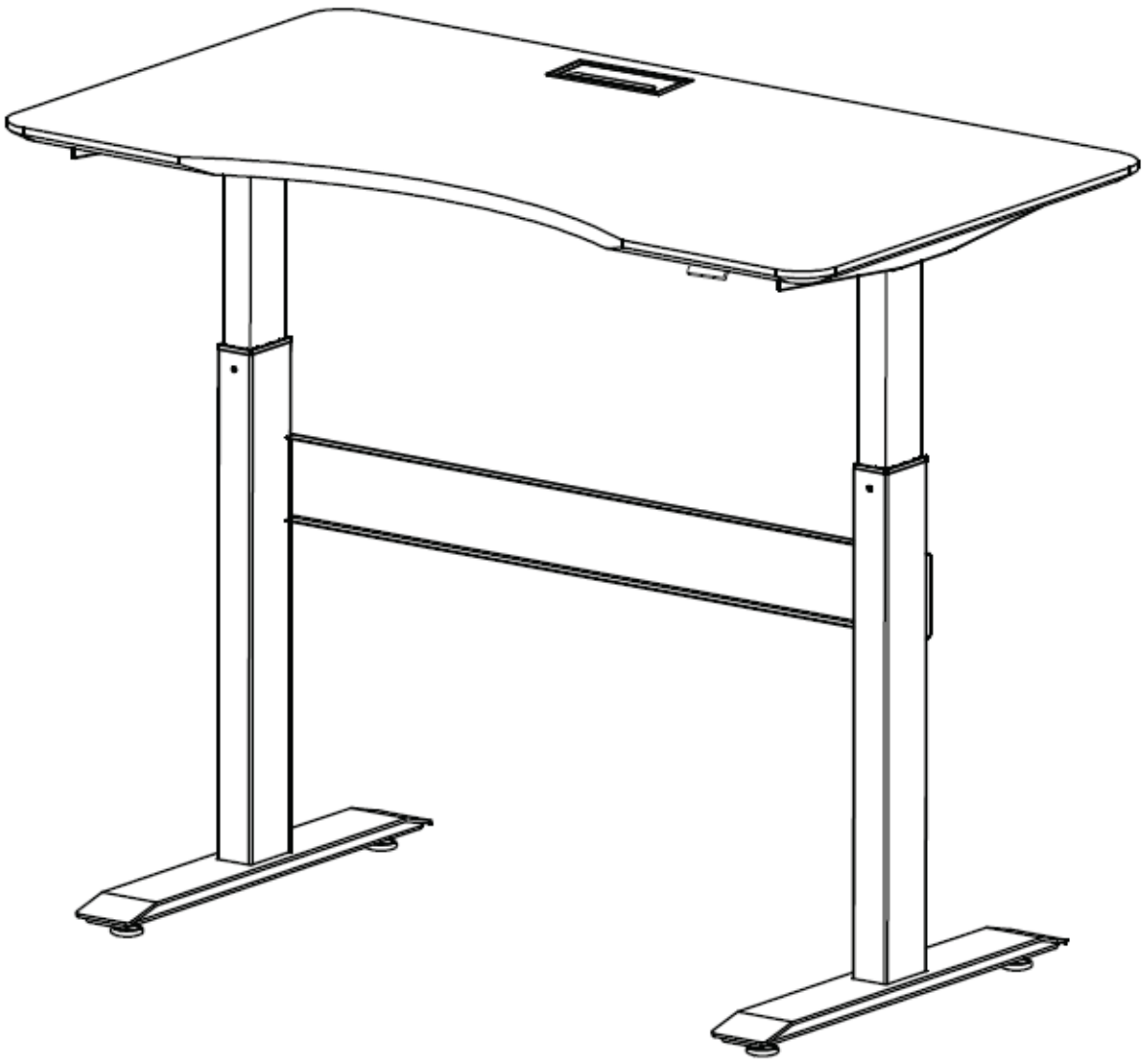
Smart Lift Table Legs - Gas Lift (with and without Table Top)

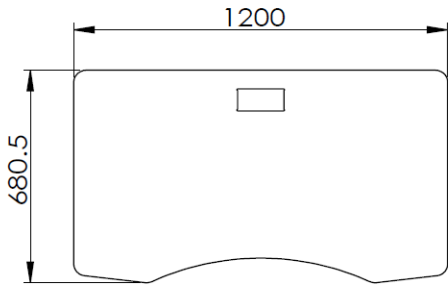
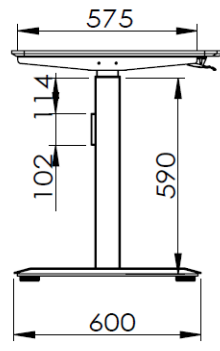
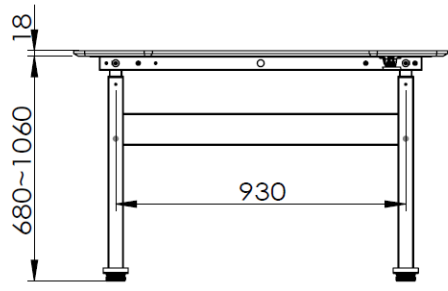
- The height of your worktop should be set according to your height such that you work without reaching or bending; forearms must be parallel to the floor; head, neck and wrists should always be relaxed and not forced into any unnatural or stressful position.
- Smart Lift Table Legs allow you to adjust the height of your desk to enable you to sit at a position that is most comfortable for your body, or stand which increases blood circulation and reduces fatigue.
- Ergonomically designed to enable easy installation and comfortable use.
- Using gas lift technology, these desks are easy to use and are height adjustable with a simple press of a hand lever
- Ideal for offices, institutional and home applications.
- The height of the table can be adjusted from 680mm to 1080mm (stroke of 380mm).

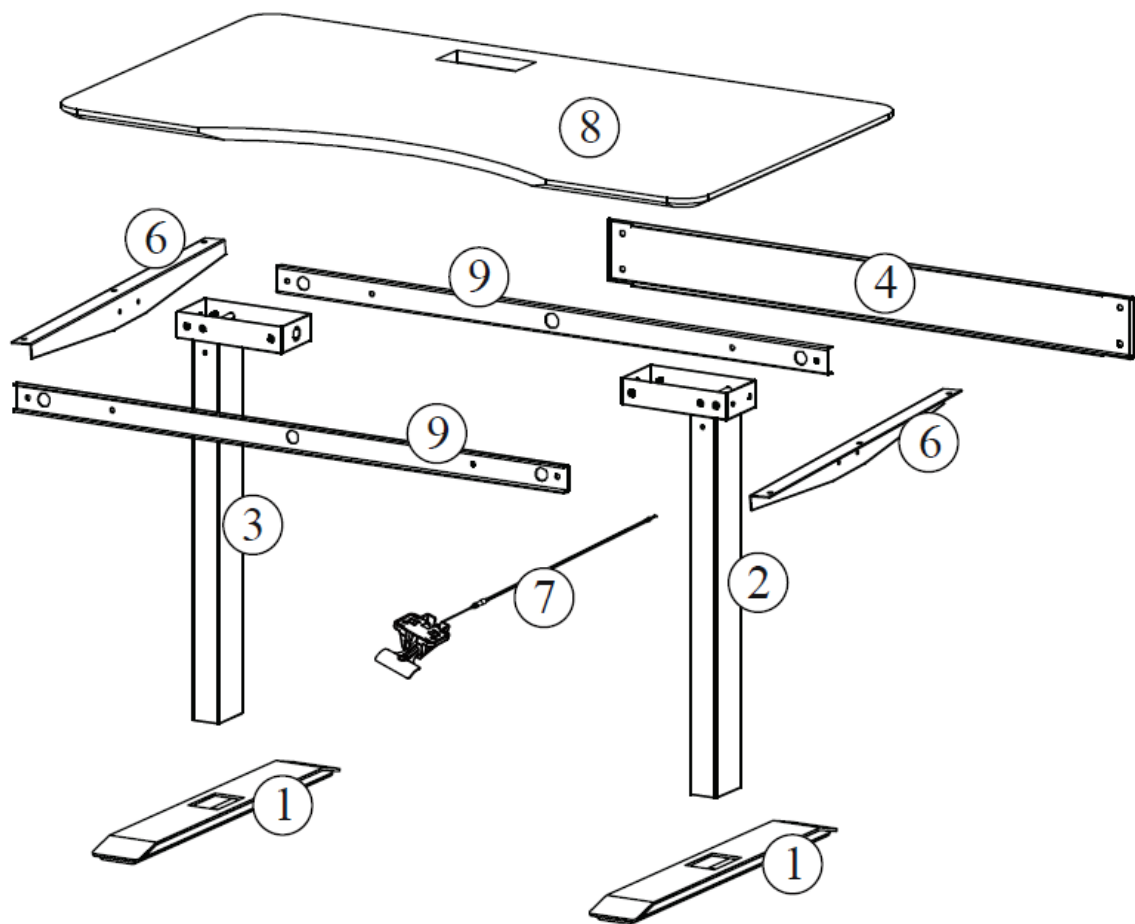
Specifications



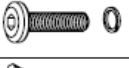


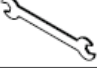


| Model | Code | Size | Finish |
|---|------------|---|--------|
| Smart Lift Table Legs 1200 - Gas Lift (without Table Top) | SLTL2-120G | Height : 680mm to1060mm Width : 1100mm , depth - 600 mm Stroke : 380mm Speed :200mm/s Capacity : Dynamic:15kg Static :100 kg | Silver |
| Smart Lift Table Top | SLTT-120 | 1200 x 680 x 18 mm | |
| Smart Lift Table Legs1500 - Gas Lift (without Table Top) | SLTL2-150G | Height: 680-1060 Width: 1296 Depth: 575 Speed: 200mm/s Capacity: Dynamic: 15/ Static: 100 | Silver |

Fitting Instructions

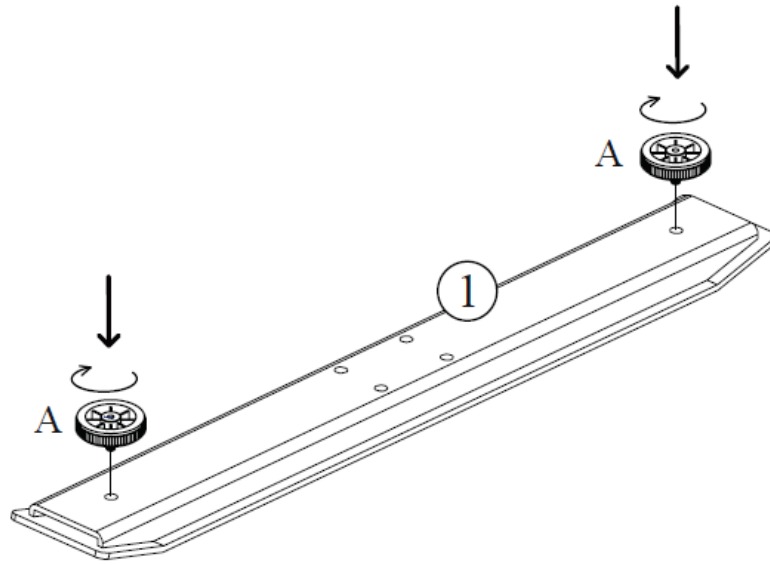






| | | | | | |
|---|-----|---------|---|------|---------|
|  | Ax4 | |  | Bx20 | M6x12mm |
|  | Cx8 | M6x25mm |  | Dx4 | M8x10mm |
|  | Fx1 | 4MM |  | Gx1 | |
|  | Hx3 | |  | Ix3 | M4x13mm |

1



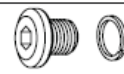
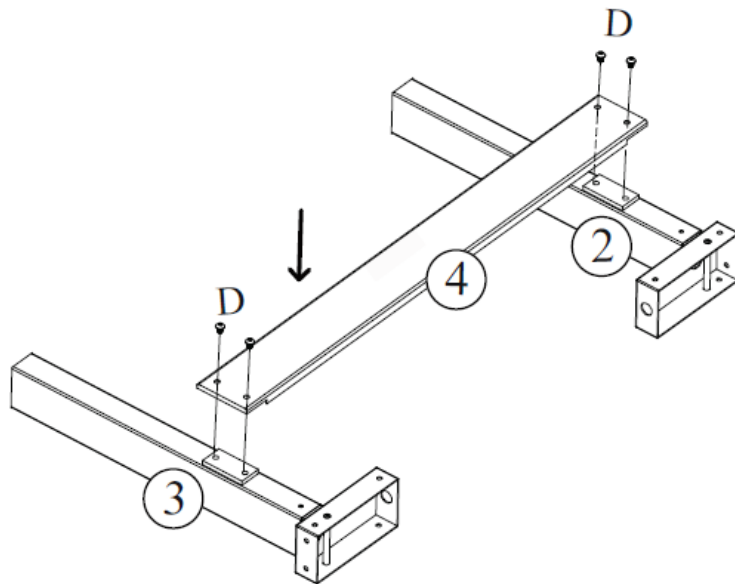
X2



Ax4

2

The screws here don't need to be tightened until step 3!

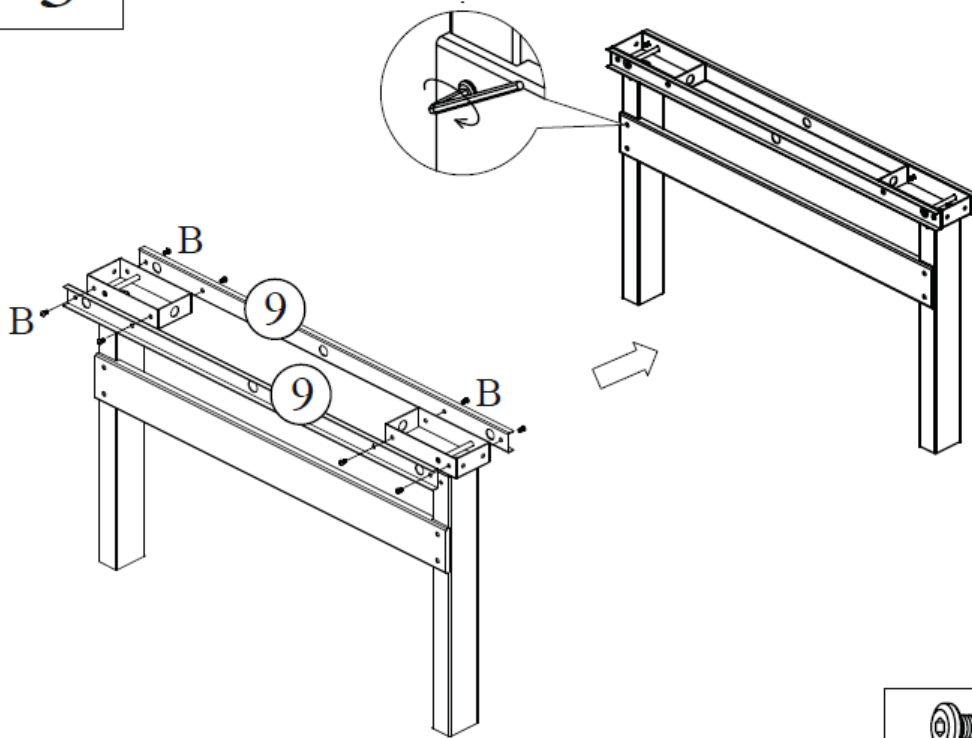


Dx4



Fx1

3

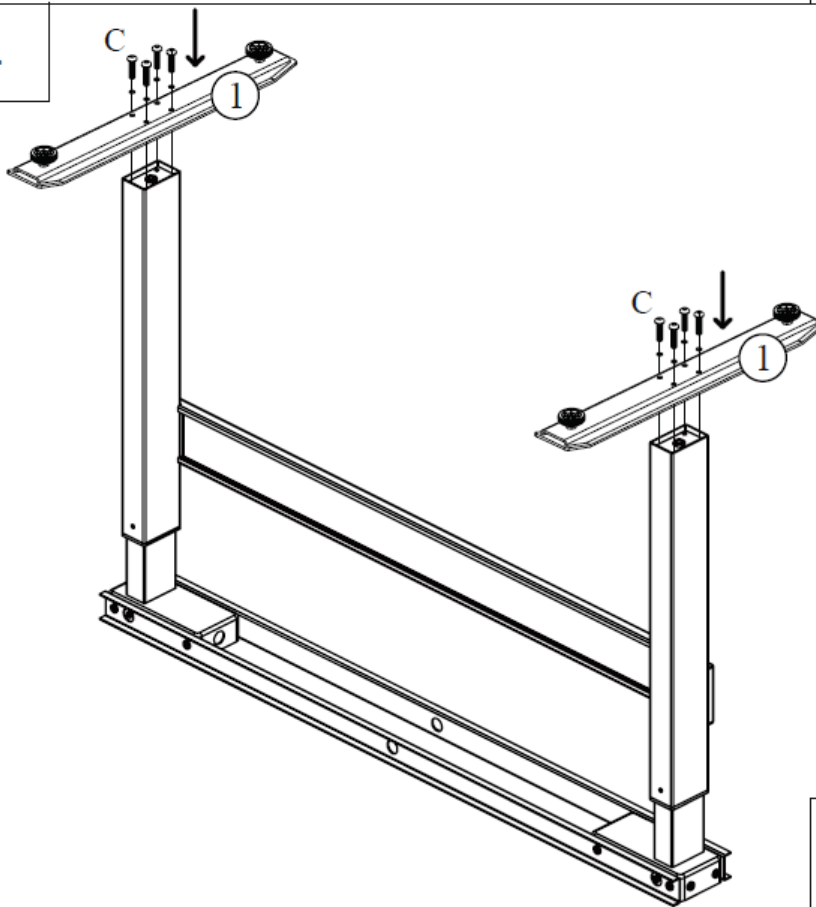


Bx8



Fx1

4

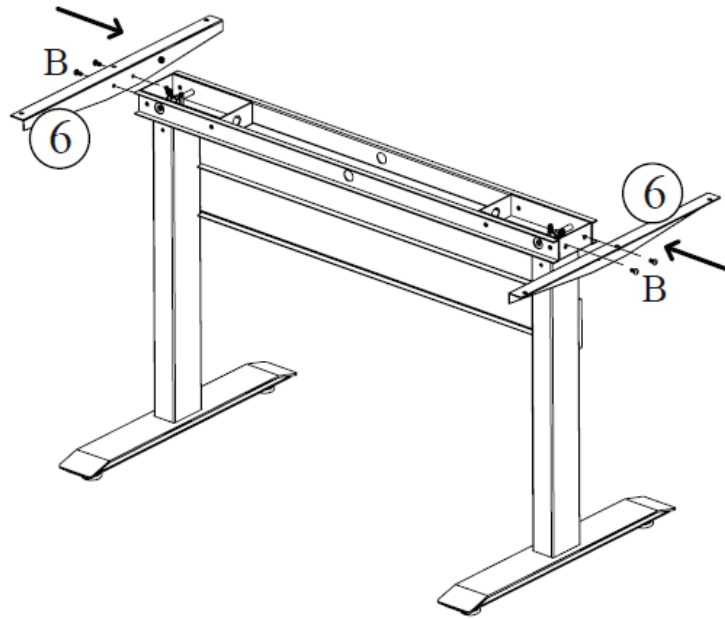


Cx8



Fx1

5

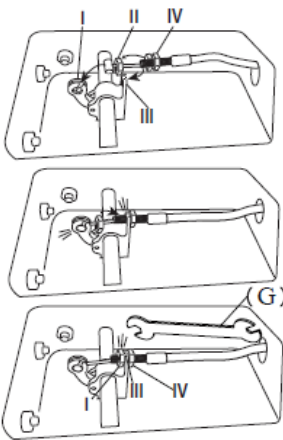
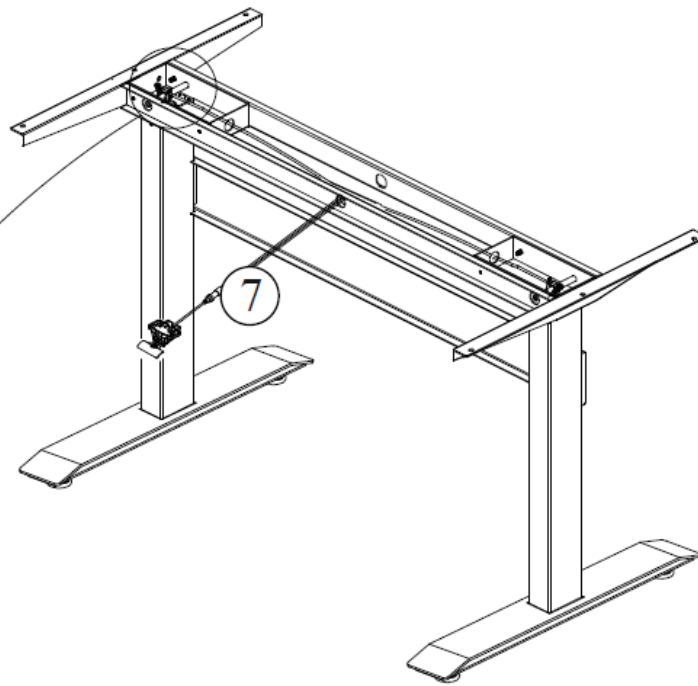


Bx4



Fx1

6

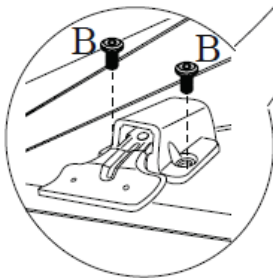
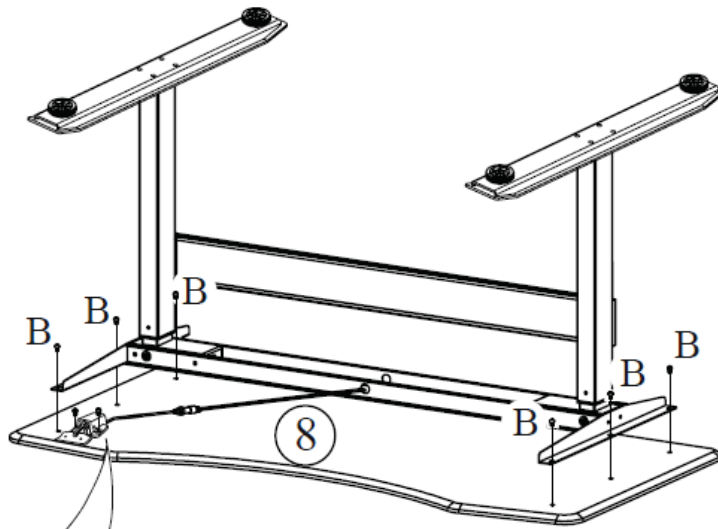


Loosen the nut II first, through the III slot, take cable "T" head through I, adjust screw IV and tighten steel wire (no wobbling to make it straight), then use wrench-G to lock nut-II on the III.



Gx1

7

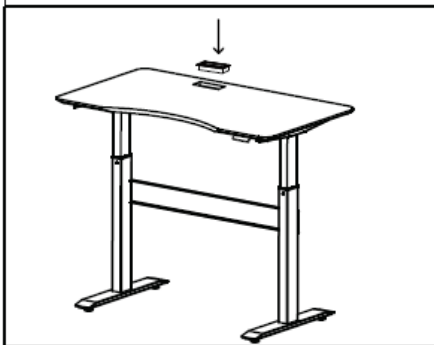
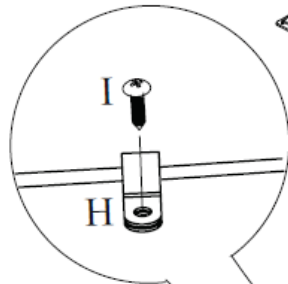
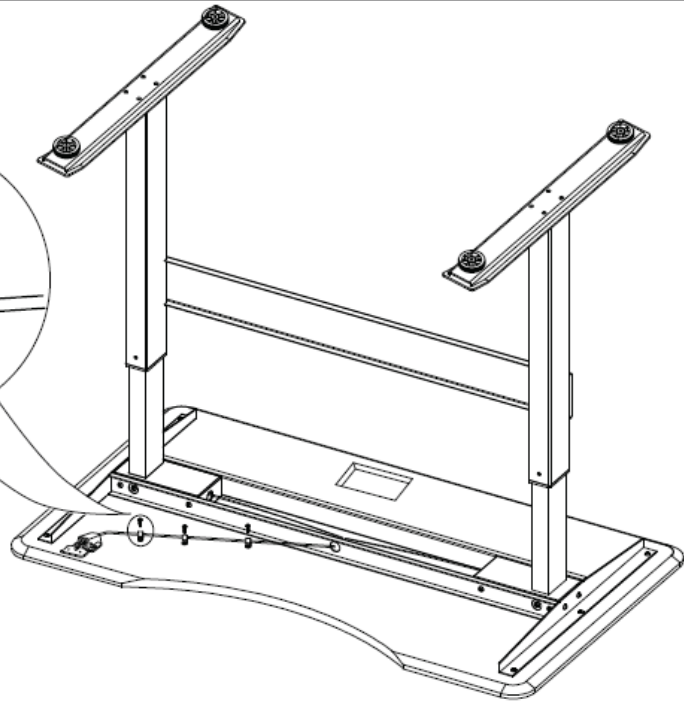


Bx8

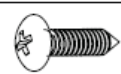


Fx1

8

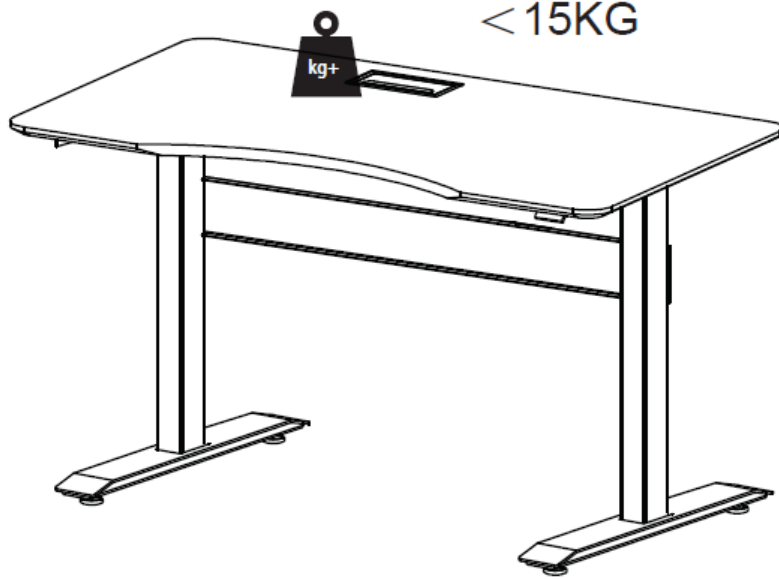


Hx3

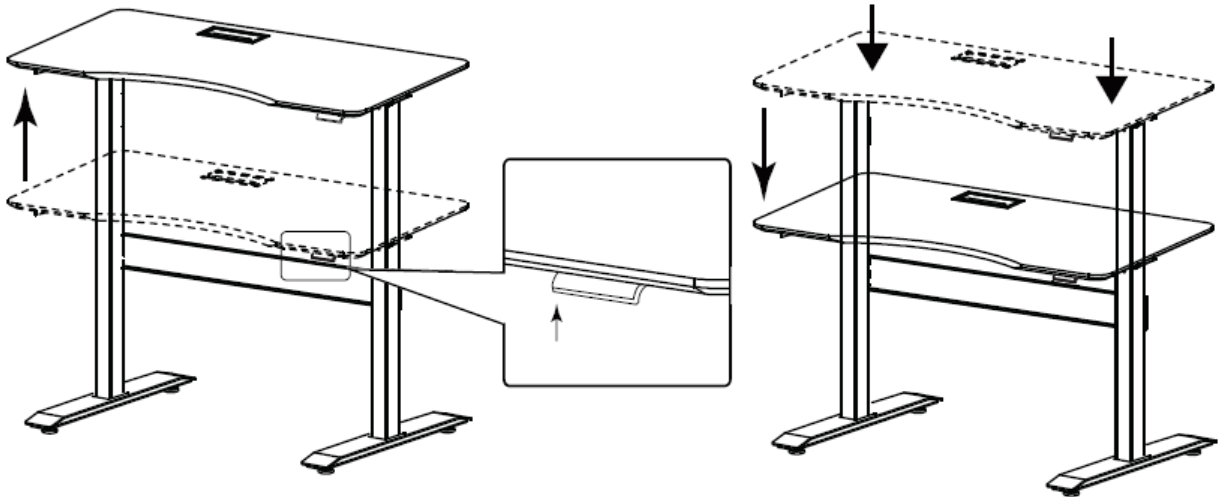


Ix3

Operating Manual



Attention: it is recommended not to exceed a maximum of 15KG on desk top to allow for easy lifting.



Lift the paddle for lifting the table top.

Lift the paddle and press the table top for downward operation.

Caution

1. The maximum static loading weight is 100 Kgs and the dynamic loading weight is 15 Kgs.
2. The desk cannot lift up by itself at the first time after placing some times or temperature is too low, you have to give a little pull force by hands to help it lift up.
3. The desk have the potential danger of tip-over if not used wisely, so children need to be accompanied by adult.

Packing Chart

| Model | Code | Inner Packing (kgs.) | | Outer Packing (kgs.) | |
|--|-----------|----------------------|--------|----------------------|--------|
| | | Qty | Weight | Qty | Weight |
| Smart Lift Table Legs-Gas Lift with table top | SLTL2 GTT | - | - | 1 Set | 36 Kg |
| Smart Lift Table Legs-Gas Lift without table top | SLTL2 G | - | - | 1 Set | 21 Kg |