



[Home](#) » [Products](#) » [New Products](#) » [Sliding Door Fitting 60 Soft Close & Auto Return \(With Quick Fit\)](#)



## Sliding Door Fitting 60 Soft Close & Auto Return (With Quick Fit)

- Single slide with bi-directional soft closing and automatic door closing function
- Full open the door to position with softclose function
- Maximum soft closing travel: 115mm
- Weight Capacity: 30-60kg
  - Door Thickness: Min. 30mm
  - Door Height Adjustment:  $\pm$  3mm with Quick Release Base
- Including Screws: 6 pc's for Aluminium Track; 12 pc's for Quick Release Base

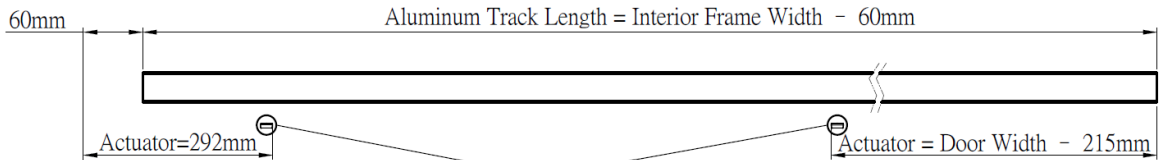
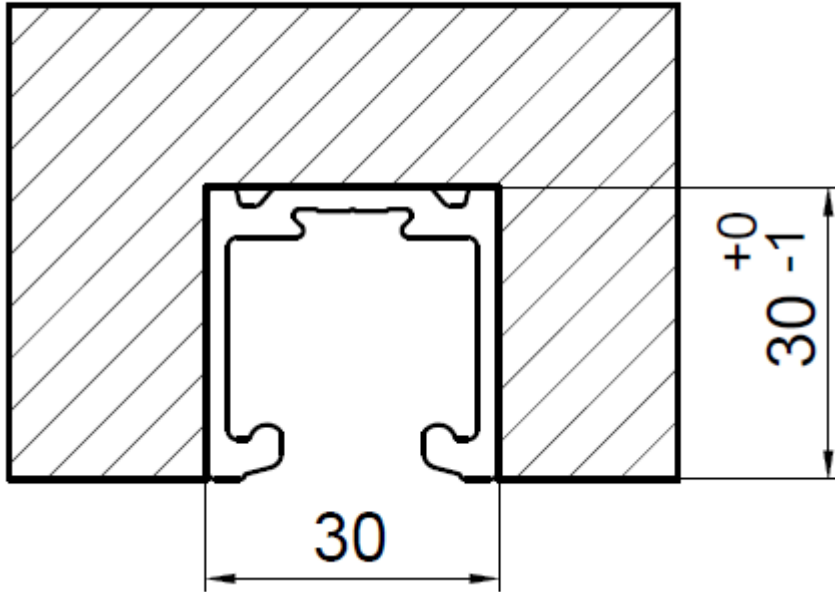
### Specifications

Model	Code	Max. Load	Size (mm)	Finish
Sliding Door Fitting 60 Soft Close & Auto Return (With Quick Fit)	SDF 60 SC AR	60 Kg	-	Zinc White
Track for Sliding Door Fitting 60/100 AT 2	SDF 60-100 AT 2	-	2.44	Anodized Silver
Track for Sliding Door Fitting 60/100 AT 3	SDF 60-100 AT 3	-	3.66	

Contents	Bi-Directional Soft-Close Kits with Automatic Door Closer	Actuator	Allen Key	Adjustment Wrench	Quick Release Base	Hanger	Door Bottom Guide	Stop Key	Aluminum Track
Part									
Quantity	1	2	1	1	2	1	1	1	Not Included

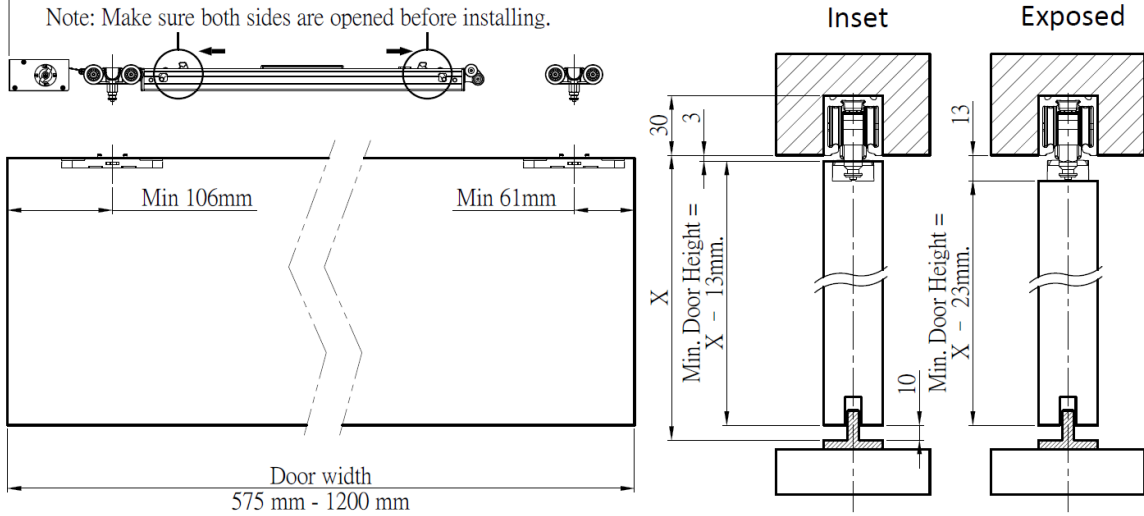
### Fitting Instructions

# Track Dimension



The weight of the door may influence the closing performance of the soft-close kits.  
 Adjust the positions of the two actuators to attain the desired closing results.

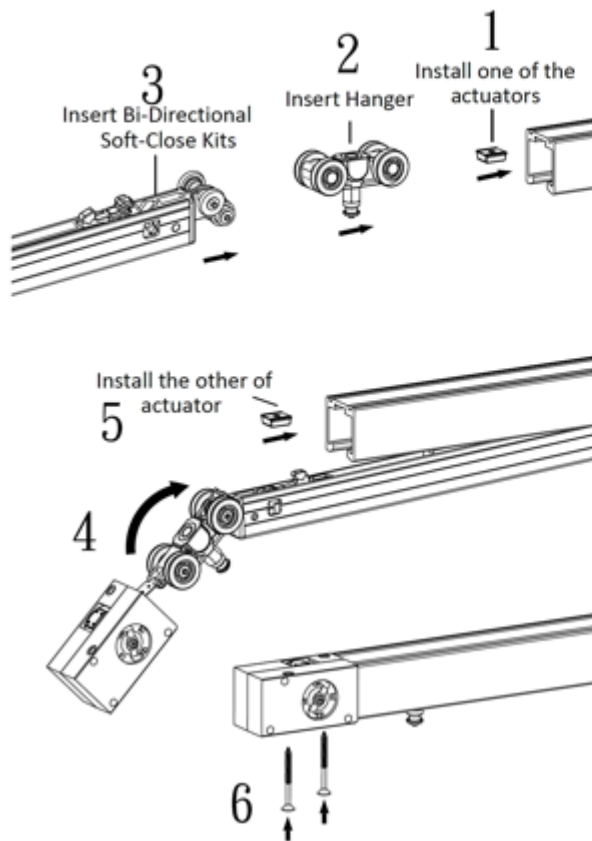
Note: Make sure both sides are opened before installing.



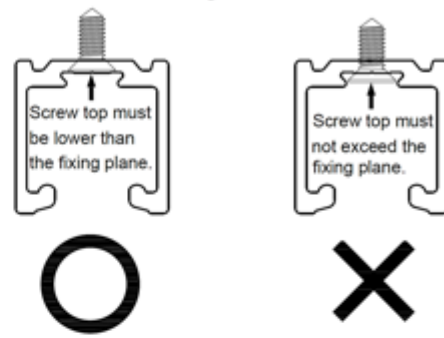
Size of the sink for assembling the quick release base on the door.



### Installation Procedures:

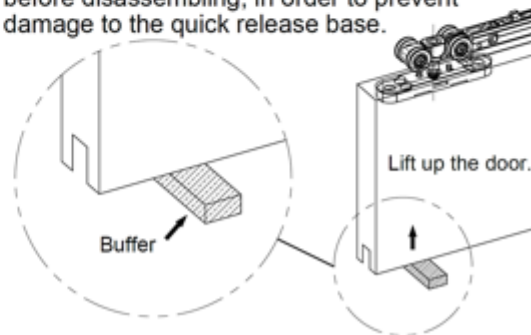


### Fixing the rail:

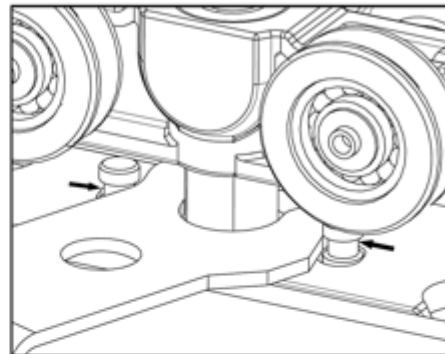


### Before disassembling the door:

1. Please place buffer under the gap of the door before disassembling, in order to prevent damage to the quick release base.

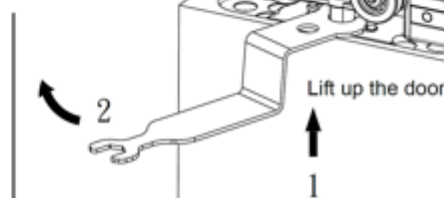


2. Please put the wrench between the hanger and the quick release base as the picture shows.



3. Please lift up the door before disassembling.

Turn the wrench clockwise about 8 degrees to disassemble the door.



### Using the Stop Key:

1. Pull out the soft-close damper about 30 cm before assembling the door.  
(Open the door about 30 cm before disassembling the door.)
2. Insert the Stop Key to the gap of the automatic door closer.
3. Remove the Stop Key after assembling or disassembling the door to restore automatic door closing function.

