



[Home](#) » [Products](#) » [New Products](#) » [Double Corner Pullout Polymer - 450 \(Soft Close\)](#)



Double Corner Pullout Polymer - 450 (Soft Close)

- Thoughtfully designed for corner cabinets.
- Smooth & effortless functioning
- Minimum shutter size required - 432mm
- Made of Polymer
- Trays can be pullout individually
- Customizable height for trays.
- Finish: White and Anthracite

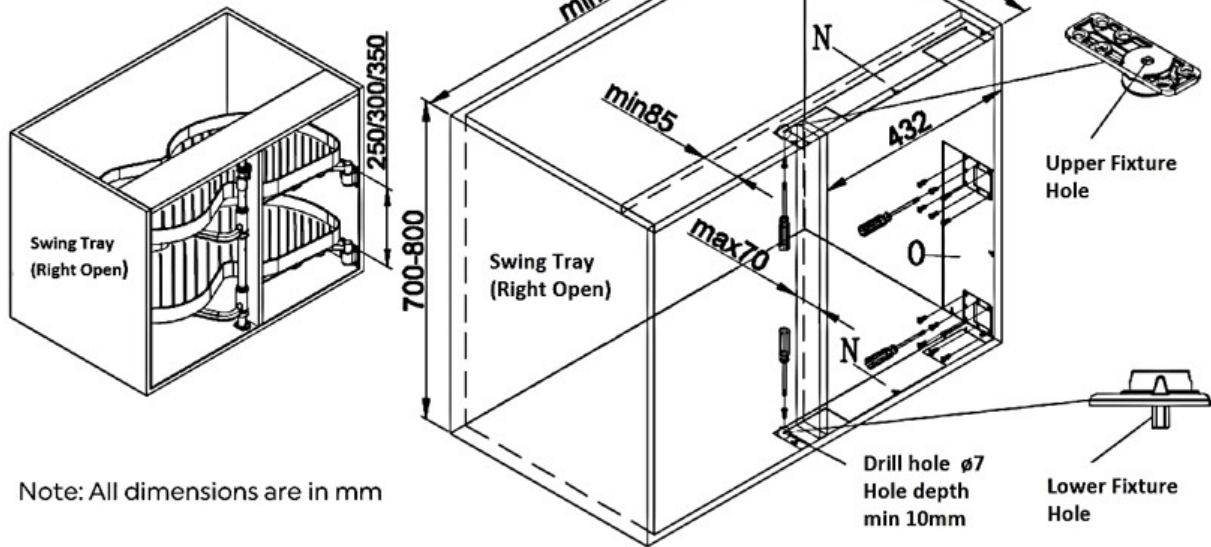
Specifications

| Item | Code | Internal Cabinet Dimension (mm) | Finish |
|---|------------|---------------------------------|--------------------|
| Double Corner Pullout Polymer - 450R (Soft Close) | DCPOP-450R | 840x465x(630-775) | White /Anthracite |
| Double Corner Pullout Polymer - 450L (Soft Close) | DCPOP-450L | 840x465x(630-775) | White / Anthracite |

Fitting Instructions

DCPOP-450R (Soft Close)

1. Installation Position Illustration.



DCPOP-450L (Soft Close)

1. Installation Position Illustration.

