



[Home](#) » [Products](#) » [General Hardware](#) » [Base Plinth](#)



## Base Plinth

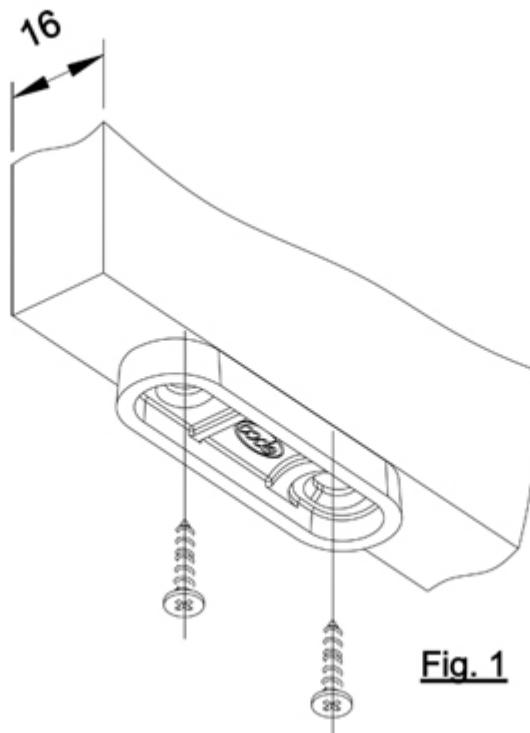
- Specially designed for 16mm board
- Easy to fit.

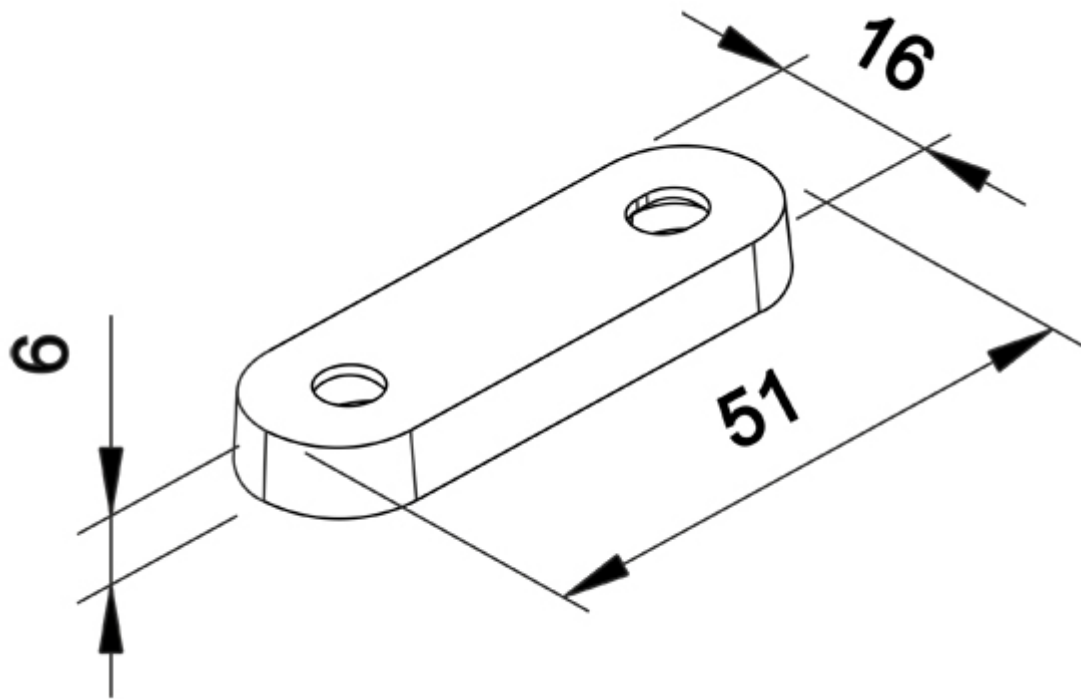
### Specifications

Model	Code	Load / Pcs	Finish
Base Plinth	BP 16	1000 kgs.	Black / White

### Fitting Instructions

1. Fit the base plinth as shown in fig 1





## Packing Chart

Model	Code	Inner Packing (Kgs.)		Outer Packing (Kgs.)	
Base Plinth	BP-16	Qty 100 Nos.	Weight 0.296	Qty 2000 Nos	Weight 6.144