



[Home](#) » [Products](#) » [Drawer Slides](#) » [Futura Smove Drawer Slide](#)



## Futura Smove Drawer Slide

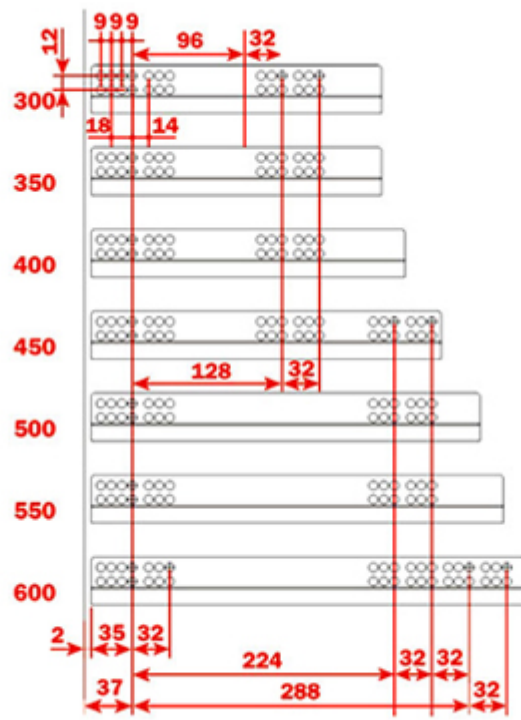
- Dynamic load capacity: N 294 (30kg)
- With Smove decelerated closing
- Safety system that prevents the drawer from turning over during transport
- Drawer height adjustment (+ 3mm)
- Pull drawer without screws
- Finish: bright zinc plate.

### Specifications

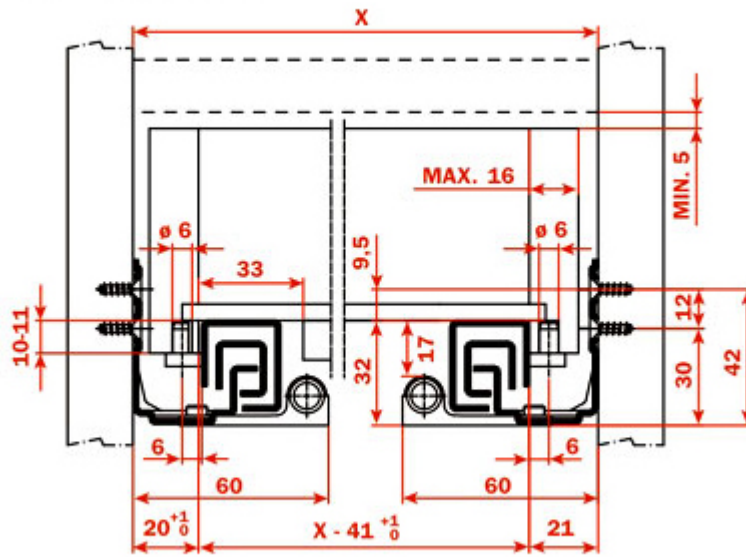
Code No.	Size in mm	Finish
AD FM1-50	500	ZW
AD FM1-55	550	ZW

### Fitting Instructions

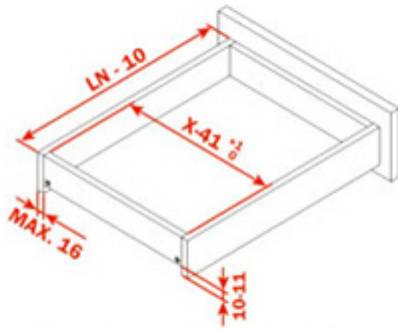
#### Drilling Positions for runner on Cabinet Side



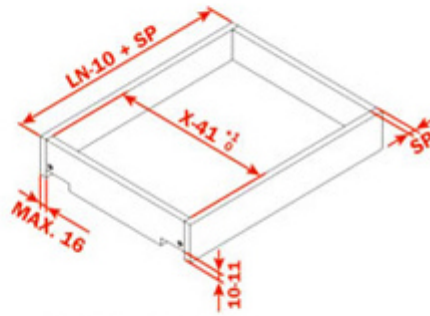
## Dimensions



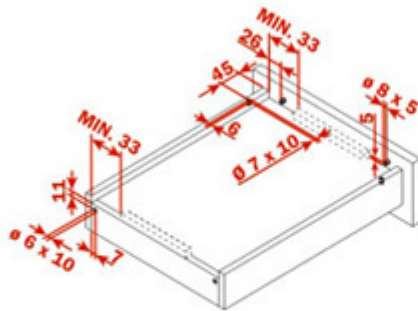
## Drawer Dimensions



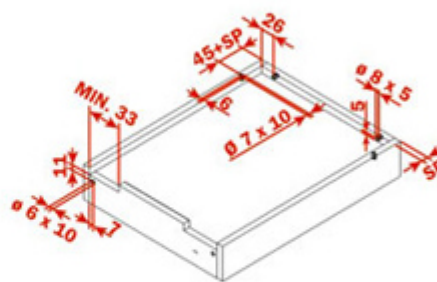
Drawer with frontal  
(view from above)



Internal drawer  
(view from above)



Drawer with frontal  
(view from below)



Internal drawer  
(view from below)

## Packing Chart

Item	Item Code	Size	Inner Packing (Kgs.)		Outer Packing (Kgs.)	
			Qty	Weight	Qty	Weight
Futura Smove Drawer Slide	AD FM1-40	400 mm	1 set	1.730	10 set	17.948
	AD FM1-45	450 mm	1 set	1.923	10 set	19.878
	AD FM1-50	500 mm	1 set	2.126	10 set	21.908
	AD FM1-55	550 mm	1 set	2.246	10 set	23.108