



[Home](#) » [Salice Flap Door System](#)



Salice Flap Door System

- Ideally used for the kitchen overhead cabinets where the entire cabinet space can be utilized.
- The system is with easy opening and soft closing.
- Available either in a set of right or left with various load capacity pistons to choose from as per the load of the shutter.

Specifications

FULL SET* = A (LIFT ARM) + B (GAS PISTON) + C (SMOVE)			
	Item	Code	Finish
A	Flap Door Arm (Left) with Mounting Plate	LS-FPAL1	Grey / Silver
	Flap Door Arm (Right) with Mounting Plate	LS-FPAR1	
B	Gas Pistons (Standard)	150N	LS-GPS-150
		200N	LS-GPS-200
		250N	LS-GPS-250
		300N	LS-GPS-300
		350N	LS-GPS-350
		400N	LS-GPS-400
		450N	LS-GPS-450
		500N	LS-GPS-500
	Gas Pistons (Progressive)	550N	LS-GPS-550
		150N	LS-GPP-150
		200N	LS-GPP-200
		250N	LS-GPP-250
		350N	LS-GPP-350
		450N	LS-GPP-450
500N	LS-GPP-500		
700N	LS-GPP-700		

C	Smove	LS-SMS	Plastic
		LS-SM7	
		LS-SM8	
		LS-SMF	
	Smove for Push Open Flap Door	LS-SMP	

*a) Recommended Overlay Hinges. Options are S9-HS1 (2 or 3 Nos. depending upon the width of the shutter) or S8-HC1 (2 Nos. depending upon the width of the shutter).

b) To make the Lift Systems Push Open, use S2-HPO1 Hinge (2 or 3 Nos. depending upon the width of the shutter) along with the Smove LS-SMP & corresponding selection of STANDARD GAS PISTONS

Correct Product Selection (Based on 18mm particle board). APPLICATION WITH ONLY ONE ARM {(A) LEFT OR RIGHT}

STANDARD PISTON

SHUTTER HEIGHT (mm) \ SHUTTER WIDTH (mm)	300 - 330	360	400
600	+ (LS-GPS-150) + (LS-SMS)	+ (LS-GPS-200) + (LS-SMS)	
900			
1200		+ (LS-GPS-250) + (LS-SMS)	

PROGRESSIVE PISTON

SHUTTER HEIGHT (mm) \ SHUTTER WIDTH (mm)	300 - 330	360	400
600	+ (LS-GPP-150) + (LS-SMS)		
900			
1200			

Correct Product Selection (Based on 18mm particle board). APPLICATION WITH TWO ARMS {(A) LEFT OR RIGHT}

STANDARD PISTON

SHUTTER HEIGHT (mm) \ SHUTTER WIDTH (mm)	480	600	720
600	+ (LS-GPS-200) + (LS-SM7)	+ (LS-GPS-250) + (LS-SM7)	+ (LS-GPS-300) + (LS-SMS)
900	+ (LS-GPS-300) + (LS-SMS)	+ (LS-GPS-350) + (LS-SMS)	+ (LS-GPS-400) + (LS-SMS)
1200	+ (LS-GPS-400) + (LS-SMS)	+ (LS-GPS-450) + (LS-SM8)	+ (LS-GPS-500) + (LS-SM8)

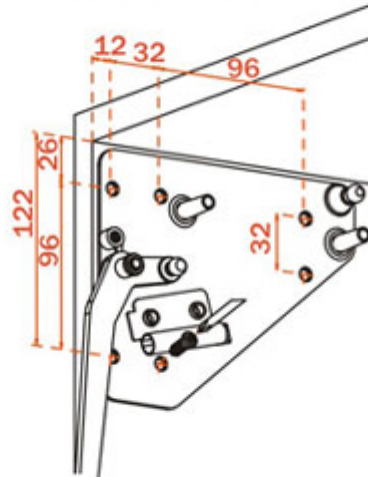
PROGRESSIVE PISTON

SHUTTER HEIGHT (mm) \ SHUTTER WIDTH (mm)	480	600	720
600	+ (LS-GPP-150) + LS-SMS		
900			+ (LS-GPP-150) + (LS-SM8)
1200	+ (LS-GPP-250) + (LS-SMS)		+ (LS-GPP-350) + (LS-SMF)

Fitting Instructions

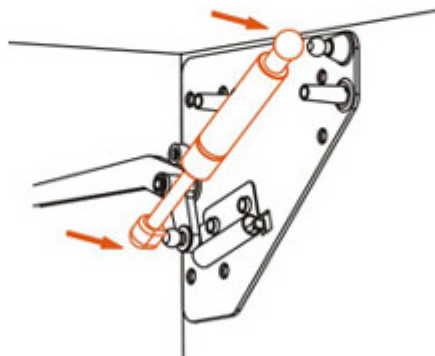
Assembly Instructions

Fixing the support to
the cabinet side

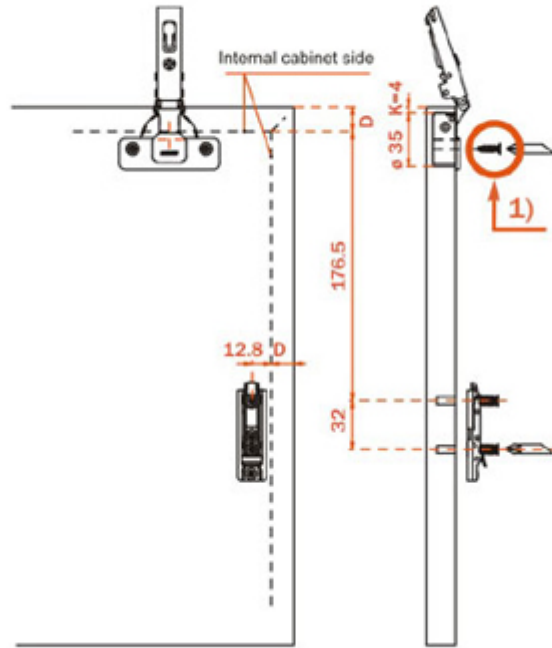


Deploying the piston

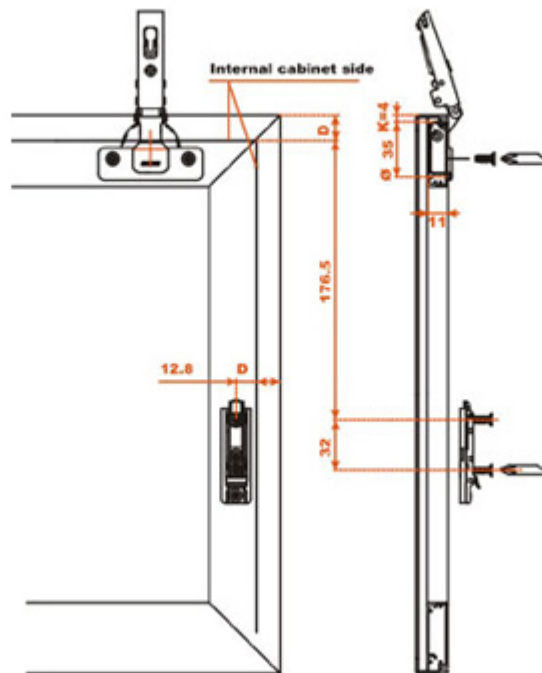
Carefully press each end of the piston
securely onto the pins on the bracket
and lifting arm, ensuring that the body
of the piston is uppermost.



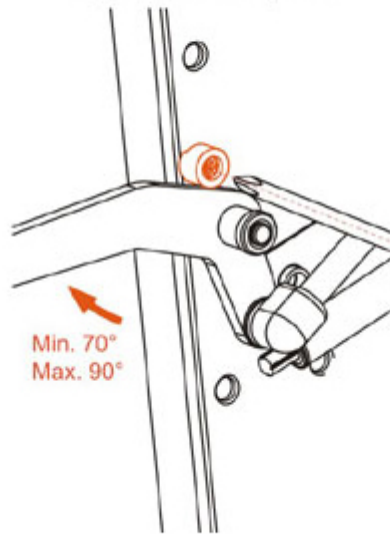
Drilling pattern for wooden door



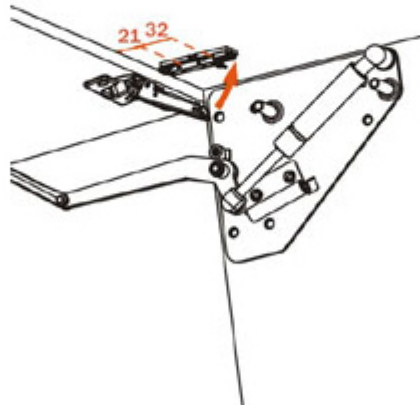
Drilling Pattern for Alu-Framed door - Min width 45 mm.



Adjustment of the opening angle of the door by cam

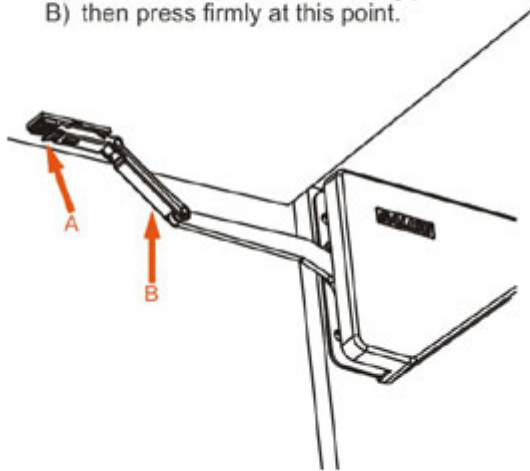


Fitting the door to the cabinet

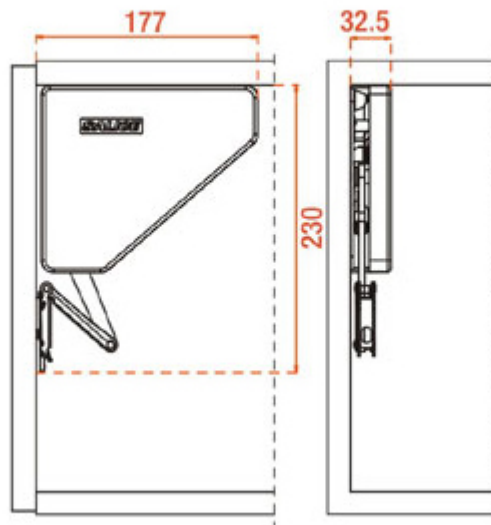


Disassembly

- A) Press the clip of the mounting plate
B) then press firmly at this point.



Dimensions of the system



Packing Chart

Item	Item Code	Size	Inner Packing (Kgs.)		Outer Packing (Kgs.)	
			Qty	Weight	Qty	Weight
Flap Door Arm (Left) with Mounting Plate	LS-FPAL1	-	1 no	0.727	12 no	9.299
Flap Door Arm (Right) with Mounting Plate	LS-FPAR1	-	1 no	0.727	12 no	9.299
Gas Pistons (Standard)	LS-GPS-150	150	1 no	0.103	12 no	1.236
	LS-GPS-200	200	1 no	0.103	12 no	1.236
	LS-GPS-250	250	1 no	0.103	12 no	1.236
	LS-GPS-300	300	1 no	0.103	12 no	1.236
	LS-GPS-350	350	1 no	0.103	12 no	1.236
	LS-GPS-400	400	1 no	0.103	12 no	1.236
	LS-GPS-450	450	1 no	0.103	12 no	1.236
	LS-GPS-500	500	1 no	0.103	12 no	1.236
	LS-GPS-550	550	1 no	0.103	12 no	1.236

Gas Pistons (Progressive)	LS-GPP-150	150	1 no	0.109	12 no	1.308
	LS-GPP-200	200	1 no	0.109	12 no	1.308
	LS-GPP-250	250	1 no	0.109	12 no	1.308
	LS-GPP-350	350	1 no	0.109	12 no	1.308
	LS-GPP-450	450	1 no	0.109	12 no	1.308
	LS-GPP-500	500	1 no	0.109	12 no	1.308
	LS-GPP-700	700	1 no	0.118	12 no	1.416
Smove	LS-SMS	-	1 no	0.006	50 no	0.300
	LS-SM7	-	1 no	0.006	50 no	0.300
	LS-SM8	-	1 no	0.006	50 no	0.300
	LS-SMF	-	1 no	0.006	50 no	0.300
Smove for Push Open Flap Door	LS-SMP	-	1 no	0.006	50 no	0.300