



[Home](#) » [Drawer Partition - Safe Drawer 298 x 165](#)

## Drawer Partition - Safe Drawer 298 x 165

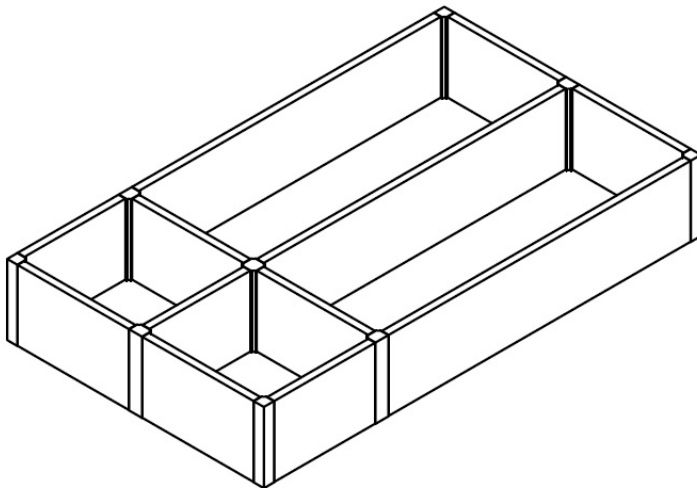


- Specially Designed for Safe drawers.
- Easy to fit and remove.
- Made of rigid PVC.
- Can use upto 2 sets in safe drawer.

### Specifications

Item	Code	Size (mm)	Finish
Drawer Partition - Safe Drawer 298 x 165	DP-SD-2916	298 x 165 x 48	Anthracite

### Fitting Instructions



## Fitting Instructions

1. Partitions can be prepared by joining the plastic inserts & connectors as shown in diagram, (Ref. Fig.1) with the help of the chart.
2. It is recommended to join the partition first & then place it into the safe drawer.

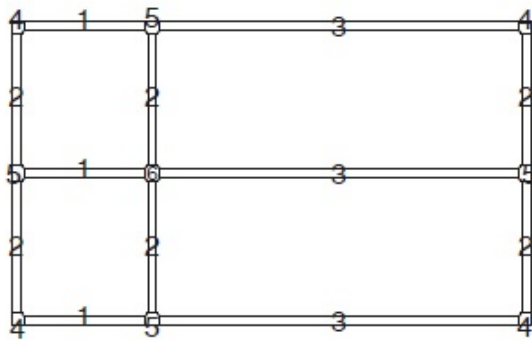


Fig. 1

Description : DRAWER PARTITION - SAFE DRAWER 298 X 165			
PACKING LIST			
DTL NO. SHOWN IN DRG	DESCRIPTION	SIZE / Pc.	QTY.
1	DRAWER PARTITION	69.00 x 48	3
2	DRAWER PARTITION	71.00 x 48	6
3	DRAWER PARTITION	206.00 x 48	3
4	DUAL CONNECTORS	48 D	4
5	TRI CONNECTORS	48 T	4
6	QUAD CONNECTORS	48 Q	1