



[Home](#) » [Double Corner Pullout - Eco 450](#)

Double Corner Pullout - Eco 450



- Thoughtfully designed for corner cabinets.
- Trays can be pullout individually.
- Customizable height for trays.
- Soft closing damper for smooth functioning.
- Load capacity: 15 kg per tray.

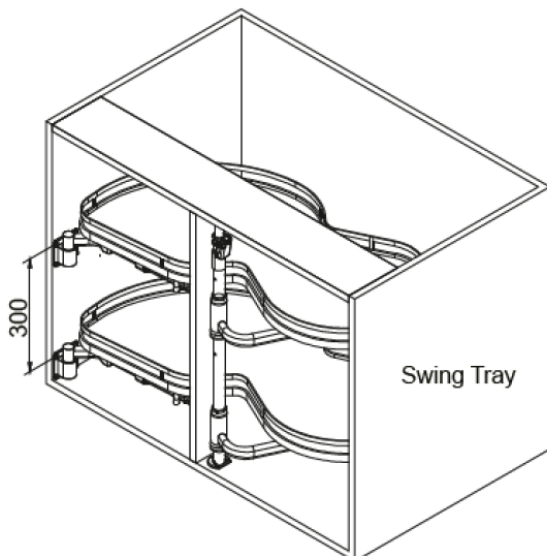
Specifications

Item	Item Code	Size(mm)
Double Corner Pullout -Eco 450 R	E-DCPO-450R	Door width - 450mm
Double Corner Pullout -Eco 450 L	E-DCPO-450L	

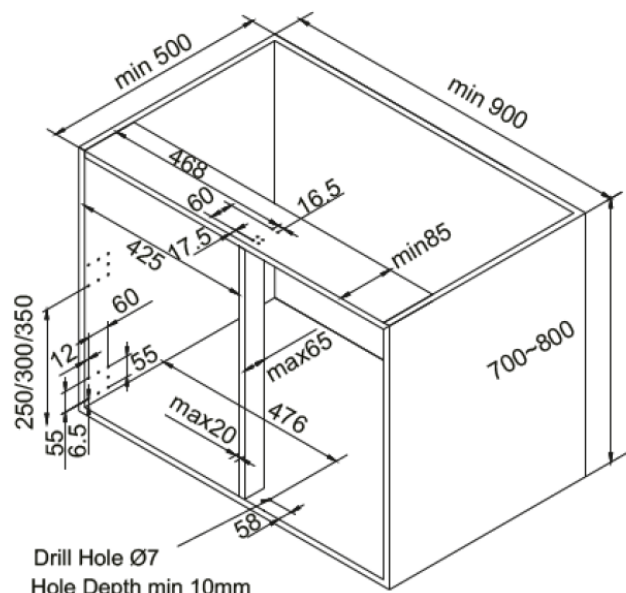
Fitting Instructions

E-DCPO-450L

1. Installation Position Illustration.



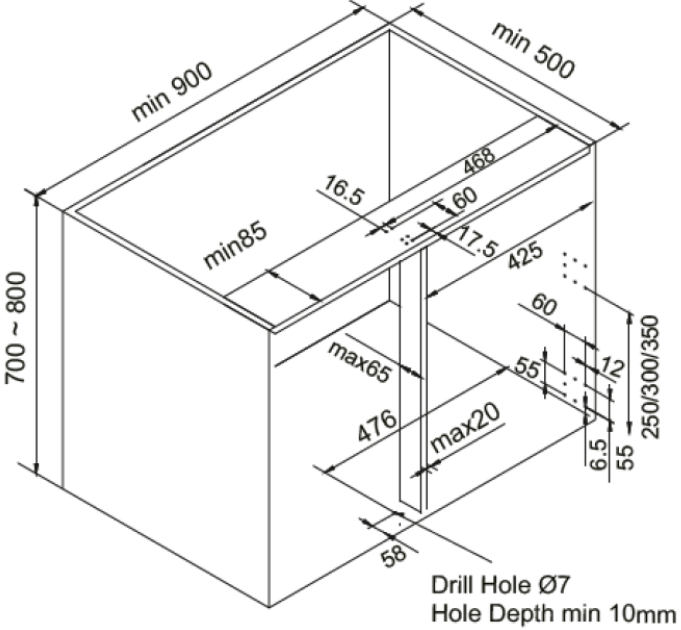
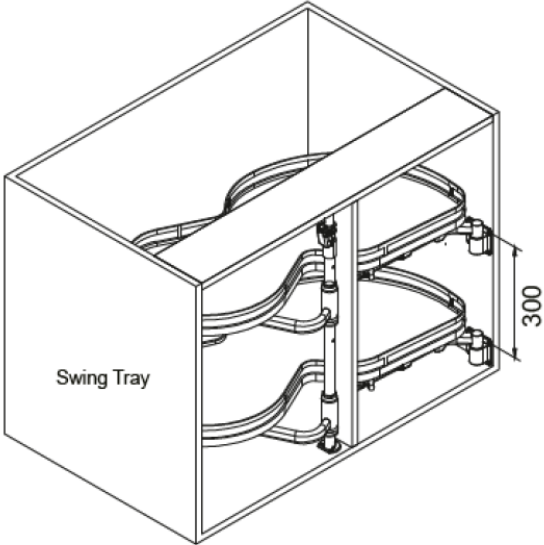
Note : All dimensions are in mm



Drill Hole Ø7
Hole Depth min 10mm

E-DCPO-450R

1. Installation Position Illustration.



Note : All dimensions are in mm