



[Home](#) » [Door Stiffener](#)



Door Stiffener

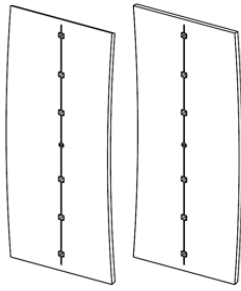
- Adjustment located vertically at the center of the door.
- Symmetrical working processes.
- Fixing with screws.
- Can be used in multiples for wider shutters.
- Adjust the length using tool provided.
- Cover for door stiffener is also available which is easy to fit, remove & re-use.

Specifications

Model	Code	Size (mm)	Finish
Door Stiffener	DSTF1	2010mm	Aluminium / Black
Cover For Door Stiffener	CDSTF1	6mm	Opaline / Silver

Fitting Instructions

1. Cut the door stiffener strip to suit the height of the door as shown in Fig. 1
2. Use two set of door stiffeners if width of door is more than 600mm
3. Cut the round cavities in door shown in Fig. 2
4. Cut a router of 3.5mm x 11 mm deep connecting the \varnothing 26mm cavity as shown in Fig. 3
5. Join the two rods using length adjuster
6. Fit the assembly on shutter using self tapping screws provided
7. Fit cover plates at appropriate distances using self tapping screws
8. Fit Center cover, access to the holes on length adjuster can be made through the oval slot in the center cover
9. Adjust the bend in shutter by revolving the length adjuster by using the key as shown in Fig. 4



Door from 1500mm to 1900mm : cut 380mm
 Door from 1900mm to 2300mm : cut 190mm
 Door from 2300mm to 2700mm : No need to cut

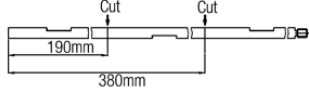


Fig. 1.

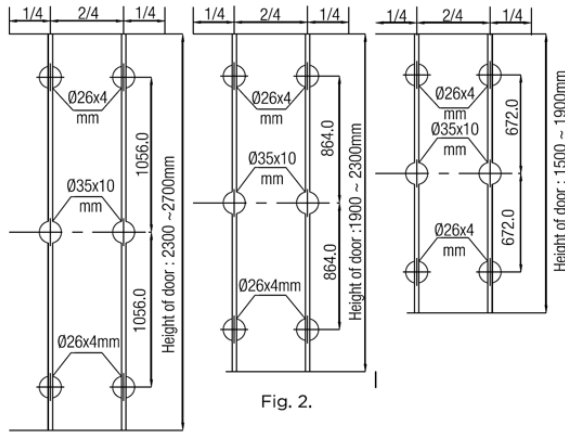


Fig. 2.

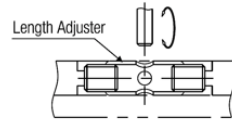


Fig. 4.

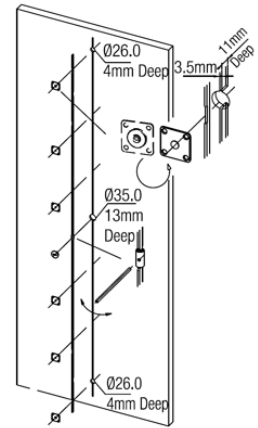
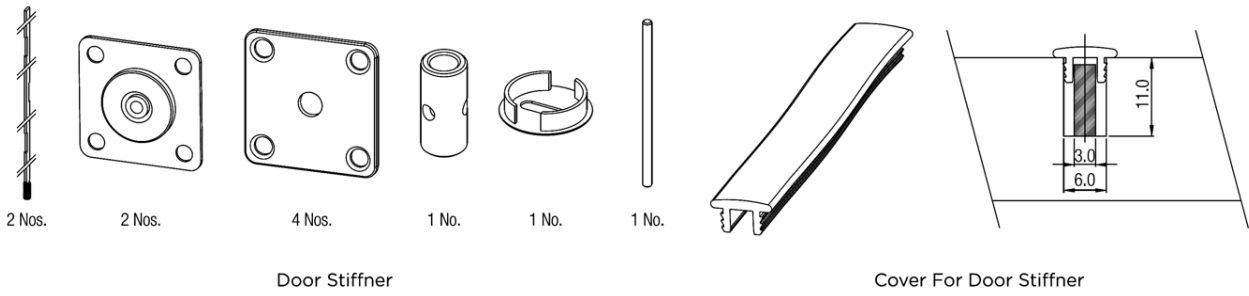


Fig. 3.



Door Stiffener

Cover For Door Stiffener

Packing Chart

Model	Code	Inner Packing (Kgs.)		Outer Packing (Kgs.)	
		Qty	Weight	Qty	Weight
Door Stiffener	DSTF1	-	-	10 Sets	7.2
Cover for Door Stiffener	CDSTF1	5 Nos.	0.125	5 Nos.	0.125