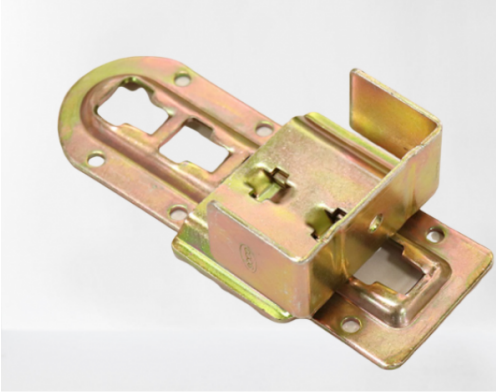




[Home](#) » [Bed Crossbar Clamp \(BCC1\)](#)

Bed Crossbar Clamp (BCC1)



- Solution For Bed Central Support.
- It Provides Strength.
- Height Adjustment provided.
- System 32 compatible.
- Load Capacity - Gross 200 kgs. / set
- Easy to mount & use.
- Available in Zinc Plated Yellow finish.

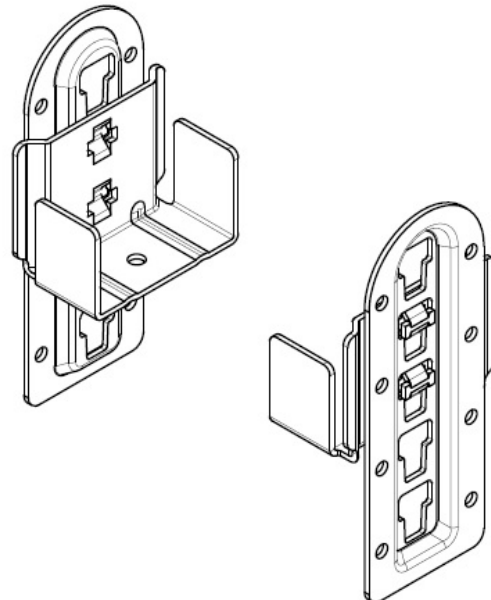
Specifications

Item	Code	Size(mm)	Finish
Bed Crossbar Clamp	BCC1	140 x 64	Zinc Yellow

Fitting Instructions

Fitting Instructions

1. Fit the Fix Bracket on inner side of bed with the help of screws as shown in fig.1. Ensure both the fix bracket are at equal distance & equal heights from the inner edge of bed. (Screws not provided)
2. Removable bracket to be inserted into fix brackets. (Height adjustment possible)
3. Fit the wooden support in assembly as shown in fig.2.



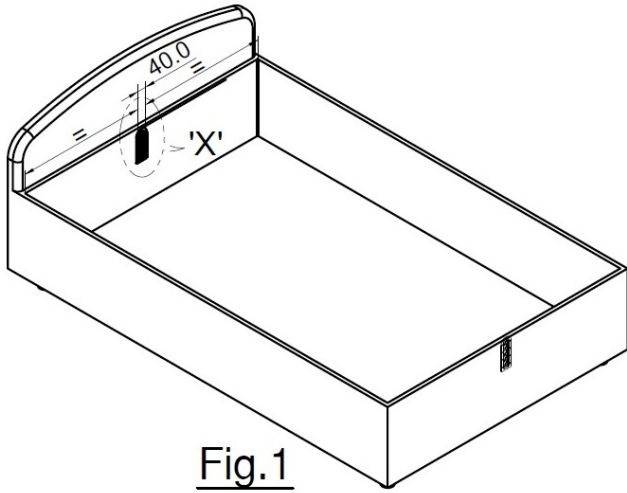
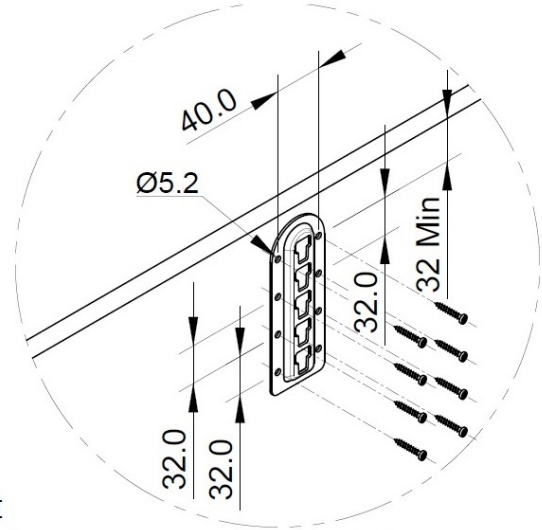


Fig.1



Detail 'X'

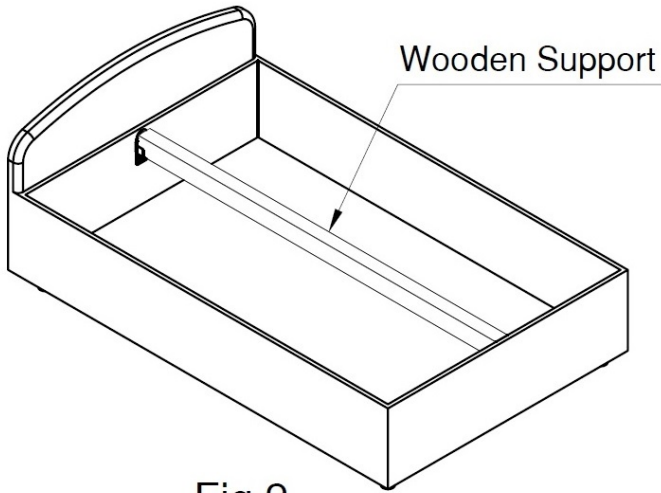


Fig.2