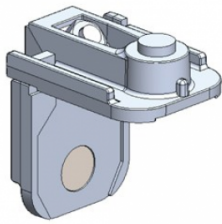


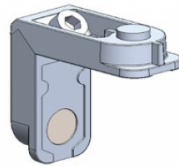


[Home](#) » [Aluminium Corner Cleat](#)

Aluminium Corner Cleat



Big



Small

- Used as a connector for Aluminium Sections.
- Ideal to be used with Window sections.'
- Available in two different sizes.
- Surface Finish : Aluminium.

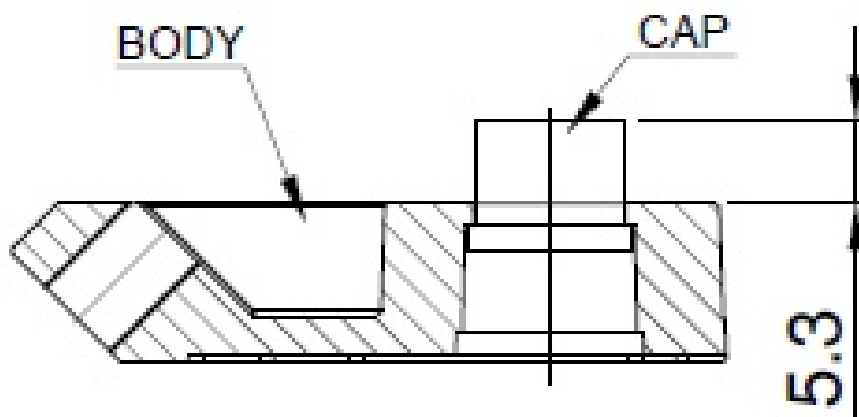
Specifications

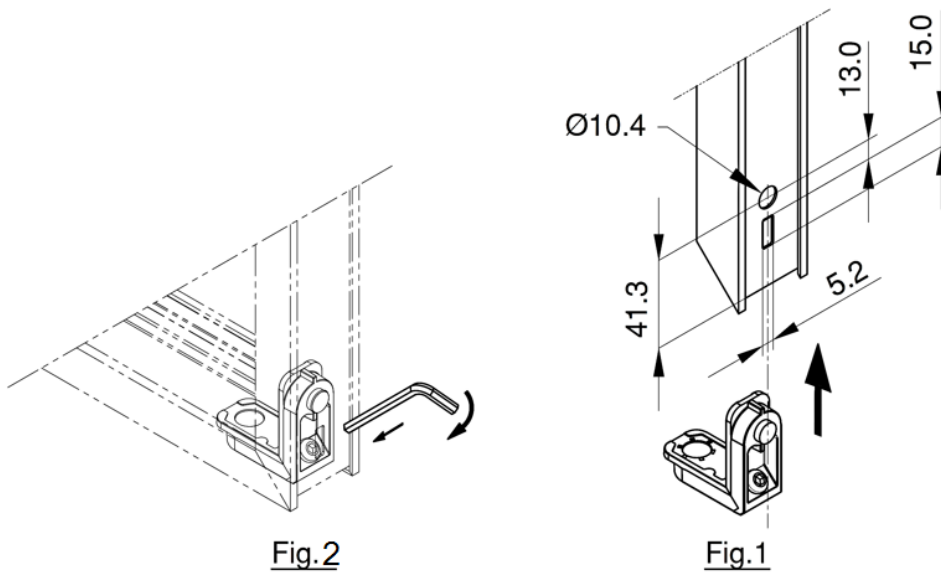
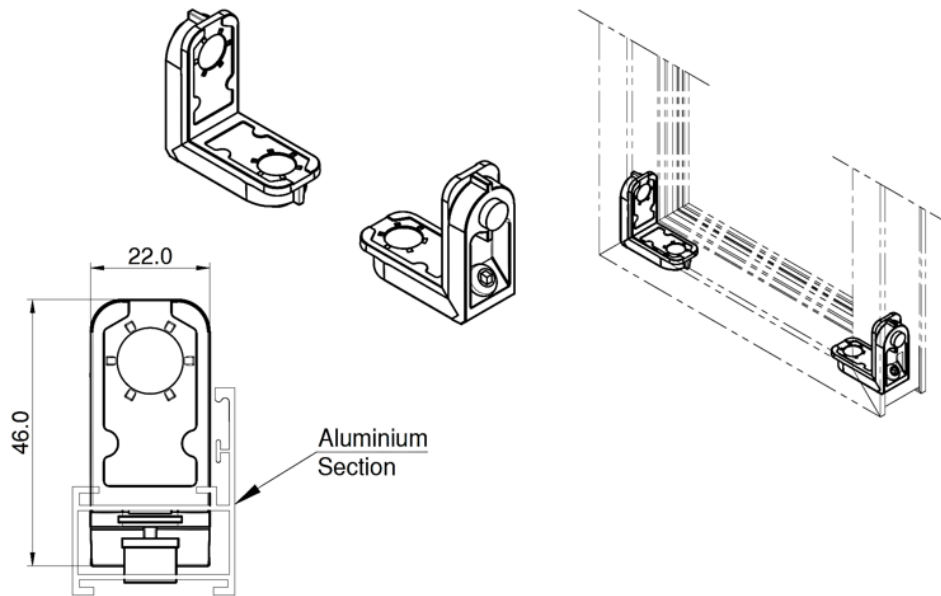
Model	Code	Size (mm)	Finish
Aluminium Corner Cleat-Small	ALCC1	22 x 46	Aluminium
Aluminium Corner Cleat-Big	ALCC2	36 x 48	Aluminium

Fitting Instructions

SMALL

- Cut the aluminium sections in 45° along the edges. From the edge drill a hole and slot as per the dimensions and insert the Aluminium Corner Cleat as shown in fig.1
- Ensure that the Aluminium Corner Cleat locks into the hole.
- Tighten the assembly using 4mm Allen Key as shown in fig.2.





BIG

1. Cut the aluminium sections in 45° along the edges. From the edge drill a hole and slot as per the dimensions and insert the Aluminium Corner Cleat as shown in fig.1
2. Ensure that the Aluminium Corner Cleat locks into the hole.
3. Tighten the assembly using 5mm Allen Key as shown in fig.1

