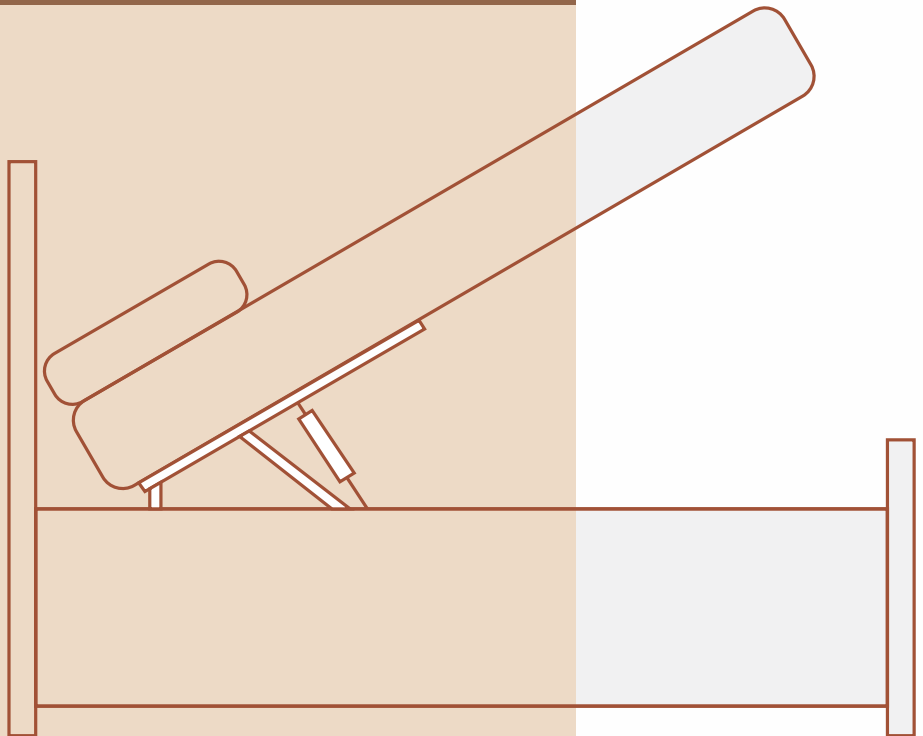




BED FITTINGS & ACCESSORIES



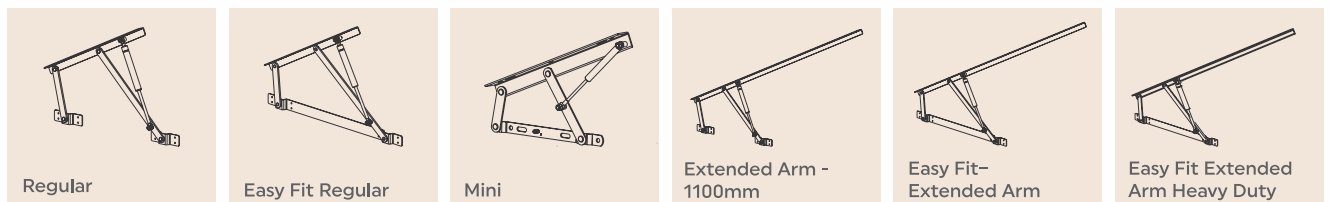
CONTENTS

PRO-LIFT BED FITTINGS	3
PRO-LIFT BED FITTINGS EASY FIT - EXTENDED ARM HEAVY DUTY (W/O GAS LIFTS)	4
PRO-LIFT BED FITTINGS - EASY FIT (W/O GAS LIFT)	5
PRO-LIFT BED FITTING - REGULAR (W/O GAS LIFT)	6
PRO-LIFT BED FITTING - MINI	7
PRO-LIFT BED SYSTEM	8 - 9
PRO LIFT FLAT BED FITTING	10
PRO-LIFT ELECTRIC BED FITTING - HEAVY DUTY	11 - 12
WALL BED - DOUBLE	13 - 16
FOLDABLE BED	16
WALL BED - SINGLE	17 - 18
WALL BED FITTING - VERTICAL (WITH COVER)	19
WALL BED FITTING - HORIZONTAL (WITH COVER)	20
BED FRAME WITH SLATS AND BED CROSSBAR SUPPORT	21
ACCESSORIES FOR BED	21-22
MRP	23

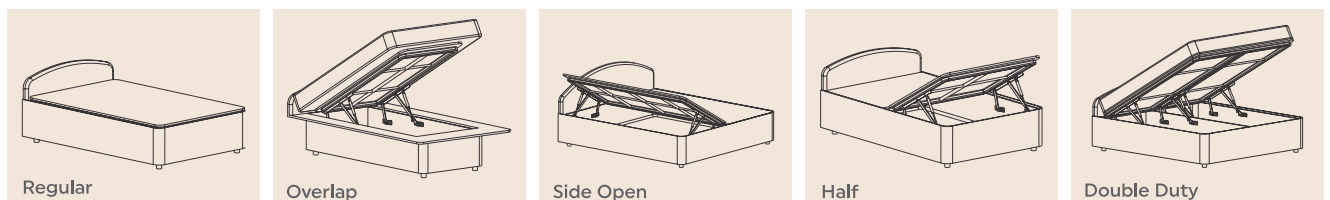


- Pro-Lift Bed Fittings is a smart, convenient and novel way for storage inside the bed
- This bed fittings gives clear access to the storage with 30° opening angle as the gas lift keeps bed top stay
- Wide range of Pro-Lift bed fitting mechanism from load capacity 500N to 1500 (for regular beds) and 1750 to 2000N (for heavy duty beds)
- Separate Mounting Screw Kit M6 & M8 (Set of screw, nuts and washers) available for Pro-Lift Bed Fittings

Range includes



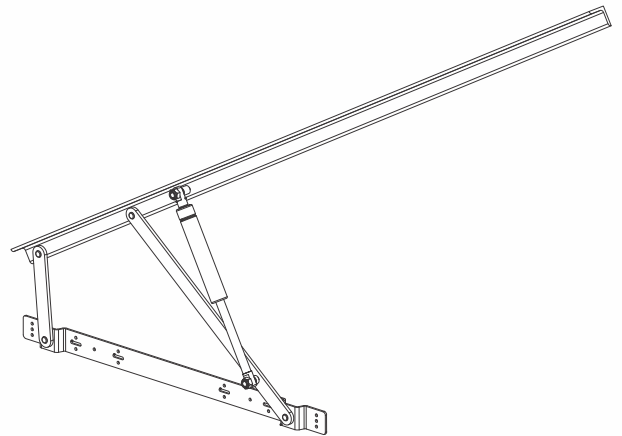
Different types of applications



PRO-LIFT BED FITTINGS EASY FIT - EXTENDED ARM HEAVY DUTY (W/O GAS LIFTS)

Special Features

- Ideal for storage under bed.
- 30° opening angle allows easy access.
- Easy to lift (with the weight of top board) with minimum force.
- Easy access as the gas lift keeps the bed top stay.
- Easy to fit.
- Long brackets provided for better support to the bed platform.
- Finish : Anthracite.



Specifications

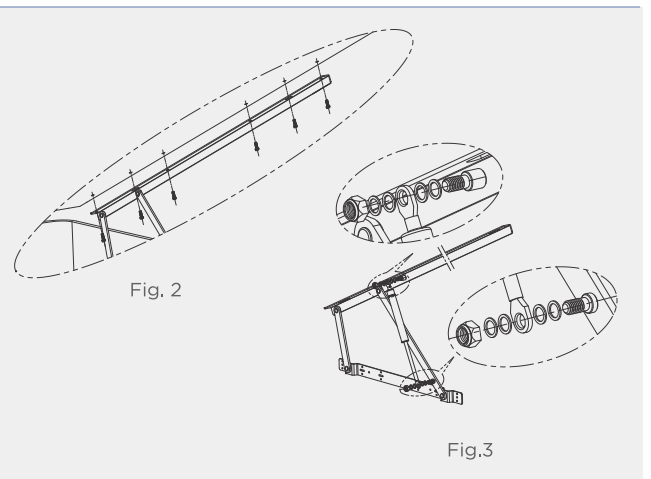
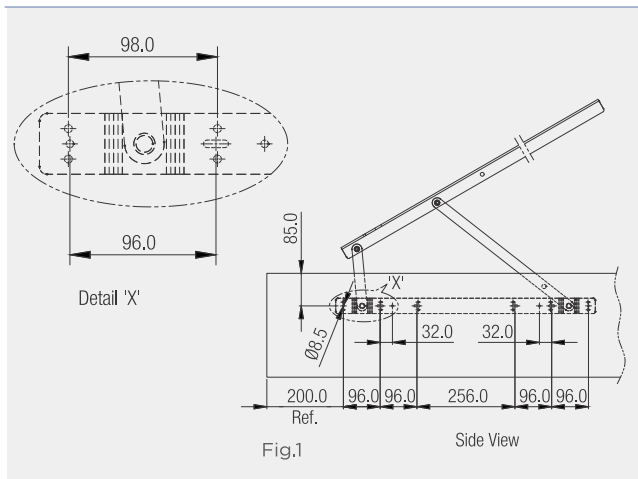
Item	Code No.	Max. Force (Kgs.)	Dead Load Range (Kgs.)	Recommended bed size	
				Width (Feet)	Length (Feet)
Pro-Lift Bed Fitting Easy Fit - Extended Arm Heavyduty	PLBF-EF-E-HD	--	--	--	--
Gas Lift 1750N	PLBF-175C-HD	175	75-80	5 to 6	6 to 6.5
Gas Lift 2000N	PLBF-200C-HD	200	85-90		

Fitting Instructions

1. Fit the Fix Brackets on bed frame as per given dimensions (Refer Fig.1) without the gas spring fitted.
2. Now fix the bed platform to the top brackets (Refer Fig. 2).
3. Lastly fit gas spring as shown in diagram (Refer Fig.3).

* Special Note:

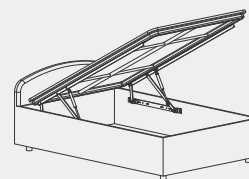
Installation dimensions are only recommendation and will vary depending on type of construction design.



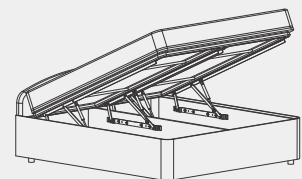
Caution

- Gas springs used are highly pressured, do not dismantle or damage and do not expose to heat or fire.
- Ensure that the top bed is locked properly with the bed frame.
- Do not tighten nut fully, Gas Spring should be able to rotate.

Different types of Applications (options)



REGULAR



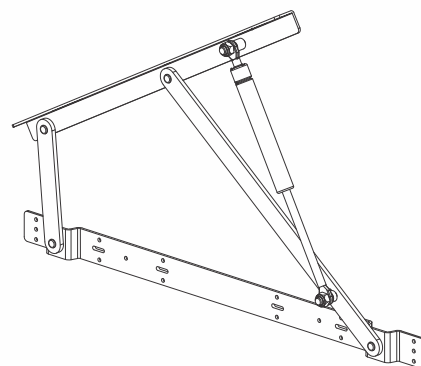
DOUBLE DUTY

Special Features

- Ideal for storage under bed.
- Special lifts available for different loads.
- 30° opening angle allows easy access to the storage area
- Easy to lift (with the weight of top board) with minimum force.
- Easy access as the gas lift keeps the bed top stay.
- Easy to fit.
- Finish: Anthracite.

Specifications

Item	Code Nos.	Type	Max. Force (Kgs.)	Dead Load Range (Kgs.)	Recommended bed size (Feet)	
					Width	Length
Pro-Lift Bed Fitting - Easy Fit - Regular	PLBF-EF	--	--	--	--	--
Pro-Lift Bed Fitting - Easy Fit Extended Arm (w/o Gas Lift)	PLBF-EF-E	--	--	--	--	--
Pro-Lift Bed Fitting - Easy Fit Extended Arm 1100mm (w/o Gas Lift)	PLBF-EF-E110	--	--	--	--	--
Gas Lift 500N	PLBF-50C	Medium	50	25-30	2.5 to 3	5 to 6 6 to 6.5
Gas Lift 750N	PLBF-75C	Medium	75	35-40	3 to 4	
Gas Lift 1200N	PLBF-120C	Heavy	120	55-60	4 to 5	
Gas Lift 1500N	PLBF-150C	Heavy	150	65-70	5 to 6	

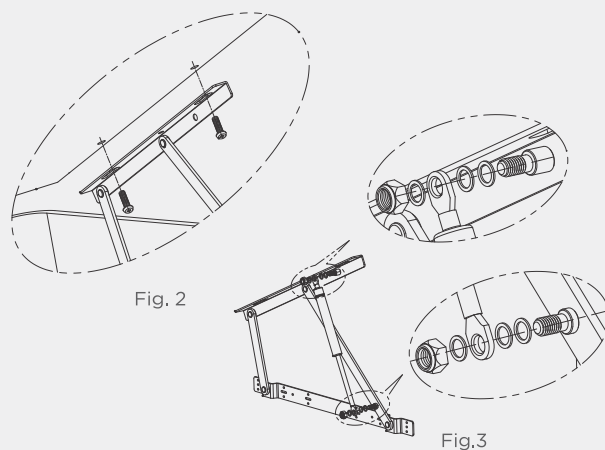
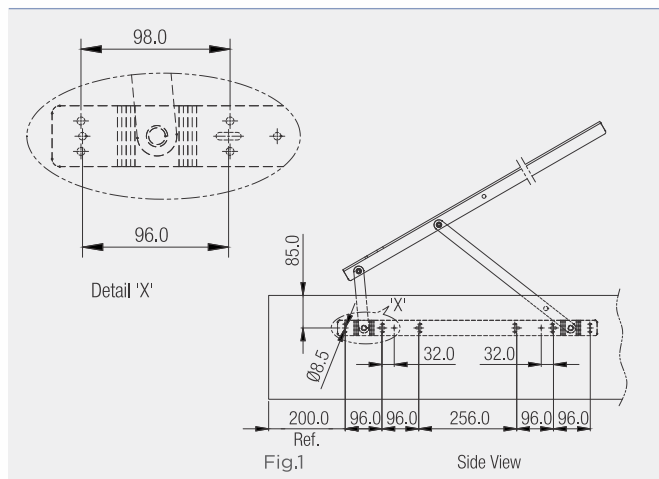


Fitting Instructions

1. Fit the Fix Brackets on bed frame as per given dimensions (Refer Fig. 1) without the gas spring fitted.
2. Now fix the bed platform to the top brackets (Refer Fig. 2).
3. Lastly fit gas spring as shown in diagram (Refer Fig. 3).

* Special Note:

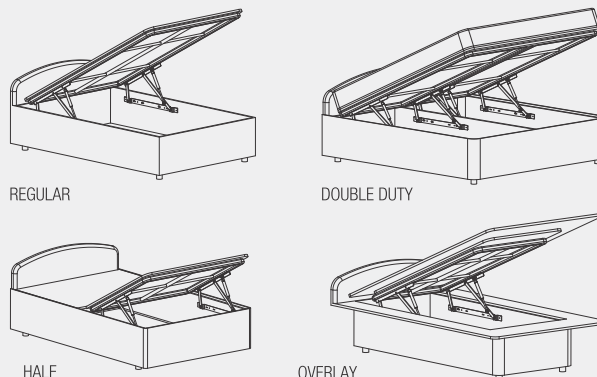
Installation dimensions are only recommendation and will vary depending on type of construction design.



Caution

- Gas springs used are highly pressured, do not dismantle or damage and do not expose to heat or fire.
- Ensure that the top bed is locked properly with the bed frame.
- Do not tighten nut fully, Gas Spring should be able to rotate.

Different types of Applications (options)



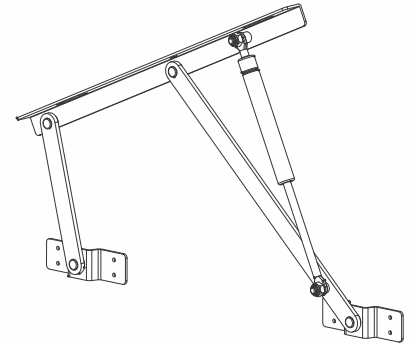
PRO-LIFT BED FITTING – REGULAR (W/O GAS LIFT)

Special Features

- Ideal for storage under bed .
- Special lifts available for different loads.
- 30° opening angle allows easy access to the storage area.
- Easy to lift (with the weight of top board) with minimum force.
- Easy access as the gas lift keeps the bed top stay.
- Finish: Anthracite

Specifications

Item	Code Nos.	Arm Length (mm)	Type	Max. Force (Kgs.)	Dead Load Range (Kgs.)	Recommended bed size (Feet)	
						Width	Length
Pro-Lift Bed Fitting – Regular (w/o Gas Lift)	PLBF-R	--	--	--	--	--	--
Pro-Lift Bed Fitting – Regular Extended Arm (w/o Gas Lift)	PLBF-RE	1500	--	--	--	--	--
Pro-Lift Bed Fitting – Regular Extended Arm 1100mm (w/o Gas Lift)	PLBF-RE-110	1100	--	--	--	--	--
Gas Lift 500N	PLBF-50C	--	Medium	50	25-30	2.5 to 3	5 to 6 6 to 1.2
Gas Lift 750N	PLBF-75C	--	Medium	75	35-40	3 to 4	
Gas Lift 1200N	PLBF-120C	--	Heavy	120	55-60	4 to 5	
Gas Lift 1500N	PLBF-150C	--	Heavy	150	65-70	5 to 6	

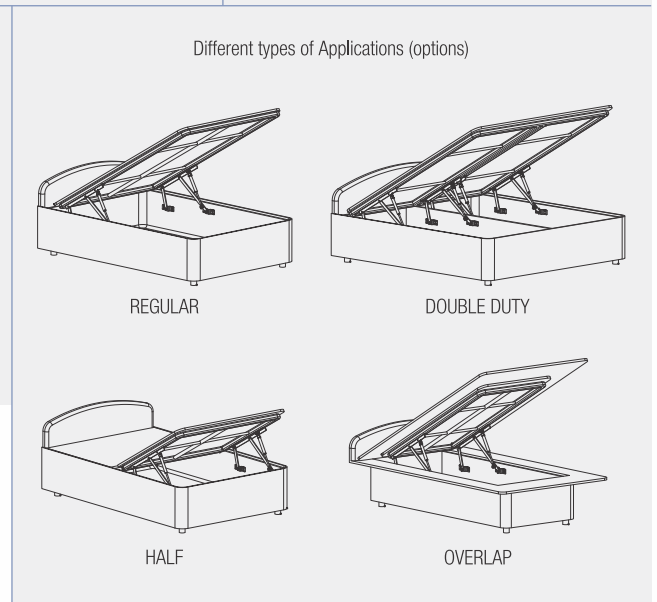
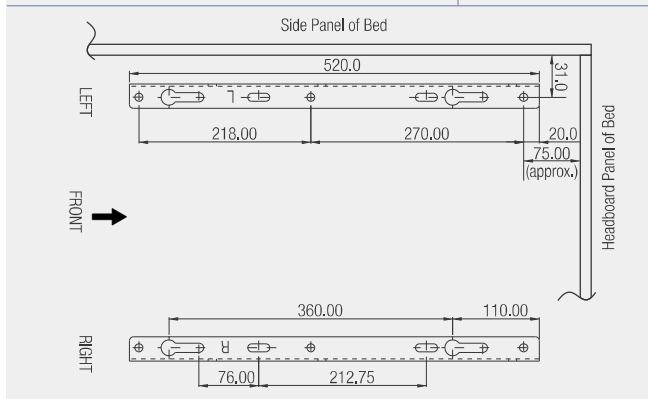
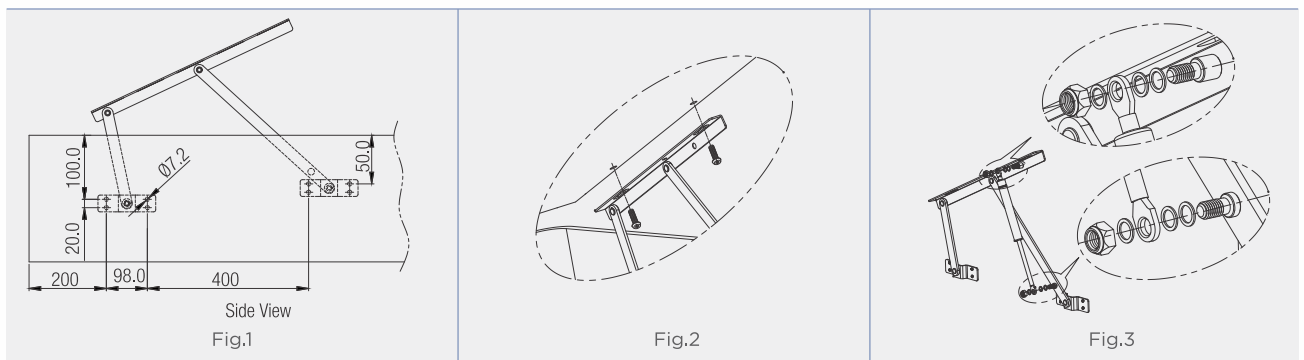


Fitting Instructions

1. Fit the Brackets on bed frame as per given dimensions (Refer Fig. 1) without the gas spring fitted.
2. Now fix the bed platform to the top brackets (Refer Fig. 2).
3. Lastly fit gas spring as shown in diagram (Refer Fig. 3).

* Special Note:

Installation dimensions are only recommendation and will vary depending on type of construction design.



Caution

- Gas springs used are highly pressured, do not dismantle or damage and do not expose to heat or fire.
- Ensure that the top bed is locked properly with the bed frame.
- Do not tighten nut fully, Gas Spring should be able to rotate.

Special Features

- Ideal solution for lightweight partial storage under the chaise, bed etc.
- Special gas pump mechanism with 300N load capacity.
- Gas pump gives easy and clear access to the storage area by holding the top board at 27°
- Finish: Anthracite.

Specifications

Item	Code No.	Max. Force (Kgs.)	Dead Load Range (Kgs.)	Recommended bed size (Feet)	
				Width	Length
Pro-Lift Bed Fitting -Mini (With Gas Lifts)	PLBFM30	300N	10-15	2.5 to 3	2.5 to 3

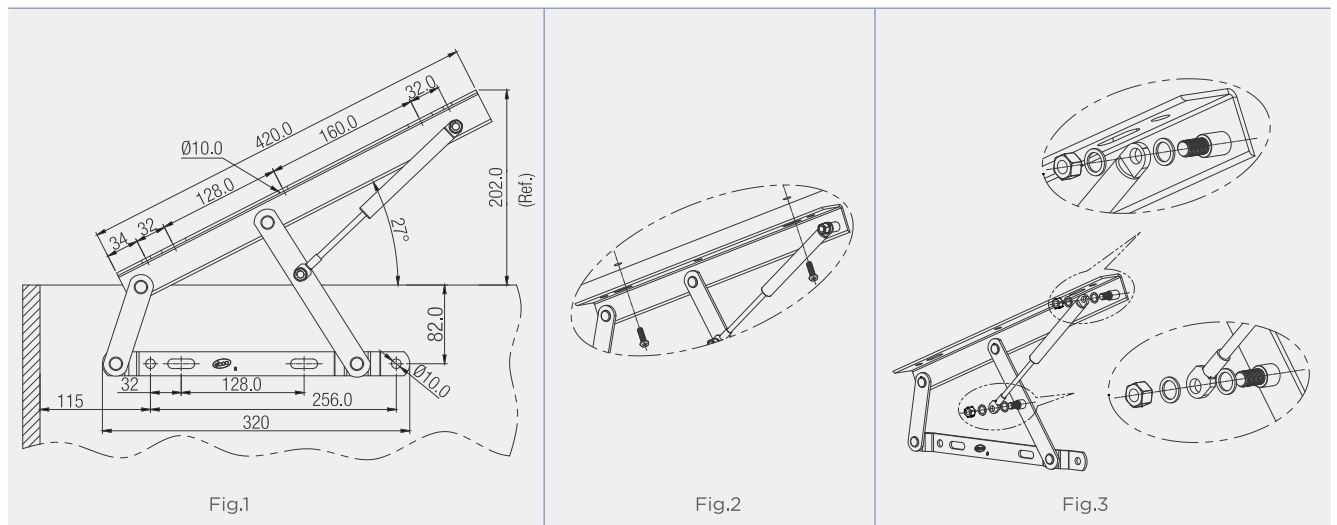


Fitting Instructions

1. Fit the Fix Brackets on bed frame as per given dimensions. (Ref. Fig.1) without the gas pump fitted.
2. Now fix the bed platform to the top brackets (Ref. Fig.2).
3. Lastly fit the gas pump as shown in diagram (Ref. Fig.3).

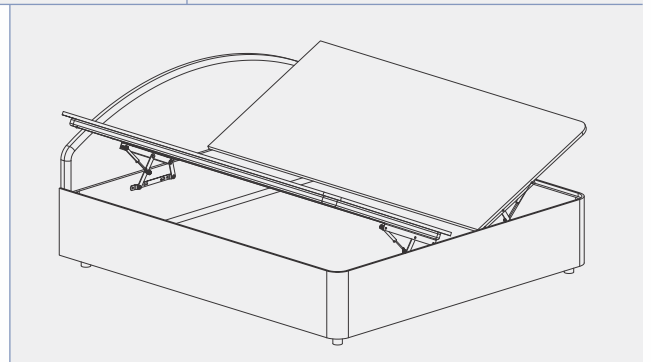
* Special Note:

Installation dimensions are only a recommendation and will vary depending on type of construction and design.



Caution

- Gas pumps used are under high pressure. Do not dismantle or damage and do not expose to heat or fire.
- Do not tighten lock nut fully, Gas pump should be able to rotate.



PRO-LIFT BED SYSTEM



WOODEN SLATS



MULTI CORNER BRACKET



FRAME SUPPORT



BED CROSSBAR SUPPORT

Special Features

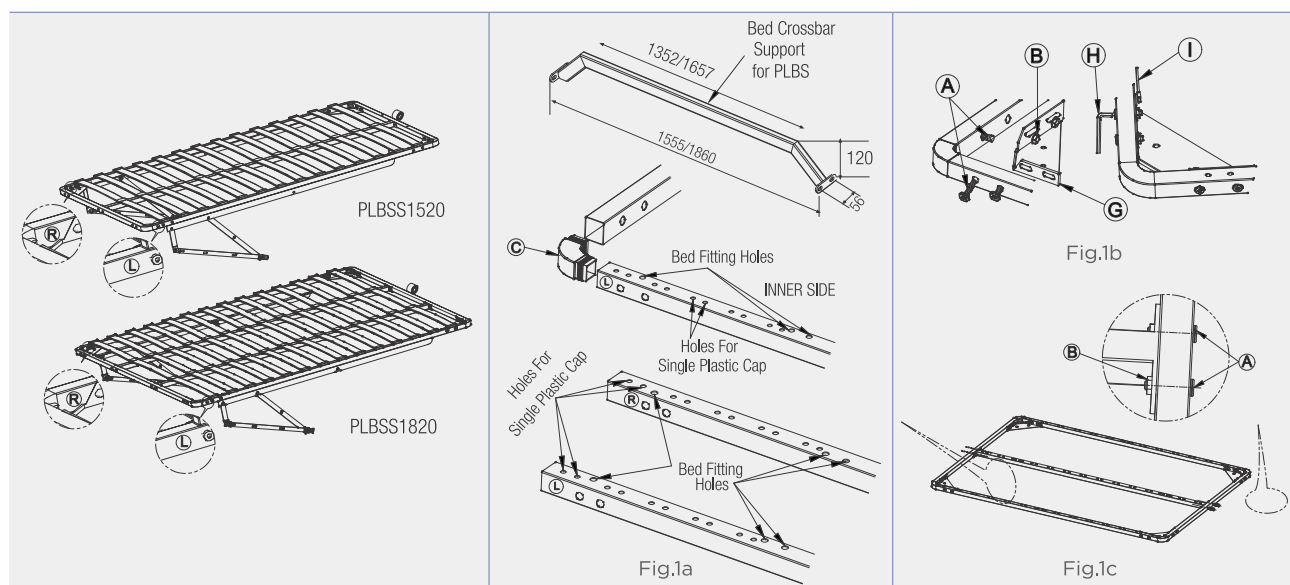
- Ideal for storage under the bed.
- Bed top size of - 1525 x 2000mm & 1830 x 2000mm.
- Double & triple row of 53 x 8.5mm slats for strength, stability & comfort.
- The kit consists of Pro-Lift Bed Fitting Easy Fit Extended Arm, Frame with wooden slats, Bed frame support & mounting Bracket (in flat pack condition).
- 30° opening angle allows easy access to the storage area.

Specifications

Item	Code Nos.	Max. Force (Kgs.)	Dead Load Range (Kgs.)	Recommended bed internal size		Finish
				Width	Length	
Pro-Lift Bed System (Lift System, Frame with Slats, Mounting bracket kit & Bed Frame Support)	PLBSS1520	---	---	1557	2024	AT
	PLBSS1820	---	---	1862	2024	
Gas Lift 1200N (For PLBS 1520)	PLBF-120C	120	55-60	---	---	
Gas Lift 1500N (For PLBS 1820)	PLBF-150C	150	65-70	---	---	

Fitting Instructions

1. Insert Plastic Corner in Square Pipe & Ensure that holes for Bed Fitting are on the inner side of Frame as shown in Fig.1A. Screw M8 x 40 to the Bracket & Support Pipe as shown in Fig.1b & 1c with help of Allen key & wrench.
2. Kindly identify Left (L) & Right (R) pipe as depicted above
3. Fit the Slat in Single & Double Plastic Cap and fix on the frame with the help of Plastic Hammer as shown in Fig.2.
4. Fit the Fix Bracket on bed frame as per dimensions. (Ref. Fig.3) without the gas spring fitted.
5. Fit Frame onto Bed Fitting with help of Screw & Nut as shown in Fig.4.
6. Lastly fit the gas spring as shown in diagram (Ref. Fig.5).
7. Bed Frame Support can be fitted as per user convenience (Ref. Fig.4).



* Special Note:

- 1) Installation dimensions are only recommendation and will vary depending on type of construction design.

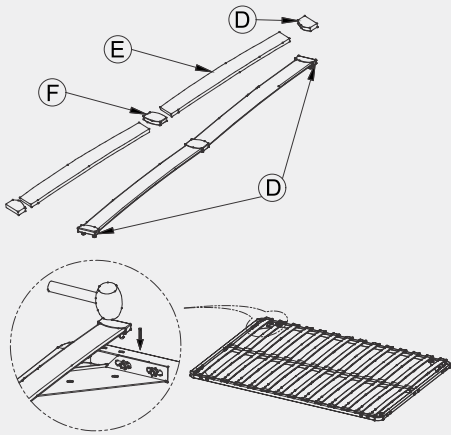


Fig.2

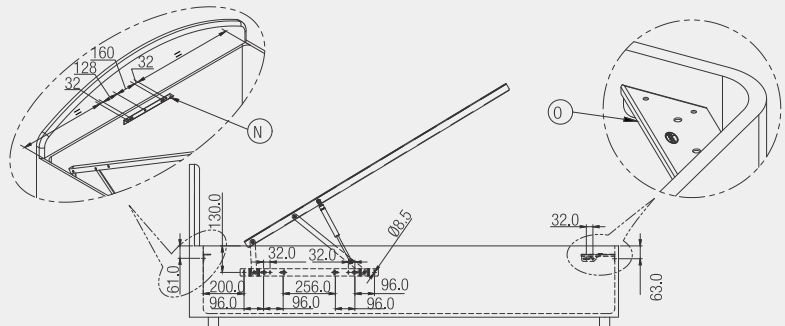


Fig.3

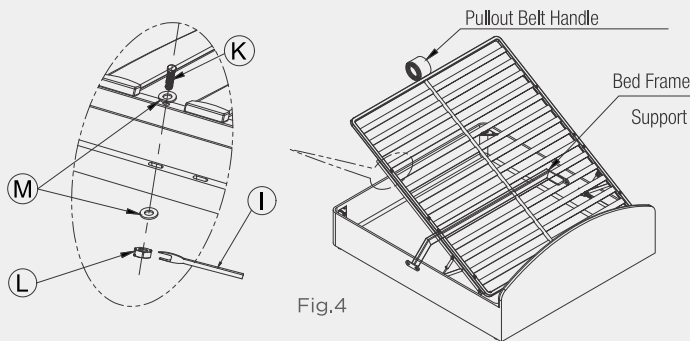


Fig.4

Caution

- Gas springs used are highly pressured, do not dismantle or damage and do not expose to heat or fire.
- Ensure that the top bed is locked properly with the bed frame.
- Do not tighten nut fully, Gas Spring should be able to rotate.

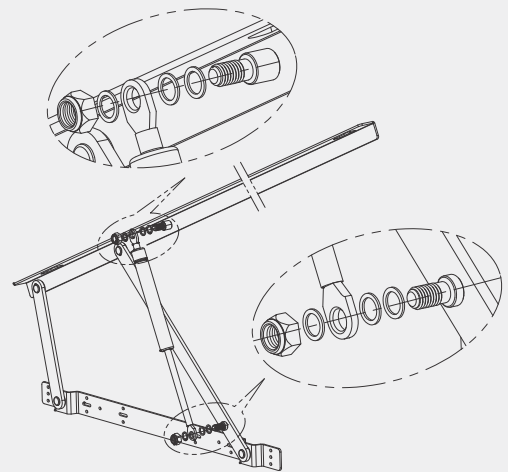


Fig.5

Part List

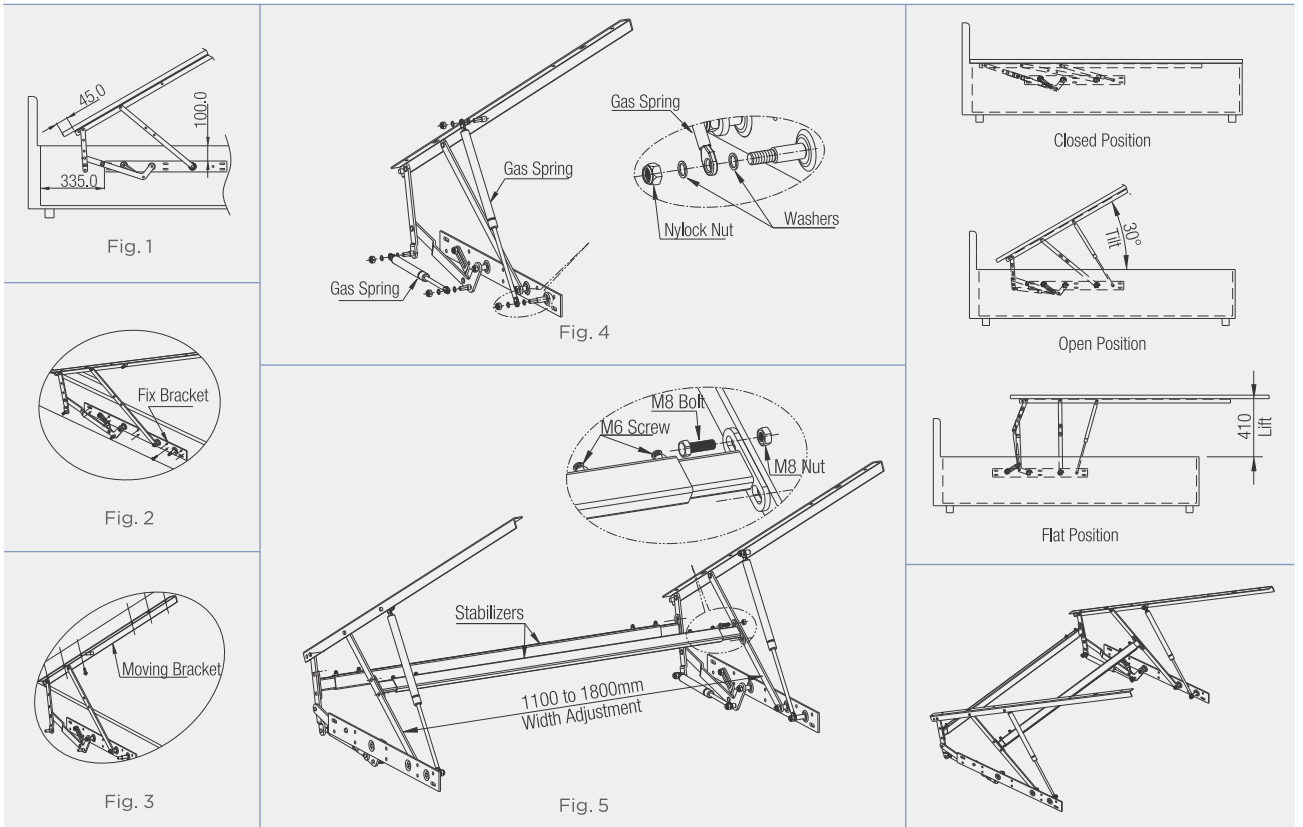
Sr. No.	Diagram	Part Name	Quantity For PLBSS1520	Quantity For PLBSS1820	Sr. No.	Diagram	Part Name	Quantity For PLBSS1520	Quantity For PLBSS1820
A		Screw M8 x 40	20 Nos	24 Nos	J		Bed Fitting	1 Set	1 Set
B		Nut M8	20 Nos	24 Nos	K		M8 x 50 Hex Bolt	8 Nos	8 Nos
C		Plastic Corner	4 Nos	4 Nos	L		M8 Hex Nut	8 Nos	8 Nos
D		Single Plastic Cap	28 Nos	28 Nos	M		M8 Washer	16 Nos	16 Nos
E		Slat	28 Nos	42 Nos	N		Frame Support	1 No	1 No
F		Double Plastic Cap	14 Nos	28 Nos	O		Multi Corner Bracket	2 Nos	2 Nos
G		Bracket	4 Nos	4 Nos	P		Bumpers	6 Nos	6 Nos
H		Allen Key	1 No	1 No	Q		Pullout Belt Handle	1 No	1 No
I		Wrench	1 No	1 No	R		Belt For Mattress	1 No	1 No

PRO LIFT FLAT BED FITTING Design Reg. No. - 278560



Special Features

- Pro-lift Flat Bed Fittings is ideal for storing blankets, pillows, mattresses, or books just underneath your bed
- Its parallel and straight lift condition helps you to make your bed ready without bending your body posture
- Gives clear access to the storage with 30° opening
- angle as the gas lift keeps bed top stay
- Recommended Bed Size: Width - 6 feet, Length - 6 to 6.5 feet
- Finish : Anthracite



Specifications

Code No.	Tilt	Lift	Recommended bed size	
			Width	Length
PLFB1-90-30	30°	410 mm	6 feet	6 to 6.5 feet

Caution

- Gas springs used are highly pressured, do not dismantle or damage and do not expose to heat or fire.
- Do not tighten nut fully, Gas Spring should be able to rotate.



Bed Fittings Arm & Electric Motor



Remote



Switch Controller

Special Features

- This electric bed lift with remote control is a smart and novel way to help with storage inside the bed
- Opening angle in excess of 30° allows easy access
- Electric motor easily meets the lifting requirements desired, eliminating all manual effort
- Motor capacity : 6000N
- Dead Load Range: 85 - 100kgs (weight including 6" mattress and 18mm board cover)
- Recommended minimum bottom thickness 18mm
- Available in two variants - Wireless Remote Controller and Switch Control (with built-in USB charger)
- Recommended Bed Size: Width - 5 to 6 feet, Length - 6 to 6,5 feet
- Finish : Anthracite

PRO-LIFT ELECTRIC BED FITTING - HEAVY DUTY

Specifications

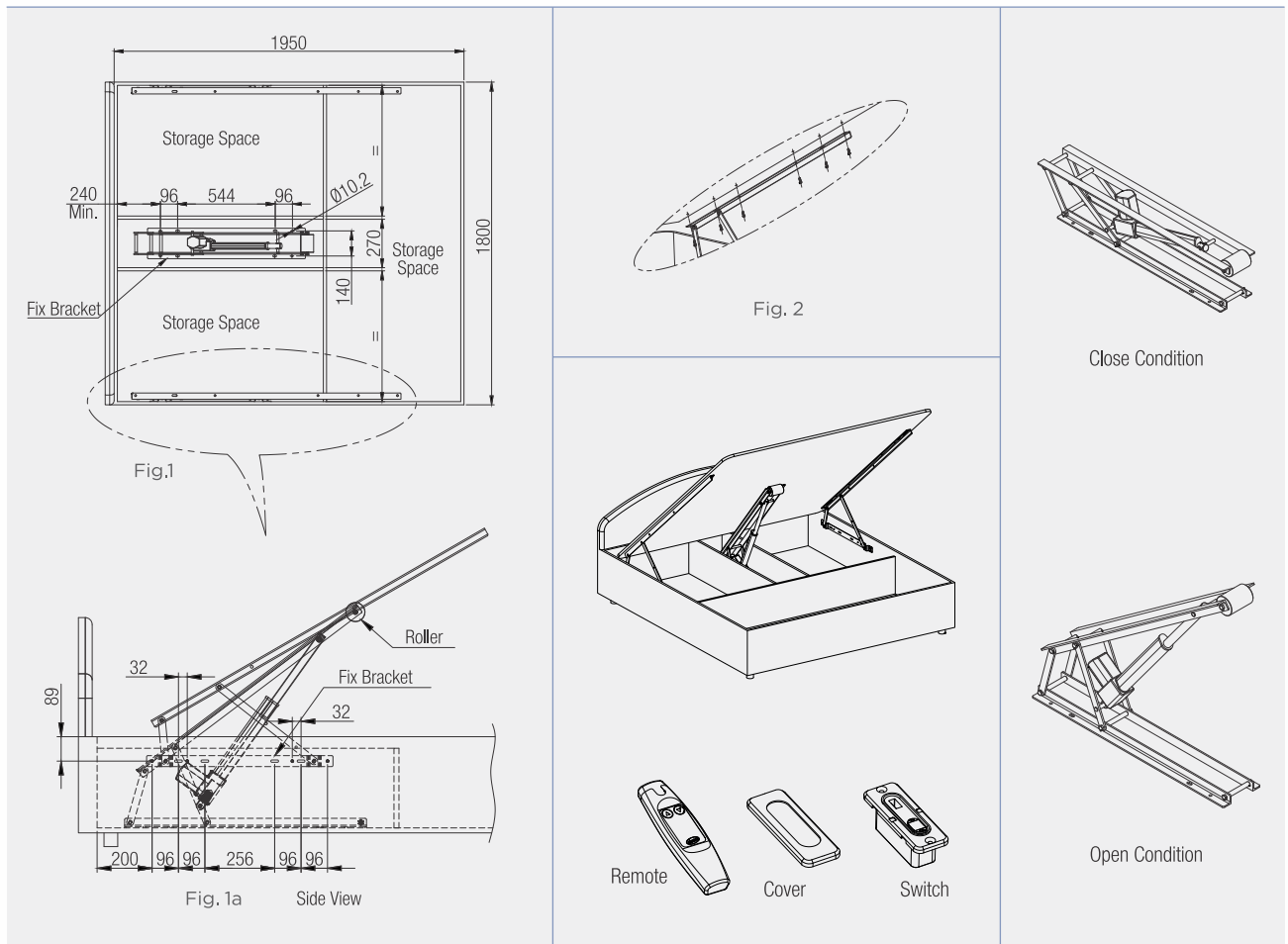
Item	Code Nos.	Recommended bed size	
		Width (Feet)	Length (Feet)
Pro-Lift Electric Bed Fitting-Heavy Duty with Remote control	PLBF-EMR2-HD	5 to 6	6 to 6.5
Pro-Lift Electric Bed Fitting-Heavy Duty with Switch Control	PLBF-EMS2-HD		

Fitting Instructions

1. Fit the Fix Bracket on bottom surface of bed as per given dimensions. (Ref. Fig.1)
2. Fit the Fix Bracket on bed frame as per given. dimensions. (Ref. Fig.1a)
3. Now fix the bed platform to the top brackets (Ref. Fig.2).

* Note:

1. Installation dimensions are only recommendation and will vary depending on type of construction design.
2. Screws and nuts not provided.



Caution

- Electric Lifts should not be dismantled, damaged or exposed to heat or fire.
- Ensure that the top bed is locked properly with the bed frame.
- Electric lifts should have sufficient clearance from both sides & ensure no items interfere during operation.



Wooden Slats



Al. Bed Frame



Folding Legs



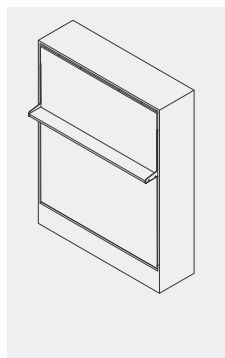
Mechanism with Cover

Special Features

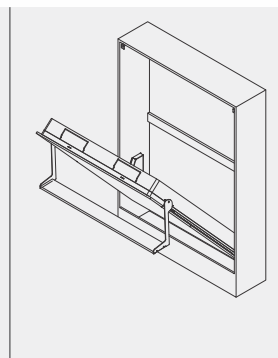
- This space-saving solution comes in the complete set of bed frame with slats, wall bed mechanism with 1700N gas pump & folding legs
- The bed gets concealed in the wall cabinet when not in use & legs fold automatically when closed
- Bed Frame Size: 2000 x 1525mm
- Recommended mattress size: 1520 x 1940mm
- Dead Load Range: 115 - 120kgs (weight including frame with slats, legs, links, 25mm shelf, 6" mattress & 18mm board cover)
- Finish: Anthracite

Specifications

Code No.	Load
WBHD1	1700N

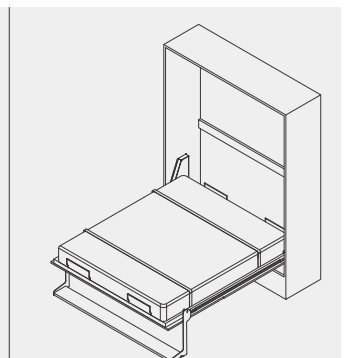


POSITION 1: Pull the front panel until it reaches position 2.



POSITION 2: Slightly push down bed base from position 2 to the ground. In the last part, the opening movement is controlled by gas springs.

CAUTION: Do not leave the bed base to open on its own as it will bump down on the surface.



POSITION 3: Now the bed base is completely open and ready to be used. Legs will be slightly close and will be perpendicular to the ground when some load is applied on it. To close it, lift the bed base to position 2, then push the panel slightly towards the cabinet to close the bed completely.

WALL BED - DOUBLE

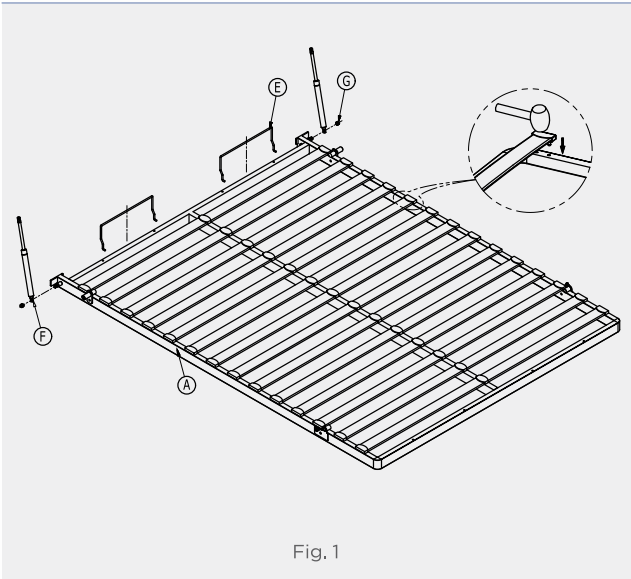


Fig. 1

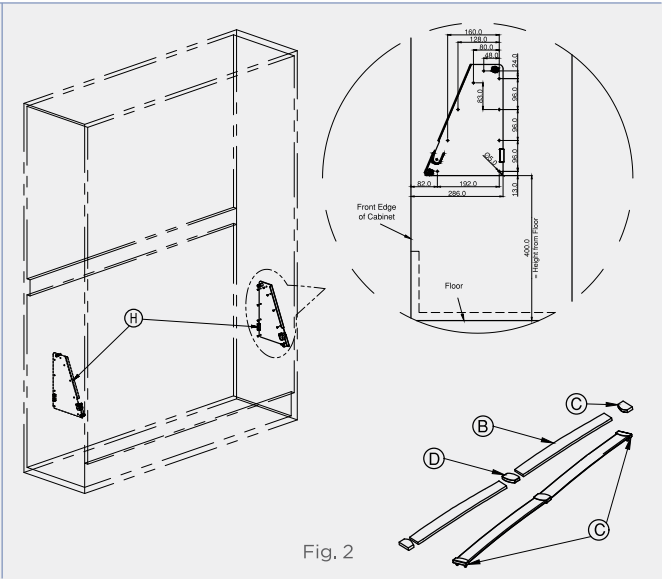


Fig. 2

- Fit Wooden Slats (B) in Single (C) & Double Plastic Cap (D) and fix on the metal frame (A) with the help of Plastic Hammer as shown in Fig. 1. Also assemble Mattress Stopper (E), Gas Pumps (F) & M10 nylock nuts (G) as shown in Fig.1
- Install the Fix Brackets assembly (H) to the right and left side of the cabinet with help of wood screws (I). (Refer Fig.1. For dimensions refer Cabinet Dimensions Sheet.
- Install one Rectangular Link Assembly (J) to corresponding pivot welded on the plate (H) using a $\varnothing 8.5 \times 17$ washer (K) and a M8 Flat Head screw (L). Be careful to the indentation: it should face the pivot! Follow same procedure for both Rectangular links (Refer Fig.3)
- Insert the assembled frame into appropriate seat on Fix Bracket Assemblies (H), then tighten the M6 Allen Socket screws (M) onto appropriate hole of the plate. Lean temporarily on the floor two Rectangular Link Assembly (J). Assemble the Frame Stopper (N) on both the top sides of Cabinet as shown in Detail View 'X'. For dimensions refer Cabinet Dimensions. Leave the shaft side of gas pump pointing upwards as shown in Fig. 4
- Lift the bed base and place the shaft end of gas pumps (F) in correspondence with the Fix Brackets assembly (H). Fasten the assembly with help of M10 Nylock Nut (G). (Refer Fig. 5)

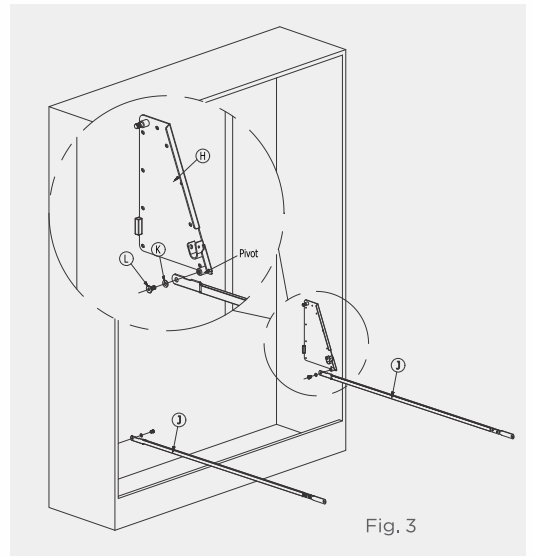


Fig. 3

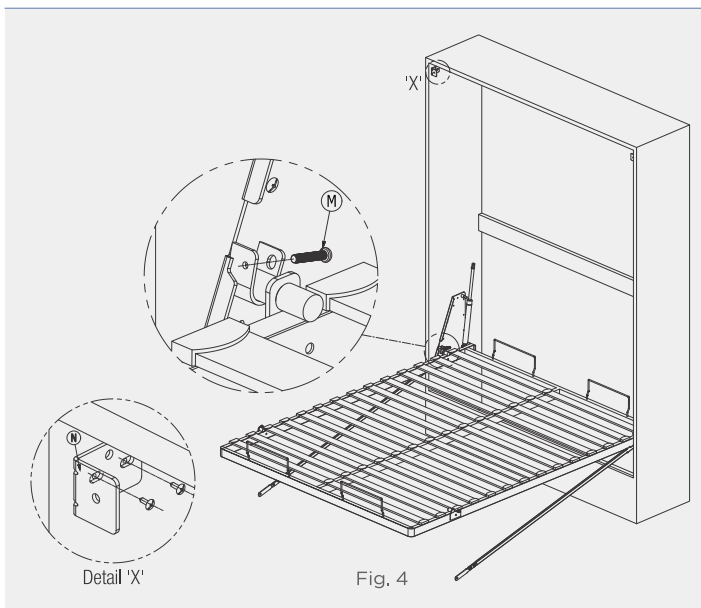


Fig. 4

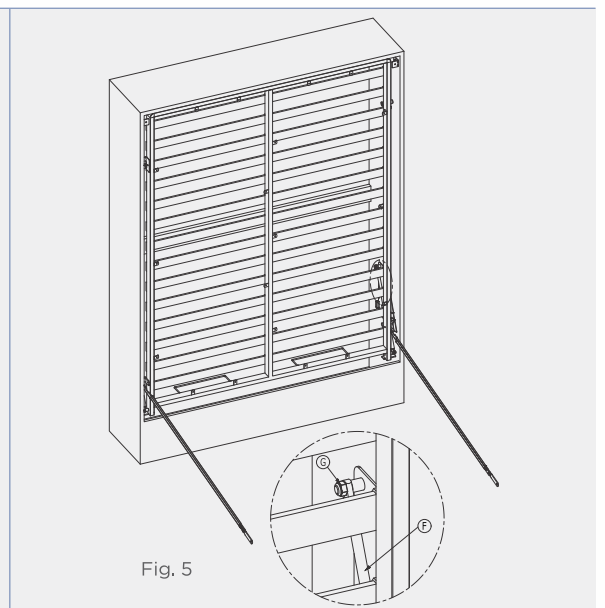
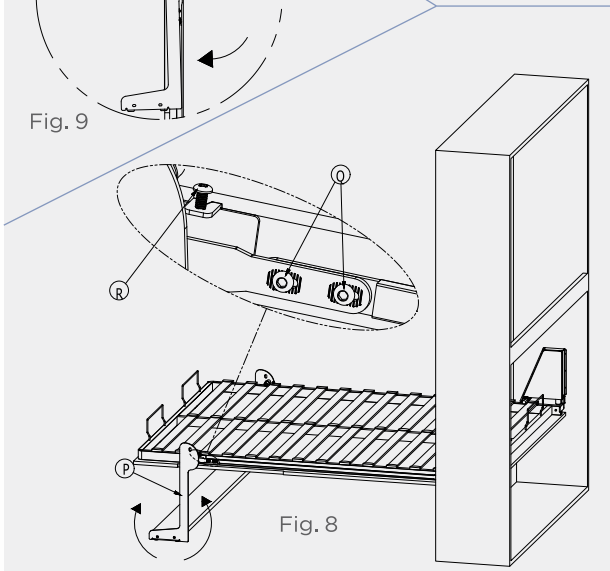
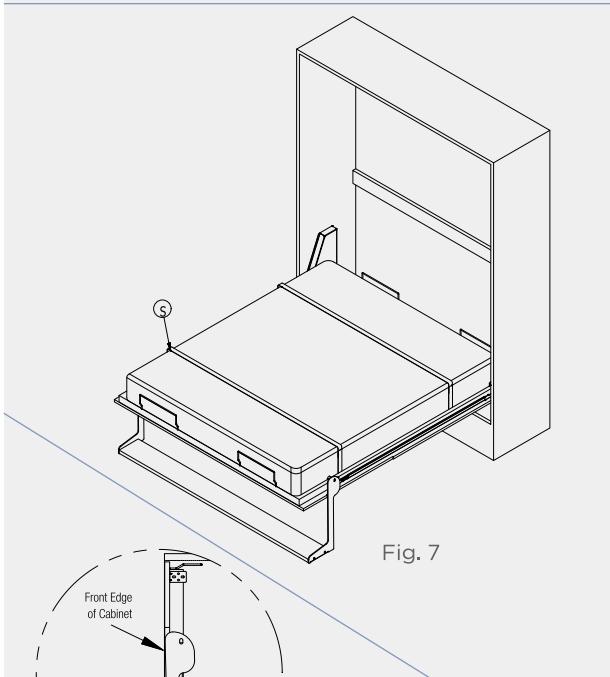
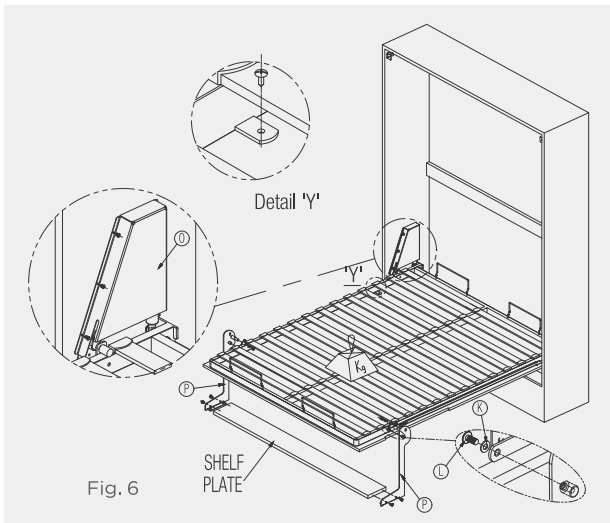
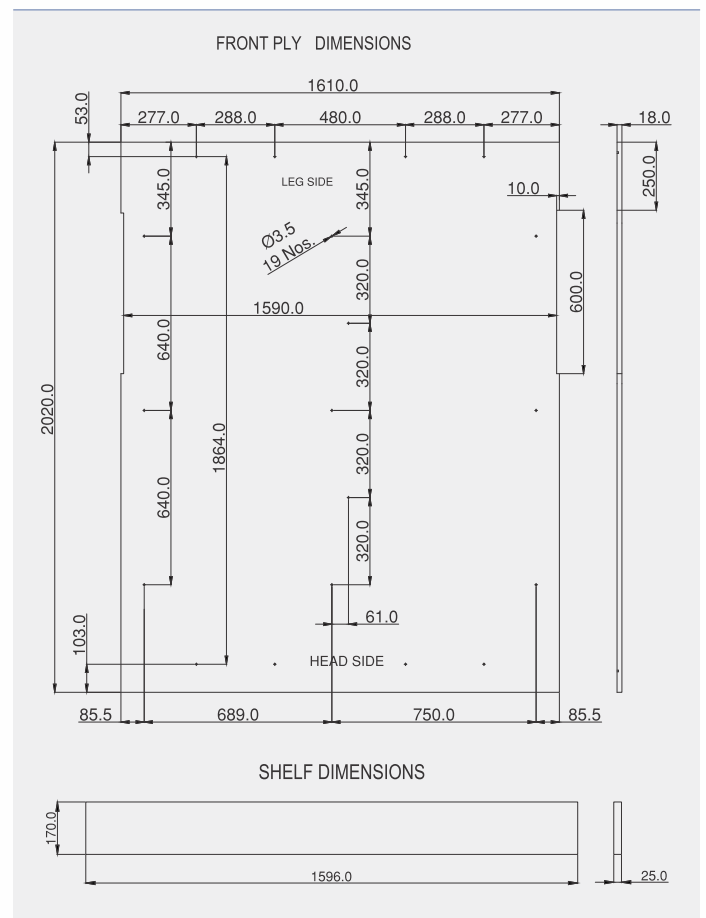


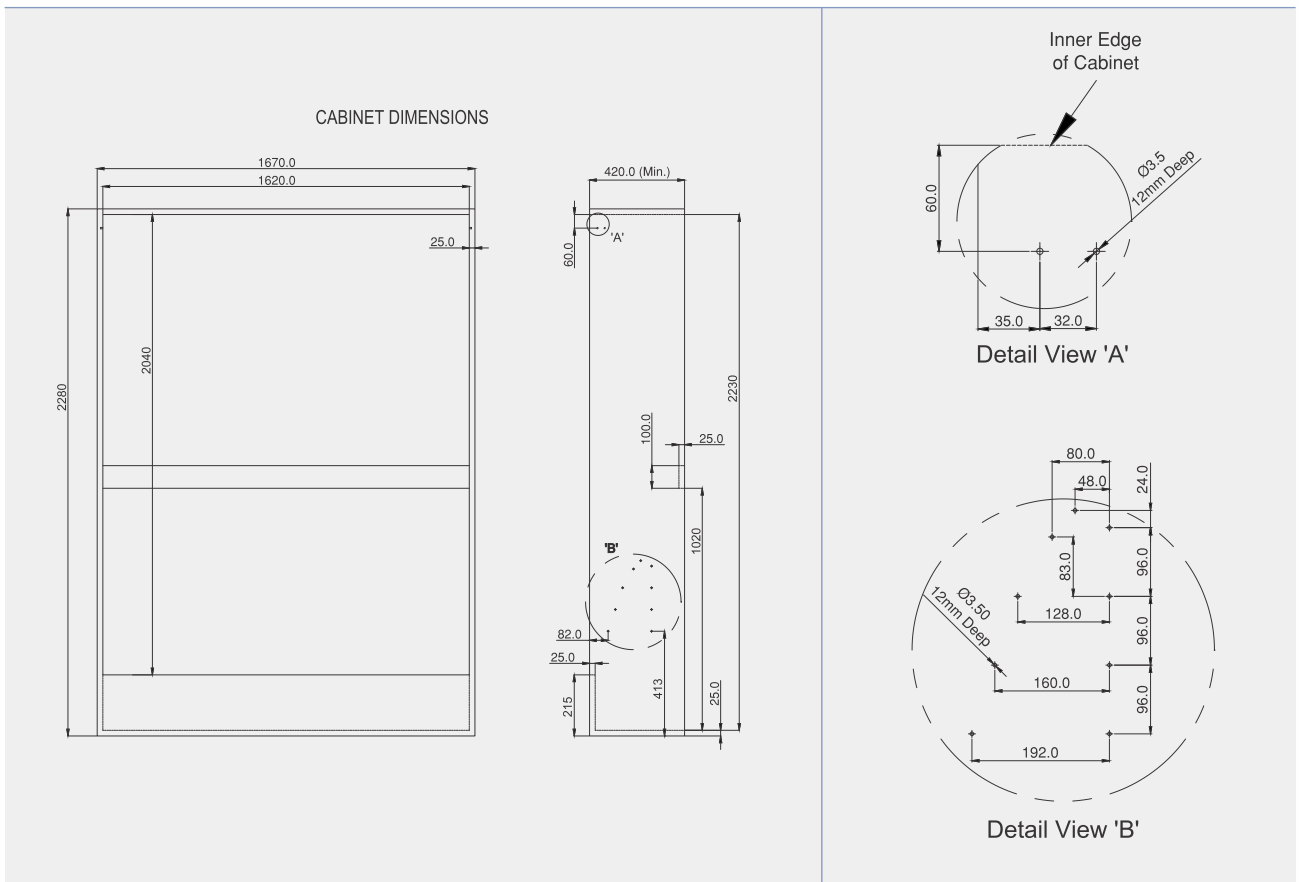
Fig. 5



- f. Open the bed base and place weight onto the frame. Now place the front ply under the bed base. Fix front ply to the bed frame with self tapping wood screws (I) as shown in Detail 'Y'. Adjust the panel to the bed base while keeping a uniform distance between the front panel edges and the cabinet.
- Warning :-** From now on the bed base is subjected to the power of gas pumps!
- g. Install the covers (O); lean them on the Fix Bracket Assembly (H) then fix them with wood screws (I) as shown in figure. Fix the Leg Assembly (L & R) (P) and Rectangular Link Assembly (J) to the bed frame with the help of Flat Head Screw (L) and washer (K) as shown in Fig. 6
- h. Also fix the Shelf plate to leg assembly with help of wood screws (I) as shown in figure 6.
- i. Place mattress onto the frame and fix with help of mattress belt & buckle (S). Suggested Mattress thickness min. 4 inch.
- j. Open the bed base and check the length of Rectangular link (J). If necessary, adjust its length by loosening the M5 x 12 screws (Q) and rotate the Leg Assembly (P) until it reaches an upright position. (Refer Fig.8)
- k. Close the bed base and check position of Leg Assembly (P) If necessary, adjust until it is in parallel position with front panel of the cabinet. To adjust, lift or lower the M6 Pan Head screw (R) (Refer Fig.8)
- l. For correct use, the bed foot must go slightly inside the cabinet: in this way, when you close the bed, the bed foot will be slightly pushed forward by the lock screw of the bed base until it is in parallel position with the front panel. If this does not happen, adjust the screw until the bed foot reaches the correct position. (Refer Fig. 9)



WALL BED - DOUBLE



FOLDABLE BED Design Reg. - 338601 / 338602



Special Features

- Ready to use roll away bed that can be folded and stored easily inside the cabinet, slide away beneath bed or into a closet when not in use.
- Compact, Portable and space savvy.
- No installation required, just expand to use.
- Ideal to use as extra bed for guests at home, hotels, hostels, backyard, garden area or any other outdoor or indoor use.
- Size in Open Position : 1970 (L) x 760 (W) x 410 (H)
- Size in Close Position : 730 (L) x 760 (W) x 410 (H)
- Finish : Anthracite

Specifications

Code No.	Size (mm)
FEB1	1970 x 760



Special Features

- Hidden bed on the wall.
- Ideal for compact rooms, children's room, hostels, etc.
- This space saving solution comes in complete set of bed frame with slats, Wall Bed Mechanism (1200N) & folding legs
- Bed gets concealed in wall cabinet when not in use.
- Dead Load Range: 55 - 60kgs (weight including frame with slats, legs, mattress & 18mm board cover)

Dimensions:

- Bed Frame Size: 2000 x 850mm
- Mattress Size: 2000 x 850mm
- Mattress Weight: 14kg (6 inch THK), 18kg (8 inch THK)
- Overall Size of Bed with Carcass: 1,010mm (W) X 2,085mm (H) Considering 25mm panels
- Finish : Anthracite



Wooden Slats



Al. Bed Frame



Folding Legs-Height300mm

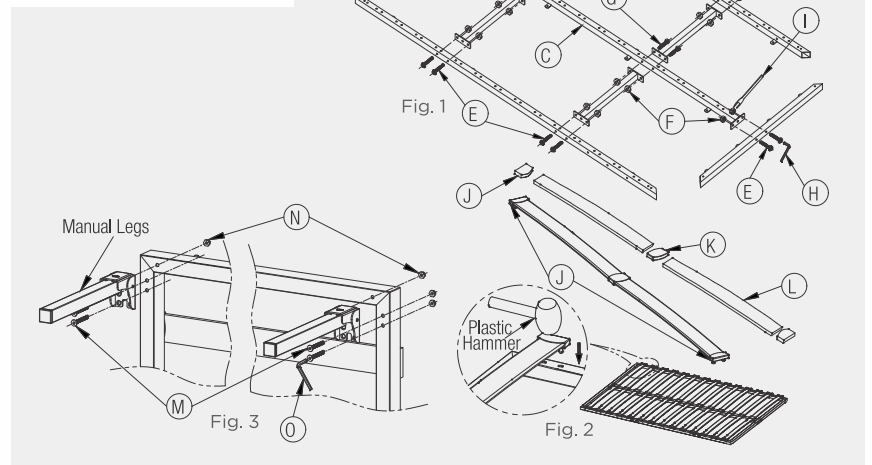


Mechanism with Cover

Item	Description (size in mm)	Qty.
A	40 x 30 x 900	2
B	40 x 20 x 406	4
C	40 x 30 x 1938	1
D	40 x 30 x 2000	2
E	Allen Socket Screw M8 x 40	12
F	M8 Hexagonal Nut	16
G	Allen Socket Screw M8 x 50	4
H	5mm Allen Key	1
I	Spanner	1
J	Single Plastic Cap	28
K	Double Plastic Cap	14
L	Slat	28
M	Allen Socket CSK Head Screw M6	6
N	M6 Hexagonal Nut	12
O	4mm Allen Key	1
P	Hexagonal Bolt M8 x 55	6
Q	M8 Nyloc Nut	6
R	M8 plane Washer	12
S	Plastic Washer	12
T	Washer Head Screw M6	6
U	Corner Bracket	2
V	Bed Belt 8 Feet	1
W	Bed Belt Buckle	1

Specifications

Code No.	Size (mm)
WBS-ML	2000 x 850



Caution

- Gas springs used are highly pressured, do not dismantle or damage and do not expose to heat or fire.

WALL BED - SINGLE

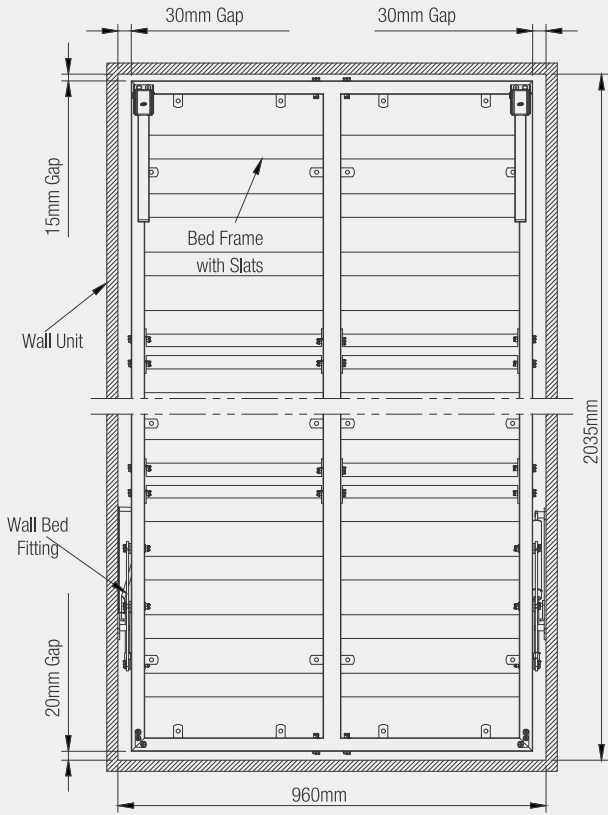


Fig. 4

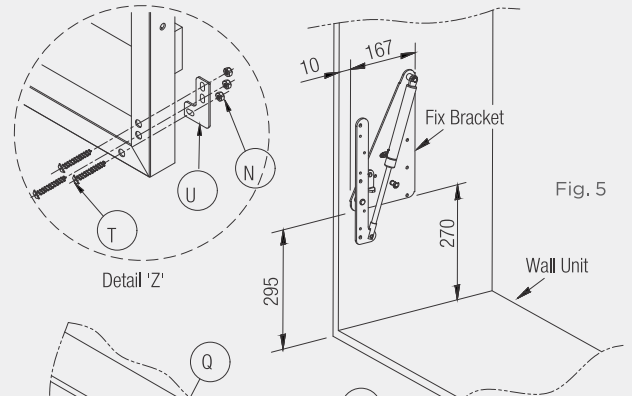


Fig. 5

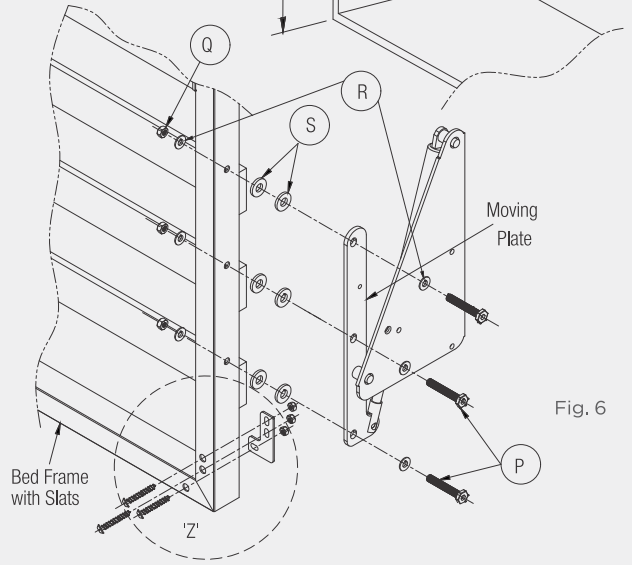
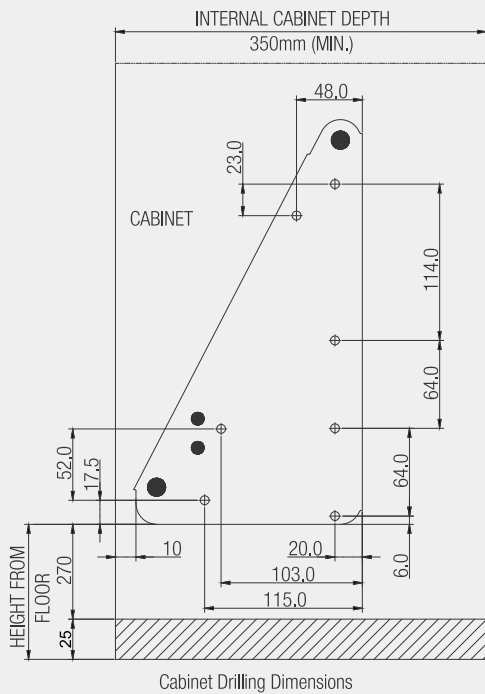
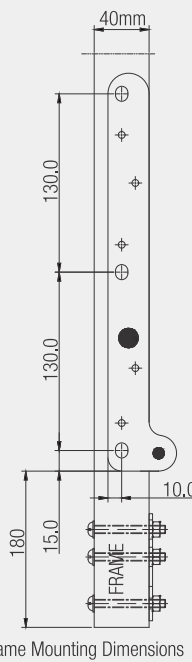


Fig. 6



Cabinet Drilling Dimensions



Frame Mounting Dimensions

Special Note :
Installation dimensions are only for recommendation and will vary depending on type of construction design.

WALL BED FITTING - VERTICAL (WITH COVER)

Special Features

- Designed to save space of a bed.
- Bed gets concealed in wall unit when not in use.
- Optional legs can be folded after the bed is closed.
- Gas springs provided as a counter weight.
- Dead Load Range: 55 - 60Kgs.
- Finish : Anthracite

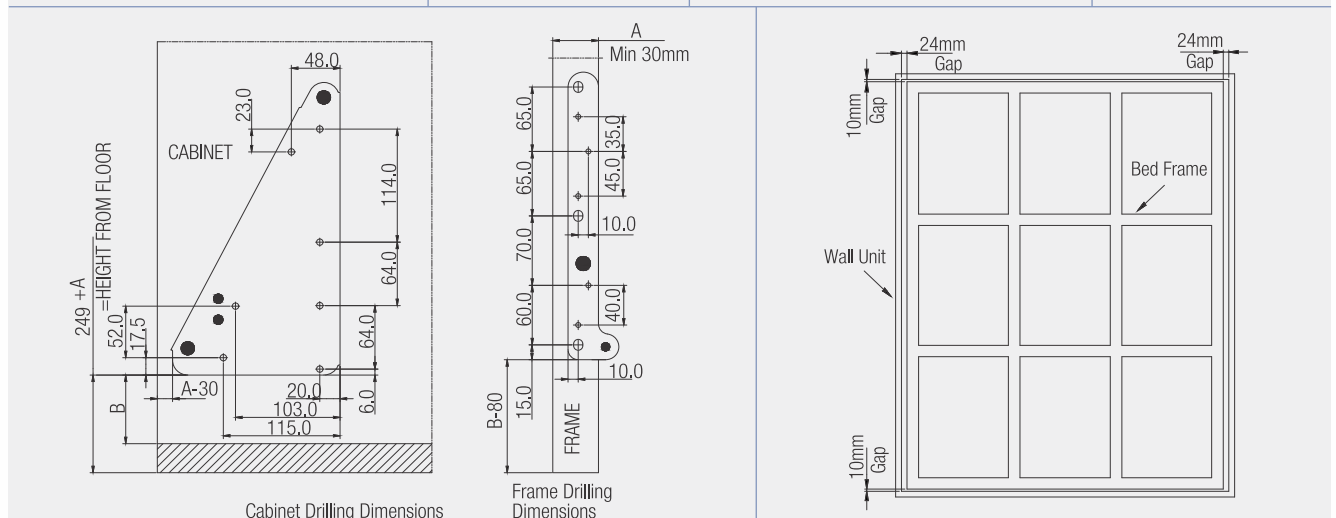
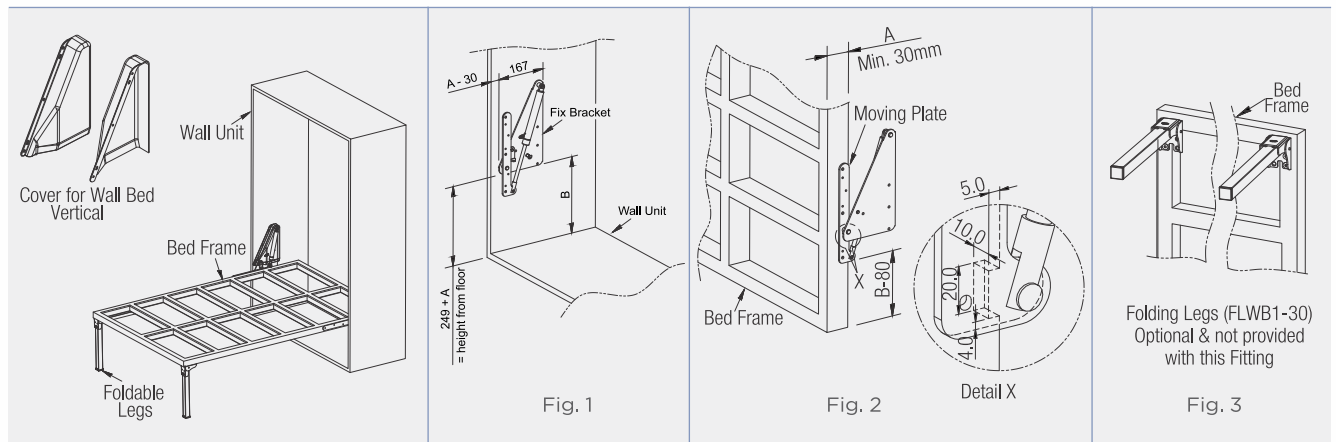
Specifications

Item	Code Nos.	Load
Wall Bed Fittings-Vertical	WBV120	1200 N
Folding Legs for Wall Bed Fitting	FLWB130	-



Fitting Instructions

1. Recommended size of bed = 4 x 6 feet.
2. Side gaps of 24mm & 10mm to be strictly maintained.
3. Mark the holes by keeping fix bracket in wall unit for dimensions Refer Fig. 1.
4. Measure dimension 'B' i.e. from internal bottom edge of wall unit to the bottom edge of fix bracket, & fix the moving plate to the bed frame as shown in Fig. 2.
5. Fix the leg bracket of foldable legs (optional) at the extreme corners of the bed frame as shown in Fig. 3.
6. Fit the back wall after mounting the piston.



Caution

- Gas springs used are highly pressured, do not dismantle or damage and do not expose to heat or fire.

WALL BED FITTING - HORIZONTAL (WITH COVER)

Special Features

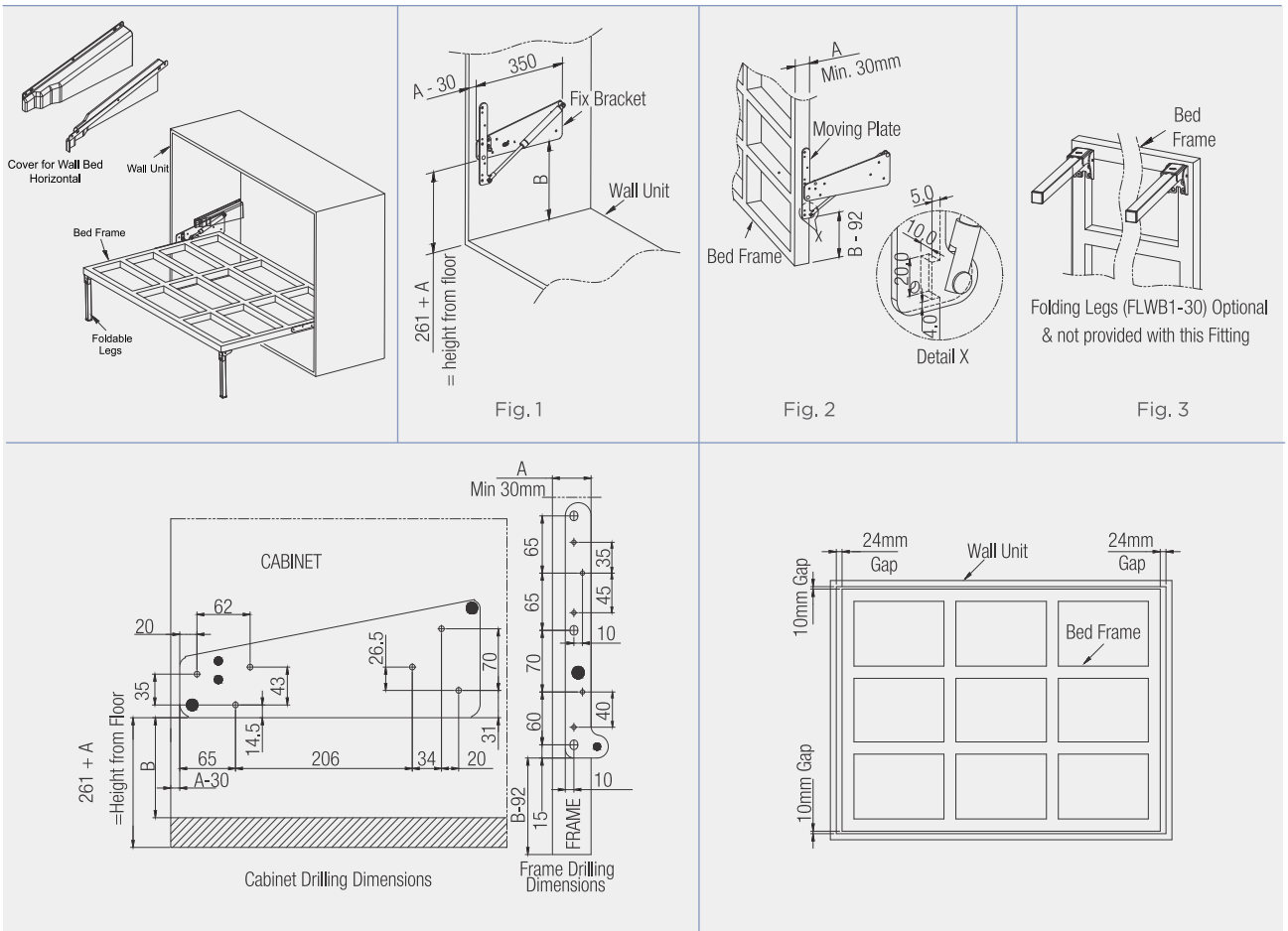
- Hidden bed on the wall!
- This space saving solution is ideal for student's room, children's room, hostel, etc.
- The bed gets concealed in the wall cabinet when not in use.
- Folding legs to be purchased separately
- Dead Load Range: 35 - 40Kgs
- Finish: Anthracite

Specifications

Item	Code Nos.	Load
Wall Bed Fittings-Horizontal	WBH75	750 N
Folding Legs for Wall Bed Fitting	FLWB1-30	-

Fitting Instructions

1. Recommended size of bed = 6 x 4 feet.
2. Side gaps of 24 mm & 10 mm to be strictly maintained.
3. Mark the holes by keeping fix bracket in wall unit for dimensions Refer Fig.1.
4. Measure dimension 'B' i.e. from internal bottom edge of wall unit to the bottom edge of fix bracket, & fix the moving plate to the bed frame as shown in Fig. 2.
5. Fix the leg bracket of foldable legs (optional) at the extreme corners of the bed frame as shown in Fig. 3.
6. Fit the back wall after mounting the piston.



Caution

- Gas springs used are highly pressured, do not dismantle or damage and do not expose to heat or fire.

BED FRAME WITH SLATS (WITH BED CROSSBAR SUPPORT)



Special Features

- Bed frame with slats and crossbar provides a support to mattress.
- Available in 3 sizes.
- Finish: Anthracite

Specifications

Code No.	Size (mm)
BFSS-820	820x2000
BFSS-1520	1525x2000
BFSS-1820	1825x2000



ACCESSORIES FOR BED

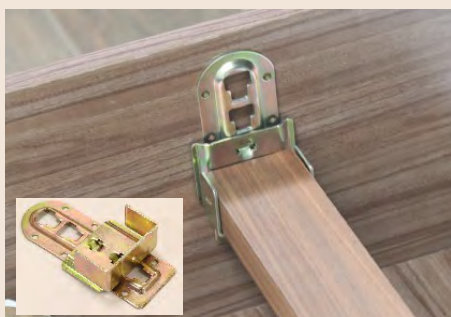


MOUNTING SCREW KIT

- Mounting screw kit for Pro-lift Bed fittings
- Comes in a set of Screw, Nuts & Washers
- Available in two sizes M6 & M8
- Finish: Zinc white

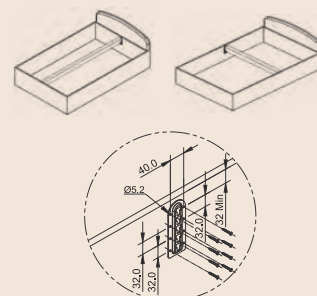
Specifications

Code No.	Size
PLBF-M6K	M6
PLBF-M8K	M8



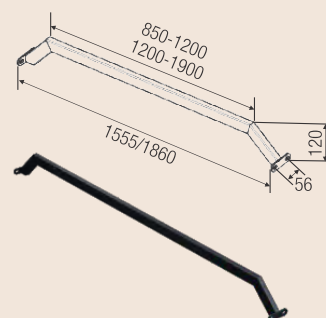
BED CROSSBAR CLAMP

- Solution for Bed Central Support
- Easy to mount & use with flexible height adjustment
- System 32 compatible
- Load Capacity - Gross 200 kg/set
- Available in Zinc Plated Yellow finish
- Code: BCC1



BED CROSSBAR TELESCOPIC

- Ideal solution to provide support to the center zone of the bed
- The cross-rail support to be lengthened or shortened to support different size beds
- Adjusts in width from 850 - 1200mm / 1200 - 1900mm to accommodate as per different bed sizes
- Can be retrofitted in existing bed frame
- Finish: Anthracite
- Code: BC - BT1/2

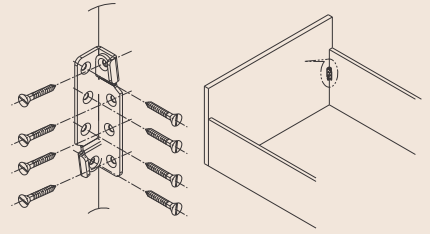


ACCESSORIES FOR BED



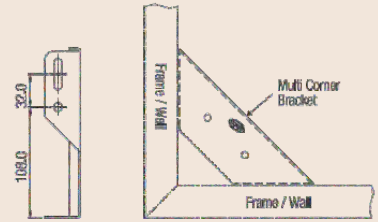
BED CLAMP

- Clips easily in to each other forming a strong joint
- Requires four joints to form a bed frame
- Size: BC4(95mm/4"), BC6(150mm/6")
- Load per set: 1200 Kgs
- Available in Zinc Plated Yellow finish



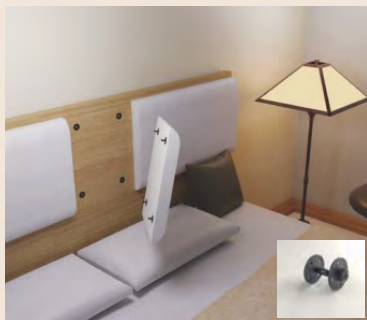
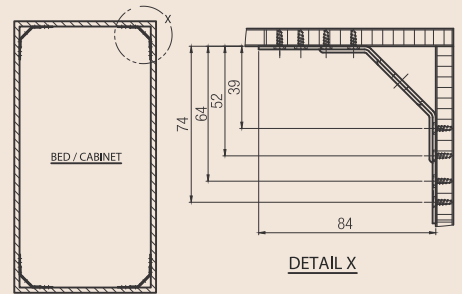
MULTI CORNER BRACKET

- Designed for strength & right angle
- To be used at 4 corners of bed
- Size: 165x165x35mm
- Available in Black, Anthracite, White Matt finish
- Code: MCB7



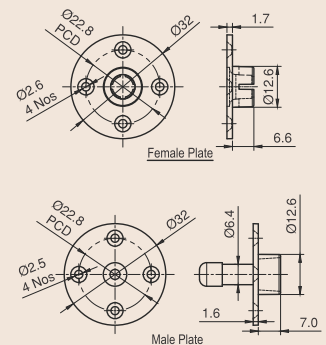
UTILITY CORNER BRACKET

- Ideal for right angle and corner joints
- To be used at 4 corners of bed / cabinet
- Size 84 x 84mm
- Available in Zinc Plated Yellow finish
- Code: UCB84



PANEL CATCH Design Application No.: 359233/001

- Ideal for joining multiple panel installations
- Use in multiple sets for bigger panels
- Easy installation & designed for good strength
- Applicable for upholstered panels, headboards, acoustic upholstered wall, etc.
- Size: Ø32X25.5mm
- Code: PNCT1





“The smart way to sleep. And store!”

J Bumrah

Jasprit Bumrah

Truly Indian and world-class!

The First. The Original. ProLift Bed Fittings by Livsmart.

- Sleep comfortably and store more! Using one multi functional bed.
- Easy accessibility, every day.
- Safe and secure.
- Choose from wide range of manual and electric (switch / remote) models and as per the bed size.



Scan with smartphone to view our latest Brochures.



Scan with smartphone to view Display Centers Network

Truly Indian and World-Class.

Reach us at info@ebco.in or call +91-22-6783 7777
Toll free 1800 120 1122 | Web ebco.in | shop.ebco.in

