



Wardrobes that speak your language.



Bedroom Furniture Fittings
and Accessories



Hi Slide Overlay 2 Door / 2 Door with Soft Close / 2 Door with Soft Close 80kgs



- Specially designed for two Overlay top running shutters.
- Max. load upto 50 kgs / shutter.
- Door width from 500mm.
- Soft Close function allows the shutter to close in slow motion without banging.

Items	Code Nos.	Door Thickness (Max.) mm	Finish
Hi Slide Overlay 2 Door 22mm	HSO 222	22	Powder Coated
Hi Slide Overlay 2 Door 28mm	HSO 282	28	
Hi Slide Overlay 2 Door (Soft Close) 22mm	HSO 222SC	22	
Hi Slide Overlay 2 Door (Soft Close) 28mm	HSO 282SC	28	
Hi Slide Overlay 2 Door (Soft Close) 22mm-80kgs	HSO 222SC-80	22	
Hi Slide Overlay 2 Door (Soft Close) 28mm-80kgs	HSO 282SC-80	28	
Al. Track (Top) - 2.44m	HSO - TT12	-	Anodized Silver
Al. Track (Top) - 3.66m	HSO - TT13	-	
Al. Track (Bottom) - 2.44m	HSO - BT12	-	
Al. Track (Bottom) - 3.66m	HSO - BT13	-	
Soft Close kit for HSO 222SC / 282SC / 223SC / 283SC - 80kgs	HSOK 80SC	-	-

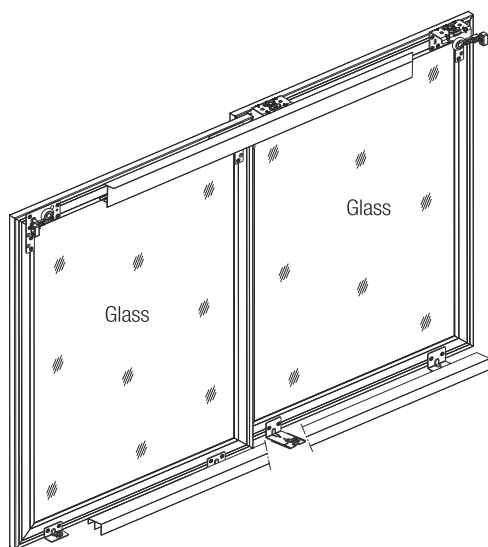
Hi Slide - Overlay 3 Door / 3 Door with Soft Close / 3 Door with Soft Close 80kgs



- Specially designed for three Overlay top running shutters.
- Max. load upto 50 kgs / shutter.
- Door width from 500mm.
- Soft Close function allows the shutter to close in slow motion without banging.

Items	Code Nos.	Door Thickness (Max.) mm	Finish
Hi Slide Overlay 3 Shutters 22mm	HSO 223	22	Powder Coated
Hi Slide Overlay 3 Shutters 28mm	HSO 283	28	
Hi Slide Overlay 3 Shutters (Soft Close) 22mm	HSO 223 SC	22	
Hi Slide Overlay 3 Shutters (Soft Close) 28mm	HSO 283 SC	28	
Hi Slide Overlay 3 Shutters (Soft Close) 22mm-80 Kgs.	HSO 223SC-80	22	
Hi Slide Overlay 3 Shutters (Soft Close) 28mm-80 Kgs.	HSO 283SC-80	28	
Al. Track (Top) - 2.44m	HSO - TT12	-	Anodized Silver
Al. Track (Top) - 3.66m	HSO - TT13	-	
Al. Track (Bottom) - 2.44m	HSO - BT12	-	
Al. Track (Bottom) - 3.66m	HSO - BT13	-	
Soft Close kit for HSO 222SC / 282SC / 223SC / 283SC - 80kgs	HSOK 80SC	-	-

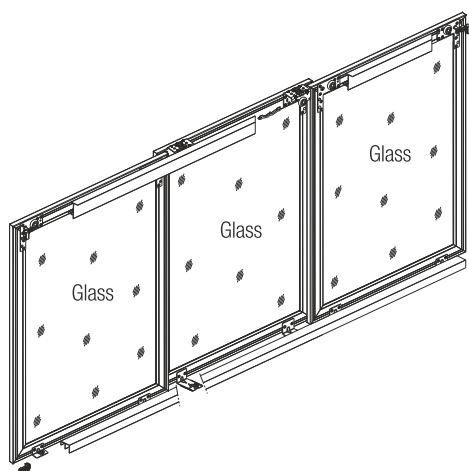
Hi Slide Overlay - Al. Profile Shutter for 2 Door / 2 Door with Soft Close / 2 Door with Soft Close 80 kgs



- Specially designed for two Overlay top running Aluminium Profile Glass Shutters.
- Max. load upto 50 kgs / shutter.
- Soft Close function allows the shutter to close in slow motion without banging.
- Compatible with 'ebco' aluminium shutter profiles. Code Nos. :- GSP 4-55 & GSP 4-50.

Items	Code Nos.	Door Thickness (Max.) mm	Finish
Hi Slide Overlay - Aluminium Profile Shutters (2 Shutters)	HSO APS 2	22	Powder Coated
Hi Slide Overlay - Aluminium Profile Shutters (2 Shutters with Soft Close)	HSO APS 2 SC		
Hi Slide Overlay - Al. Profile Shutter for 2 Shutters (Soft Close) 80 Kgs.	HSO APS 2SC-80		
Al. Track (Top) - 2.44m	HSO - TT12	-	Anodized Silver
Al. Track (Top) - 3.66m	HSO - TT13	-	
Al. Track (Bottom) - 2.44m	HSO - BT12	-	
Al. Track (Bottom) - 3.66m	HSO - BT13	-	

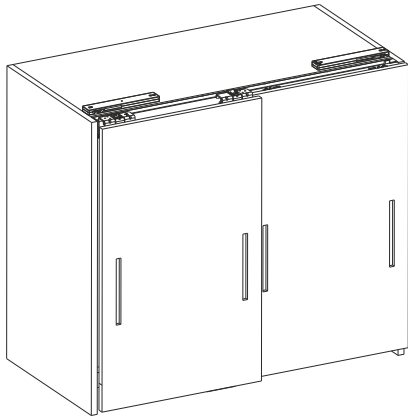
Hi Slide Overlay - Al. Profile Shutter for 3 Door / 3 Door with Soft Close / 3 Door with Soft Close 80kgs



- Specially designed for three Overlay top running Aluminium Profile Glass Shutters.
- Max. load upto 50 kgs / shutter.
- Door width from 500mm.
- Compatible with 'ebco' aluminium shutter profiles Code Nos. :- GSP 4-55 & GSP 4-50.

Items	Code Nos.	Door Thickness Max. (mm)	Finish
Hi Slide Overlay - Aluminium Profile Shutters (3 Shutters)	HSO APS 3	22mm	Powder Coated
Hi Slide Overlay - Aluminium Profile Shutters (3 Shutters with Soft Close)	HSO APS 3SC		
Hi Slide Overlay - Al. Profile Shutter for 3 Shutters (Soft Close) 80 Kgs.	HSO APS 3SC-80		
Al. Track (Top) - 2.44m	HSO - TT12	-	Anodized Silver
Al. Track (Top) - 3.66m	HSO - TT13	-	
Al. Track (Bottom) - 2.44m	HSO - BT12	-	
Al. Track (Bottom) - 3.66m	HSO - BT13	-	

Hi Slide Topper 20



- Specially designed for 2 & 3 Overlay top running shutters.
- For wardrobes with extra large shutters with effortless opening & sliding.
- Max. weight per door - 50 Kgs.
- Thickness of door ranging from 16mm to 20mm.
- Soft closing & soft opening function allows the shutter to close in slow motion without banging.

Items	Code Nos.
Hi Slide Topper 20 - 2 Doors	HST20-502
Al. Track (Top & Bottom) 2.44 Mtrs.	HST20-T1
Hi Slide Topper 20 - 3 Doors	HST20-503
Al. Track (Top & Bottom) 3.66 Mtrs.	HST20-T2
Centro	HSTC1

Hi Slide Topper 25



- Top running Overlay sliding door system.
- For wardrobes with extra large doors, for effortless opening and sliding.
- Max. wardrobe width - 2.6 meters (2-doors) and 3.9 meters (3-doors).
- Soft closing system (In both directions - open and close).
- Max. door thickness - 25mm.
- Max. weight per door - 85kgs.

Items	Code Nos.	Max. Door Thickness & Weight	Finish
Hi Slide Topper 25 for 2 Doors	HST 25-552	Door Thickness: 18-25mm Max. Weight per Door: 85Kgs	Silver
Hi Slide Topper 25 for 3 Doors	HST 25-553		Silver
Soft Close Kit for Hi Slide Topper 25	HST S25SC	—	Grey
Al. Track for Hi Slide Topper 25 (for Top)	HST 25 TT	—	Al. Anodized
Clip for Top Rail	HST 25 CT	—	Black
Al. Track for Hi Slide Topper 25 (for Bottom)	HST 25 TB	—	Al. Anodized
Clip for Bottom Rail	HST 25 CB	—	Black

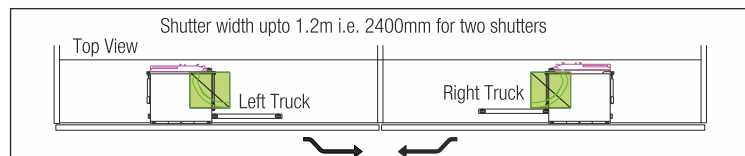
Hi Slide INLINE 85 / 55



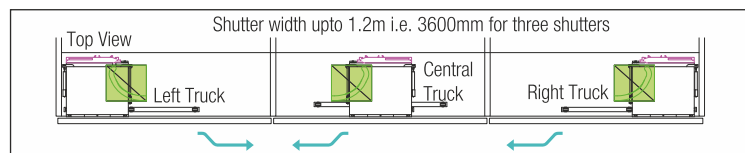
- For wardrobes with extra large shutters with effortless opening and sliding.
- Doors inline after closing.
- Max. wardrobe width - 4 meters (2 doors) and 3.6 meters (3 doors)
- Max. door thickness - 45mm.
- Max. weight per door :
Hi Slide Inline 55 (2 doors & 3 doors) - 55kgs.
Hi Slide Inline 85 (2 doors) - 85kgs.

Items	Code Nos.	Max. Door Width	Finish
Hi Slide Inline - 55Kgs. (Left Truck) for 1 Door	HSI 45-55L	1.2m	Silver
Hi Slide Inline - 55Kgs. (Right Truck) for 1 Door	HSI 45-55R	1.2m	Silver
Hi Slide Inline - 55Kgs. (Central Truck) for 1 Door	HSI 45-55C	1.2m	Silver
Hi Slide Inline - 85Kgs. (Left Truck) for 1 Door	HSI 45-85L	2.0m	Silver
Hi Slide Inline - 85Kgs. (Right Truck) for 1 Door	HSI 45-85R	2.0m	Silver
Al. Track for Hi Slide Inline (for Top & Bottom): 3 meters	HSI 45 T-K	—	Al. Anodized
Al. Track for Hi Slide Inline (for Top & Bottom): 4 meters	HSI 45 T-K4	—	Al. Anodized

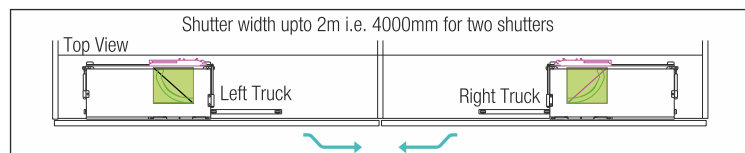
Inline 55 – 2 doors



Inline 55 – 3 doors



Inline 85 – 2 doors



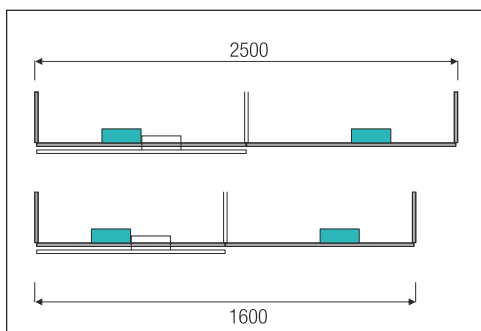
Hi Slide INLINE 25



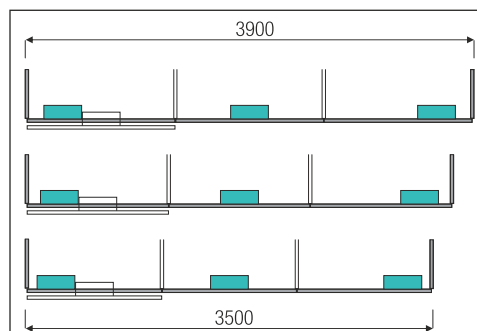
- Flush fitting Inline sliding door system : Door inline after closing.
- For cabinets where each shutter weighs upto 25kgs.
- Soft Closing : While closing, running action is softened right upto the point where it meets the side panel.
- Same system for upper cabinet and lower cabinet.
- Available for 2-doors and 3-doors cabinets.
- Door height upto 1400mm for upper cabinets.
- Door thickness upto 40mm.
- Max. door width - 1300mm.

Items	Code Nos.	Size
Hi Slide Inline 25 (2-Doors)	HSI 25-2D	Cabinet Width: min. 1600mm - max. 2500mm
Hi Slide Inline 25 (3-Doors)	HSI 25-3D	Cabinet Width: min.3500mm - max. 3900mm
Al. Profile Kit For Hi Slide Inline 25 (2500mm)	HSI 25T-250	2500mm
Al. Profile Kit For Hi Slide Inline 25 (3000mm)	HSI 25T-300	3000mm
Vertical Syncro Fitting for 2 Door Kit	HSI 25VS-2D	1200mm
Vertical Syncro Fitting for 3 Door Kit	HSI 25VS-3D	1200mm

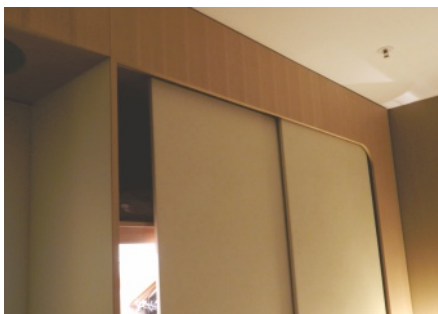
For 2-Doors



For 3-Doors



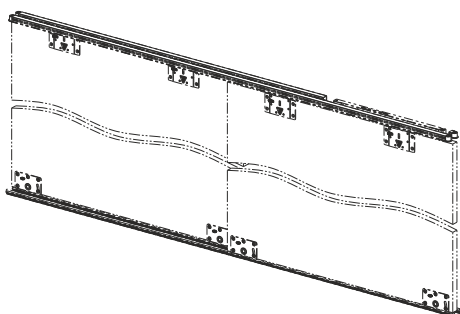
Hi Slide - 90 (Dome Track)



- For flush mounted inset sliding shutters.
- Bottom Dome Track for smooth rolling upto 90 kgs.
- Special guide rollers provided to avoid noise while sliding.
- System 32 compatible.

Items	Code Nos.
Hi-Slide 90 (Dome Track)	HS-90 DT
Al. Track for Hi-Slide 90 DT (for top)	HS-90 TT-AS
Al. Track for Hi-Slide 45 DT/90 DT (for bottom)	HS-45 DT-AS
Hi-Slide 90 Twin Track - Top	HSDT-TTT
Hi-Slide Dome Twin Track - Bottom	HSDT-TDT

Hi Slide 50



- For flush mounted sliding shutters.
- Bottom dome track for smooth rolling.
- Soft closing & Soft opening allows the shutter to close & open in Slow motion without banging, thus increasing the life of furniture.
- Load capacity - 50 kgs.

Items	Code Nos.	Finish
Hi Slide 50 Soft Close	HS50-2	Zinc Plated White
Al. Track Top	HS50-T1	Anodized Silver
Al. Dome Track Bottom	HS-45 DT-AS	
Al. Dome Twin Track Bottom (Optional)	HSDT-TDT	

Hi Slide - 45 (Dome Track)



- For flush mounted inset sliding shutters.
- Bottom Dome Track for smooth rolling.
- Bottom Running Shutters upto 45 kgs.
- Option of soft closing system.
- For shutter thickness from 16mm to 22mm.
- System 32 compatible.

Items	Code Nos.
Hi-Slide 45 (Dome Track)	HS-45 DT
Al. Track HS-45 / HS-45DT (for top)	HS-45-AS
Al. Track HS-45DT / HS-90DT (for bottom)	HS-45 DT-AS
Hi-Slide Dome Twin Track - Bottom	HSDT-TDT

Hi Slide - 45



- For flush mounted inset sliding shutters.
- Common top and bottom track.
- Bottom running shutters upto 45kgs.
- Option of soft closing system.
- For shutter thickness from 16mm to 22mm.
- System 32 compatible.

Items	Code Nos.
Hi-Slide 45	HS-45
Aluminium Track (for top / bottom) - 2.44 mtr	HS-45 AS2
Aluminium Track (for top / bottom) - 3.66 mtr	HS-45 AS3

Soft Close Kit for HS 45/HS 45 DT



- For flush mounted inset sliding shutters.
- Unique external damping system soft closes the motion of shutter while closing.
- System 32 compatible.

Code Nos.	Max. Load
HS-SCK2-40	40 kgs

Hi Slide - Twin



- For sliding shutters and bi-parting doors.
- Top running twin wheel design.
- Minimum door thickness required - 1".
- Load capacity - 120kgs.

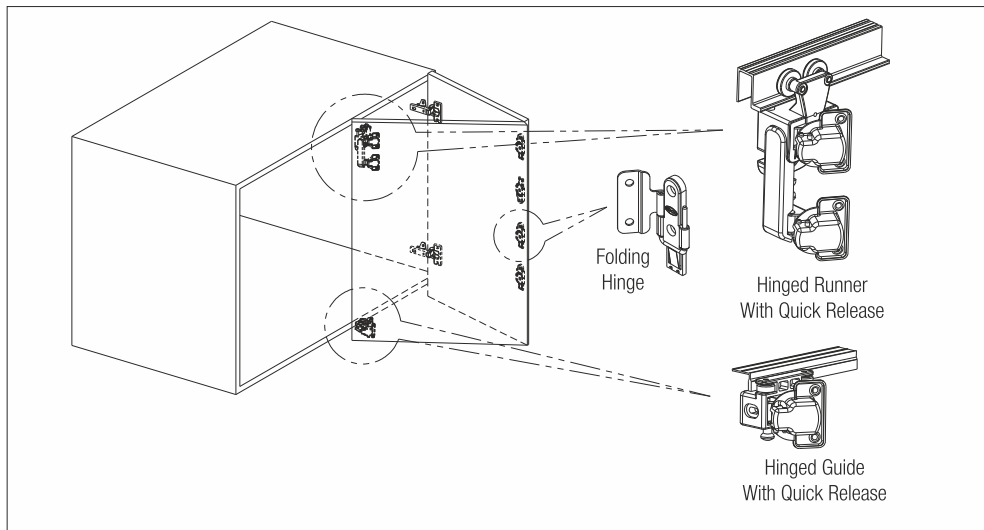
Items	Code Nos.
Hi-Slide - Twin	HS-T1
Aluminium Track (2.44 mtr)	HS-T AS2
Aluminium Track (3.66 mtr)	HS-T AS3

Hi - Fold Fittings 300

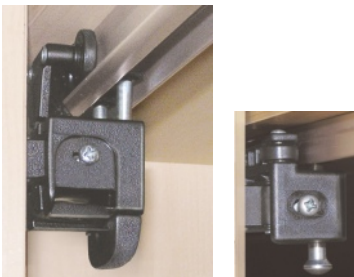


- Ergonomically designed for overlay sliding shutters, bottom guide track is hidden.
- Manufactured out of durable plastics.
- High precision rolling.
- Quick release mechanism provided.
- Templates provided for drilling.

Items	Code Nos.	Max. Width of Each Shutter	Max. Weight of Each Shutter
Hi- Fold Fittings	HFF 300	500mm	20Kgs.
Runner Track	HFF - RT	—	—
Guide Track	HFF - GT	—	—



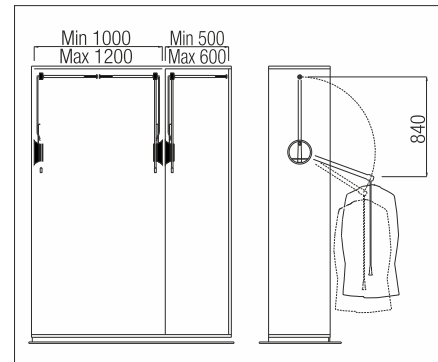
Hi - Fold Fittings 200



- Ergonomically designed for overlay sliding shutters, bottom guide track is hidden.
- Manufactured out of durable plastics.
- High precision rolling.
- Quick release mechanism provided.
- Templates provided for drilling.

Items	Code Nos.	Max. Width of Each Shutter	Max. Weight of Each Shutter
Hi- Fold Fittings	HFF 200	500mm	10Kgs.
Runner Track	HFF - RT	—	—
Guide Track	HFF - GT	—	—

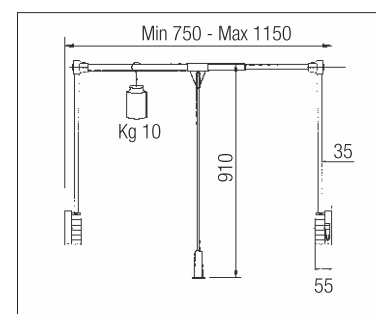
Wardrobe Lift Single Arm - 12



- A mobile clothes hanging bar which allows the upper spaces of wardrobes to be used without the danger and inconvenience of ladders and stools.
- It enables the wardrobe interior to be used in a new way, hanging suits and dresses at the top.
- It can be lowered, locked in position to load or unload clothing, before returning easily into the wardrobe with help of an inbuilt pneumatic device.
- Particularly suited to interiors 500mm wide (one door) to 1200mm wide (two door).
- In two-door wardrobes the solution with Wardrobe Lift 12R and Wardrobe Lift 12L enables only one door to be opened.
- Load Capacity 12Kgs.

Items	Code Nos.	Width (mm)	Finish
Wardrobe Lift - 12R (Right)	P-WLSA-12R	500 - 600	Grey
Wardrobe Lift - 12L (Left)	P-WLSA-12L	500 - 600	

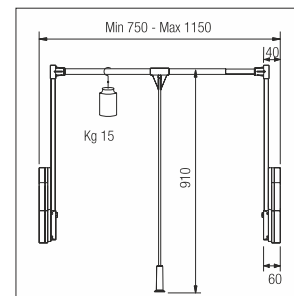
Wardrobe Lift Side Mount - 10



- It enables the wardrobe interior to be used in a new way, hanging suits and dresses at the top.
- Particularly suited to interiors from 750mm to 1150mm wide.
- It can be lowered, locked in position to load or unload clothing, before returning easily into the wardrobe silently.
- The lift is returned to the top position by a hydraulic device operated with a specially designed fluid and is fixed directly into the "System 32" hole with fastening screws.
- It is equipped with a pull-out rail for momentary hanging of clothes.
- Load Capacity 10Kgs.

Code No.	Width (mm)	Finish
P-WLSM-10	750 - 1150	Grey

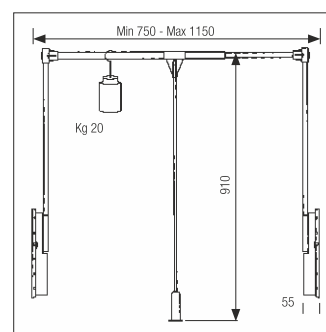
Wardrobe Lift Side Mount - 15



- It enables the wardrobe interior to be used in a new way, hanging suits and dresses at the top.
- Particularly suited to interiors from 750mm to 1150mm wide.
- It can be lowered, locked in position to load or unload clothing, before returning easily into the wardrobe silently.
- The lift is returned to the top position by a hydraulic device operated with a specially designed fluid and is fixed directly into the "System 32" hole with fastening screws.
- It has a specially shaped base to avoid door hinges.
- Load Capacity 15Kgs.

Code No.	Width (mm)	Finish
P-WLSM-15	750 - 1150	Grey

Wardrobe Super Lift Flexi - 20



- Comes with a "Power Variator" for adapting to various lift load requirements (from 14 to 20 kg) and an arm verticality regulator for adapting to various wardrobe depths.
- The lift is returned to the top position by a hydraulic device operated with a specially designed fluid and is fixed directly into the "System 32" hole with fastening screws.
- Particularly suited to interiors from 750mm to 1150mm wide.
- Load Capacity 20 Kgs.

Code No.	Width (mm)	Finish
P-WSLF-20	750 - 1150	Grey

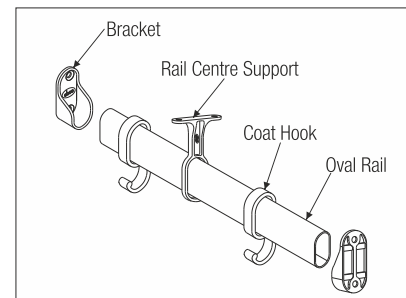
Wardrobe Lift Wall Mount - 10



- Mobile clothes hanger specially designed for wall mounting. It is used to fit in wardrobe interiors, storerooms and shops.
- The lift is returned to the top position by a hydraulic device operated with a specially designed fluid.
- The plastic parts are in nylon reinforced with grey fiberglass, the vertical arms are in steel painted aluminium grey and the horizontal bar is in chromium plated steel.

Code No.	Width (mm)	Finish
P-WLWM-10	750 - 1150	Grey

Wardrobe Rail Fittings



- These oval wardrobe rail supports are die cast for strength and long life.
- Easy to fit and compatible with a special oval rail.
- Wardrobe rails are available in SS 304 polished and Aluminium Anodized.
- Coat hooks are also available.
- System 32 compatible.
- Rail centre supports are elegantly designed, manufactured out of Zinc alloy for strength and increasing the load bearing capacity of wardrobe rails.

Items	Code Nos.#	Length (mtr)	Finish
Bracket	WRF - B1	---	Nickel Plated
Bracket	WRF - B1(l)	---	
Bracket MS	WRF - B2	---	
Rail	WRF - RS1	1	SS 304 Polished
	WRF - RS2	2	
	WRF - RA1	1	Aluminium Anodized
	WRF - RA2	2	
	WRF - RA3	3	
Coat Hook*	WRF - CH	---	Nylon Black or Silver Grey
Rail Centre Support	WRF - RS1	---	Nickel Plated
	WRF - RS1(l)	---	Nickel Plated
Rail Side Support	WRF - RS2(l)	---	Nickel Plated

Add 'B' or 'G' for Black or Silver Grey.



- Store trousers without creasing them with this innovative trouser rack.
- The elegant, stable Libell steel shelf can be mounted on either the right or left wall of the wardrobe.
- Allows up to 15 hangers to be hung up or taken out individually and moved easily from side to side.
- The shelf also provides an additional storage space for belts, jewellery and other small items.

Item	Code No.
LINA 450 (Shelf with 9 hangers)	L-LN 45
3 hanger set for LINA	L-LNH3

Libell Extendo Drawer Shelves



- This discreet pull-out shelf blends in perfectly in kitchens, living rooms and dressing rooms.
- It combines direct access through the front of the shelf with an excellent overview of shelf contents, making it truly unique.
- The unobtrusive magnetic non-slip mats stick to the shelf surface & can be removed for cleaning.
- The shelf's closed base and rim prevent objects from falling out or jamming.
- The material's rigidity makes it especially suitable for use in widths of 450, 600 & 900 mm.
- The shelves are easy to clean thanks to their curved corners.
- Also suitable for use with sliding doors.

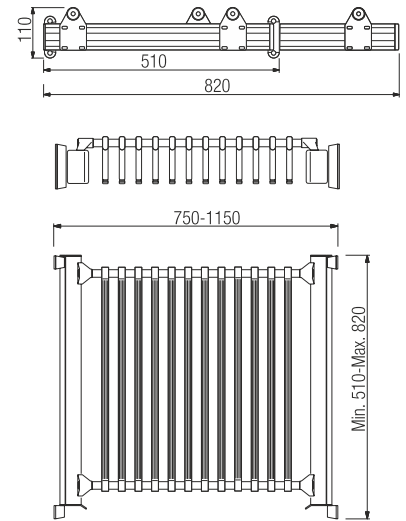
Items	Code Nos.	Size
Extendo 450 with Non-Slip Magnetic Mat *	L-EXT 45	400 x 495 x 90mm
Extendo 600 with Non-Slip Magnetic Mat *	L-EXT 60	550 x 495 x 90mm
Extendo 900 with Non-Slip Magnetic Mat *	L-EXT 90	850 x 495 x 90mm
Extra Shelf to Extendo 600	L-EXT-60 ES	550 x 495 x 90mm
Extra Shelf to Extendo 900	L-EXT-90 ES	850 x 495 x 90mm

* Available as set with Ebco Quadrail Slides

Wardrobe Rack - Trouser / Sari



- The Wardrobe Rack has a high capacity; each trouser hanger is designed in loop shape and can hold at least two pairs. Each rack also has two hangers for skirts or ties.
- The hangers are easily removable from the structure. The Wardrobe Rack is fastened to both sides of the wardrobe and the width is adjustable using two telescopic tubes to fit different sized units. Partially pulls out on aluminium ball bearing runners.
- The plastic parts are in nylon reinforced with grey fiberglass, the profiles are in silver anodized aluminium and the tubes are in chromium plated steel.
- Adjusts to width of unit (from 750 mm to 1150 mm),
- Min. 24 pairs of trousers / saris.

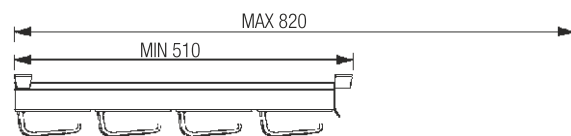


Item	Code No.
Wardrobe Rack	P-WR-TS
Extra Hanger	P-WS-TS-EH

Hanger Rack



- The hanger rack is a partially pull-out hanger mounted under wardrobe shelves.
- Particularly suited to narrow and deep spaces.
- The plastic parts are in nylon reinforced with grey fiberglass, the runner is in silver anodized aluminium.
- Capacity: 16 hangers.



Code No.	P-WHR

Pullout Trouser Hanger



- Pullout Trouser Rack has 9 rods for directly hanging the trousers and saris. For 500mm depth wardrobes.

Code No.	Size	Finish
WA-TH1	455 x 350 x 155	SL

Pullout Hanger Holder



- Pullout Hanger Holder with capacity to hold 9 cloth hangers and consists of a pull-out system. For 500mm depth wardrobes.

Code No.	Size	Finish
WA-HH1	200 x 450 x 130	SL

Utility Trouser and Sari Rack



- Aluminium frame, ideal for hanging trousers, saris, ties, belts & contains small baskets for keeping small accessories.

Code No.	Size	Finish
WA-UTS1	864 x 450 x 87	SL

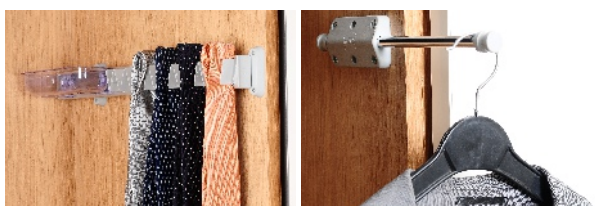
Trouser Rack



- A pullout rack which is easy to install, ergonomically designed and above all durable.
- Manufactured out of aluminum and plastic.
- It can hold trousers and sarees.
- It can be folded down to save space.

Code No.	Size	Finish
TRR 1	450	Black

Pullout Tie Hanger / Temporary Hanger



Pullout Tie Hanger

- Tie Hanger, featuring modern, original lines with clips for easy positioning of ties, belts and scarves.
- It also has a handy transparent catch-all tray.
- Partially pulls out on an aluminium ball bearing runner.
- The plastic parts are in nylon reinforced with grey fiberglass, the runner is in silver anodized aluminium.
- Capacity: 19 places.

Temporary Hanger

- Temporary Hanger is a small and very convenient accessory. Fastened either to the sides of the wardrobe or under shelves, it enables clothes to be hung temporarily.
- The plastic parts are in nylon reinforced with grey fiberglass, the small tube is in chromium-plated steel.

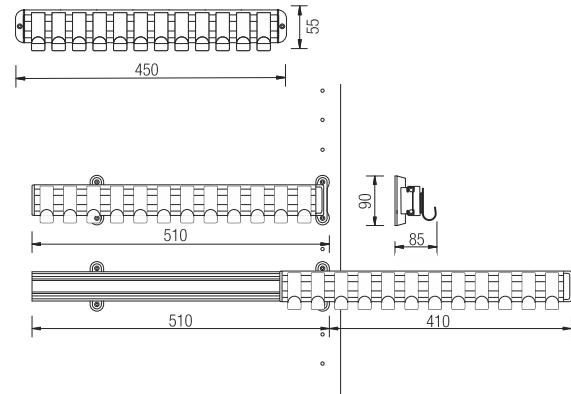
Items	Code Nos.	Size
Pullout Tie Hanger	P-WPTH	510
Temporary Hanger	P-WTH	245

Pullout Belt Hanger



Code No.	P-WPBH
----------	--------

- Pullout belt hanger features modern, original lines with twelve hooks enabling belts of various size and type to be easily stored.
- Partially pulls out on an aluminium ball bearing runner.
- The plastic parts are in nylon reinforced with grey fiberglass, the runner is in silver anodized aluminium.
- Capacity: 12 places.



Tie Rack



- A pullout rack which is easy to install, ergonomically designed and above all durable.
- Manufactured out of aluminum and plastic.
- It can hold over 16 ties and even has a special tray to keep small articles.

Code No.	Size	Finish
TIR 1	450	Black

Tie & Belt Holder



- Elegantly designed.
- Made out of SS 304.
- Easy to use and fits on the inside of any cupboard door.
- Special clip provided to prevent the movement of holder.
- Also available with nickel plated die cast brackets.

Code No.	Size	Finish
TH12	300 x 270 x 30	SS 304

Pullout Basket for Wardrobes



- Easy to use.
- Special Plastic Brackets are designed to fit Basket onto Slide.
- Available in 6 sizes.

Code Nos.	Cabinet Internal Dimensions (mm)			Finish
	Width Min.	Depth Min.	Height Min.	
PBW 16-18-6	414	450	150	SS
PBW 18-18-6	464	450	150	
PBW 22-18-6	564	450	150	
PBW 16-18-8	414	450	200	
PBW 18-18-8	464	450	200	
PBW 22-18-8	564	450	200	
MTDS 45	450mm			Zinc White

Wardrobe Basket-Wicker / SS 304



Wicker



SS304

- Available in Wicker (plastic) and SS 304. Easy to remove and fit, having load capacity of 18kgs. These accessories are designed to suit wardrobe width of 450mm & 900mm (adjustable) and depth of 500mm.
- To be fitted with pullout frame WA-PWF 45 and WA-PWF 90 for size 450 and 900mm respectively.

Items	Code Nos.	Size	Finish
Pullout Frame	WA-PWF 45	414 x 460	Silver
	WA-PWF 90	864 x 460	Silver
Wardrobe Basket Wicker	WA-WBW 45	290 x 427 x 185	WH / BE
	WA-WBW 90	740 x 427 x 185	WH / BE
Wardrobe Basket SS 304	WA-WBSS 45	290 x 427 x 203	SS
	WA-WBSS 90	740 x 427 x 203	SS

Shoe Rack



- New design. Comes in SS 304 with aluminium frame. Designed to suit wardrobe width of 900mm.

Code No.	Size	Finish
WA-SRSS 90	740 x 427 x 126	SS

Pullout Mirror



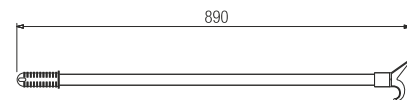
- Ideal for wardrobes with folding/sliding doors, 180° opening shutters, walk in wardrobes, etc.
- Uses minimum space of the cabinet and eliminates the need of a separate dressing table.
- Can be pulled out and turned by 90°.
- Minimum width required for turning is 230mm.
- Full height of the mirror ensures better view.

Code No.	Size	Finish
WA-POM	1205 x 390	Black

Wardrobe Stick



- Wardrobe Stick is a rod for putting away and removing clothes in medium-height wardrobes, particularly in children's bedrooms.
- The thickness and oval section of the rod makes it very robust.

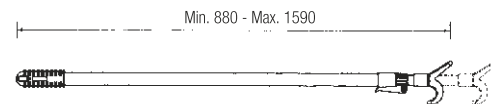


Code No.	P-WS1

Wardrobe Stick - Tele



- Wardrobe Stick - Tele is a telescopic rod designed for reaching hangers in very tall wardrobes, opening and closing Velux windows or blinds, or simply for reaching small objects in inaccessible spots around the house.
- The thickness and oval section of the two rods makes it very robust.
- These features, combined with the locking lever, unlike the traditional screw system, makes it a very handy piece of professional kit.



Code No.	P-WS2

Iron Rack



- Simple and elegant in appearance.
- Ideal for storing Iron Box on the wall.
- Cables can be wound up in the lower compartment.
- Easy to fit.
- Made out of SS 304.

Code No.	IR 6-5-10

Pro-lift Bed Fittings



- Ideal for storage under bed.
- Special gas spring available in four loads.
- 30° opening angle allows easy access.
- Easy to lift (with the weight of top board) with minimum force.
- Easy access as the gas lift keeps the bed top stay.
- Long brackets provided for better support to the bed platform.

Item	Code Nos.	Finish
Bed Lift Fittings - Regular	PLBF - R	Black
Bed Lift Fittings - Extended Arm	PLBF - E	Black

Code Nos.	Type	Max. Force (Kgs.)	Recommended bed size	
			Width (Feet)	Length (Feet)
PLBF 50C	Medium	50.0	2.5 to 3	5 to 6
PLBF 75C	Medium	75.0	3 to 4	6 to 6 ½
PLBF 120C	Heavy	120.0	4 to 5	
PLBF 150C	Heavy	150.0	5 to 6	

Pro-lift Bed Fittings - Easy Fit



- Ideal for storage under bed .
- Special gas spring available in four loads.
- 30° opening angle allows easy access.
- Easy to lift (with the weight of top board) with minimum force.
- Easy access as the gas lift keeps the bed top stay.
- Easy to Fit.

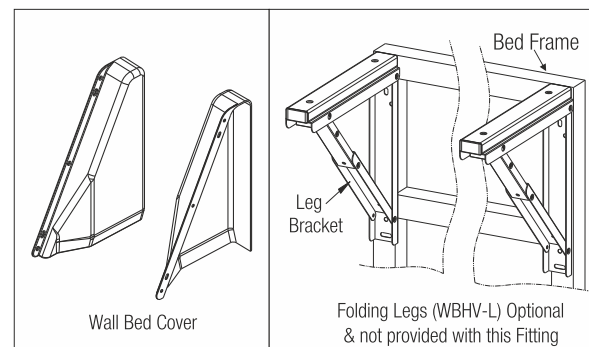
Item	Code Nos.	Finish
Bed Lift Fittings Easyfit - Regular	PLBF EF- R	Black
Bed Lift Fittings Easyfit - Extended Arm	PLBF EF- E	Black

Code Nos.	Type	Max. Force (Kgs.)	Recommended bed size	
			Width (Feet)	Length (Feet)
PLBF 50C	Medium	50.0	2.5 to 3	5 to 6
PLBF 75C	Medium	75.0	3 to 4	6 to 6 ½
PLBF 120C	Heavy	120.0	4 to 5	
PLBF 150C	Heavy	150.0	5 to 6	

Wall Bed Fittings - Vertical

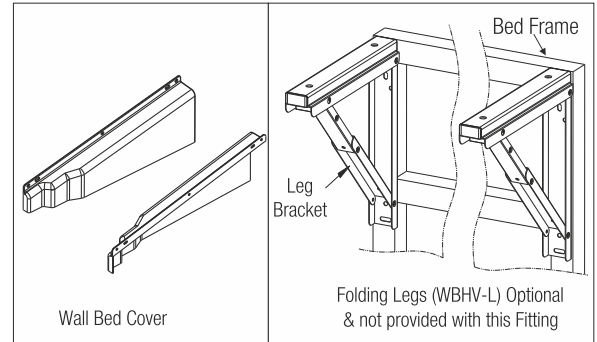


- Designed to save space of a bed.
- Bed gets concealed in wall unit when not in use.
- Optional legs fold along with bed while closing.
- Gas springs provided as a counter weight.
- Recommended size of bed = 5 x 6 ft.
- Optional bed cover as the fittings gets hidden inside for safety.



Code Nos.	Load	Finish
WBV -100	1000 N	Powder Coated Black
WBV-120	1200 N	
WBHV-L	-----	

Wall Bed Fittings - Horizontal



- Designed to save space of a bed.
- Bed gets concealed in wall unit when not in use.
- Optional legs fold along with bed while closing.
- Gas springs provided as a counter weight.
- Recommended size of bed = 6 x 4 ft.
- Optional bed cover as the fittings gets hidden inside for safety.

Code Nos.	Load	Finish
WBH 50	500 N	Powder Coated
WBH 75	750 N	Powder Coated
WBHV - L	-----	-----

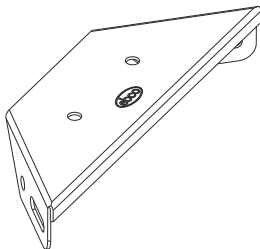
Bed Clamp



- Manufactured out of steel for strength.
- Clips easily in to each other forming a strong joint.
- Require four joints to form a bed frame.

Code Nos.	BC 4
	BC 6

Multi Corner Bracket



- Easy to fit.
- Designed for strength & right angle.
- To be used at four corners of bed.

Code No.	Finish
MCB7	Powder Coated Black

4-Digit Combination Lock



Wood



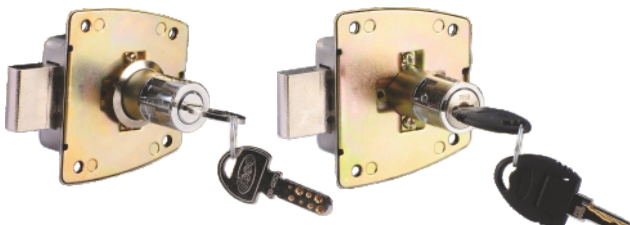
Pedestal



- Four Digit Combination lock for Keyless Operation.
- Replace any standard furniture lock to get instant keyless access.
- Once unlocked, the housing doubles as a knob; just rotate 90° to unlatch.
- The combination can be reset to any four digit number, providing up to 10000 possible combinations.
- Resolve forgotten secret code easily and rapidly with supplied key.
- Anti-bacterial plastic key cap with Microban Technology. Guaranteed to inhibit the growth of microorganisms by 99%.
- Quick-Fix System; easy to install.
- Available in different models for wooden (16mm- 20mm) and metal application.
- Finish - Textured Black.

Items	Code Nos.	Size (mm)	Finish
Combination Lock - Wood	P-CLW4-16	16-20	Black
Combination Lock - Pedestal	P-CLP4-16	16-20	
Front Mounting Aluminium Strip & Accessories	FMDS1-48	480	Plated
	FMDS1-58	580	

SecuRite Cupboard Lock



- Option of Dimple key and Wave key to choose from.
- Master key system (optional).
- Stainless steel cover: non-magnetic and rivet-less.
- Long latch for additional safety.
- Click action mechanism.

Items	Code Nos.	Size	Finish
SecuRite Cupboard Lock - (Dimple Key)	P-SRC-23 D	23mm	SS / Plated
	P-SRC-29 D	29mm	
	P-SRC-35 D	35mm	
SecuRite Cupboard Lock - (Wave Key)	P-SRC-23 W	23mm	SS / Plated
	P-SRC-29 W	29mm	
	P-SRC-35 W	35mm	

SecuRite Drawer Lock



- Option of Dimple key and Wave key to choose from.
- Master key system (optional).
- Stainless steel cover: non-magnetic and rivet-less.
- Long latch for additional safety.
- Click action mechanism.

Items	Code Nos.	Size	Finish
SecuRite Drawer Lock - (Dimple Key)	P-SRD-23 D	23mm	SS / Plated
	P-SRD-29 D	29mm	
SecuRite Drawer Lock - (Wave Key)	P-SRD-23 W	23mm	SS / Plated
	P-SRD-29 W	29mm	

Cupboard Lock



- Manufactured out of brass and chrome plated steel.
- Having 6 lever construction.
- Having bolt operation from either side.
- Can be mounted for vertical or horizontal operation.

Item	Code No.
Cupboard Lock	CSQL1

Wardrobe Lock - 2 Point

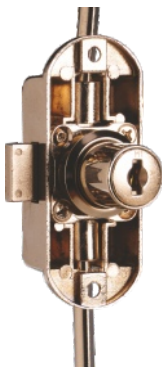


- Security and convenience is provided in this new design.
- Two point locking is achieved at the top and bottom, with the turn of a key, without having to use tower bolts.
- For twin openable shutter, use with auto bolt latch which automatically locks the first shutter when the second shutter is closed.
- Zinc alloy die cast chrome finish.

Item	Code Nos.
Wardrobe Lock 2 Point - Inset	P-WL2-22-I*
Wardrobe Lock - Overlay	P-WL2-22-O*

*Add FL to the item code for lock with flip key (available in 5000 combinations).

Wardrobe Lock - 3 Point



- Security and convenience is provided in this new design.
- Two point swing arm lock provides locking at the top and bottom, and a third point central locking, with the turn of a key, without having to use tower bolts.
- Zinc alloy die-cast chrome finish.

Items	Code Nos.
Wardrobe Lock-3 Point (22mm)	P-WL1-22*
Wardrobe Lock-3 Point (32mm)	P-WL1-32*

*Add FL to the item code for lock with flip key (available in 5000 combinations).

Sliding Wardrobe Lock



- Ideal for Sliding Wardrobe Shutters.
- Available in two sizes for 19mm and 25mm Shutters.

Code Nos.	Shutter Thickness in mm
P-WLS1-19*	19.0
P-WLS1-25*	25.0

*Add FL to the item code for lock with flip key (available in 5000 combinations).

Cupboard Lock - Steel Cabinet

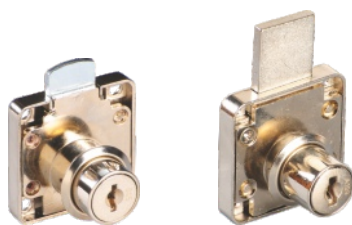


- Ideal for steel cabinet shutters with easy press fit.
- Closing & opening with the handle.
- Key locking restricts opening & closing.

Item	Code No.
Cupboard Lock-Steel Cabinet	P-CSQL 1SF*

*Add FL to the item code for lock with flip key (available in 5000 combinations).

Square Lock



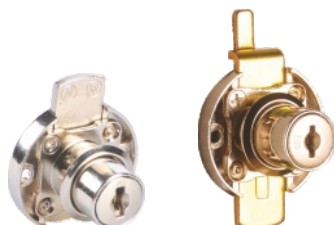
(Extended Bolt)

- Click action mechanism.
- Key removable in locked and unlocked positions.
- For single drawers with requirement of square body.
- Zinc alloy die-cast chrome finish.
- Extended bolt: Extension - 21.5mm & Width - 19.5mm.
- System 32 compatible.

Items	Code Nos.
Square Lock-22 mm (Straight)	P-SQL1-22S*
Square Lock (Ext. Bolt)	P-SQL1-22EB*
Square Lock-32mm (Left/Right)	P-SQL1-32L/R*

*Add FL to the item code for lock with flip key (available in 5000 combinations).

Multi Purpose Lock - Round



Straight

Cranked

- Click action mechanism.
- Key removable in locked and unlocked positions.
- For single drawers with requirement of round body.
- Available in sets of 2, 3, 4, 6, 12, and 48 with common key.
- Zinc alloy die-cast chrome finish.
- System 32 compatible.

Item	Code Nos.
Multi Purpose Lock - Round Straight	P-MPL1-22*
Multi Purpose Lock - Round Cranked	P-MPL1C-22*

*Add FL to the item code for lock with flip key (available in 5000 combinations).

Lock Knob Adaptor / Lock Knob Adaptor Dummy



- Ergonomically designed.
- Oval knob can be an adaptor to any lock from Ebco Premium range.
- Ideal for Wardrobes, Drawers and Cabinets.
- Eliminates frequent use of keys to lock or unlock.
- Eliminates the need of handle.

Items	Code Nos.
Lock Knob Adaptor	P-LKA-1
Lock knob Adaptor (dummy)	P-LKA1D

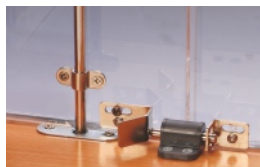


Laundry Basket



Ideal for Laundry Storage. Manufactured out of SS 304 & Electro polished. Swivel opening of Shutter. Shutter Opening Angle : 30°. Convenient to use. Easy to fit.

Auto Bolt Latch



Security and convenience is provided in this new design. Designed for twin shutters. Specially designed Auto Bolt Latch automatically locks the first shutter when the second shutter is closed. Can be used for overlay shutters as well as inset shutters.

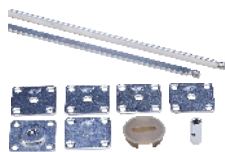
Wardrobe Latch



This special Wardrobe Latch works as an interlock for wardrobes having double shutters. It eliminates the need for tower bolts or magnetic catches. Works automatically by just closing the shutters, one at a time. A special cam with interlock prevents the shutters from opening without the lockable shutter being opened first. Manufactured out of zinc alloy and chrome plated.

Works automatically by just closing the shutters, one at a time. A special cam with interlock prevents the shutters from opening without the lockable shutter being opened first. Manufactured out of zinc alloy and chrome plated.

Door Stiffener



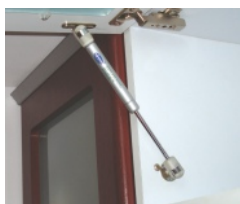
Adjustment located vertically at the center of the door. Symmetrical working processes. Fixing with screws. Can be used in multiples for wider shutters. Adjust the length using tool provided.

Pro - Lift



Easy to open. Safety in use. Easy to fit. Long Life.

Pro - Lift (Progressive)



Easy to open. New Progressive Piston allows the shutters to stay in the desired position at different angles. Safety in use. Easy to fit. Long life.

Bumpers



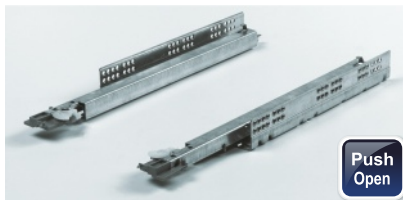
Non-Staining & Non-Marring. Easy 'Peel Off' Application. Superior Abrasion Resistance. Superb Resistance to Skidding & High Coefficient of Friction. Crack-Resistance & Resilient. Vibration & Shock Dampening. UL Recognized Component.

Futura Drawer Slide (Smove) **SALICE**



Dynamic load capacity: N 294 (30kg). With smove decelerated closing. Safety system that prevents the drawer from turning over during transport. Drawer height adjustment (+3mm). Drawer fixing without screws. Finish: Bright zinc plate.

Futura Drawer Slide (Push Open) **SALICE**



Dynamic load capacity: N 294 (30kg). With push opening system. Safety system that prevents the drawer from turning over during transport. Drawer height adjustment (+3mm). Drawer fixing without screws. The drawer, when closed, is locked. Finish: Bright zinc plate.

Unica

SALICE



Full Extension Runner System fixed to the drawer by locating pin. The push self-opening system for handle-less drawers is fully integrated in to the runner. A slight pressure on the drawer frontal is sufficient for the drawer to self-open. The smove decelerated closing action is also fully integrated into the runner.

Sleek Telescopic Slide - Soft Close with Drawer Stabilizer System



Soft Close

Precision ball bearing. Drawer remains Stable within channels and gears while opening and closing. Soft closing function built in slide, easy for installation. Load capacity: 45 Kgs. Direct fitting from front. Removable drawer with Latch. System 32 installation. Gap per Side required - 12.7mm to 13mm. Sizes (Length) available: 450, 500, 550mm.

Premium Sleek Telescopic Slide - Soft Close



Soft Close

30 mm stroke of Soft-Closing. Pull force 3.2-3.5 kgs. Soft-closing function built in slide, easy for installation. Non-handed Disconnect Release. 45 kgs. / 100 lbs. loading at 20". Electro-Zinc plated.

Premium Sleek Telescopic Slide - Push Open



Push Open

Full extension. Push-rebound function built in slide, easy for installation. Non-handed Disconnect Release. 45 kgs / 100 lbs. loading at 18". Rebound 2" - 5" when drawer is pushed. Electro-Zinc plated.

Premium Quadrail Slide - Soft Close (I)



Soft Close

Push type installation. Self and soft closing function make the drawer close safely, without effect of weight. No need of tool to install and uninstall the drawer. Drawer height adjustable by turning the wheel in the Release Clip. 'System 32' compatible. Saves space due to reduced side gap. 30 kgs. Load capacity. Cr-free galvanized steel.



Slide on Hinge

SALICE



It can be used for shutter thickness from 16mm to 26mm. Bright nickel plated steel cup and arm. 110° opening in overlay and half overlay models and 94° opening in inset model. Mounting Plate provided S-MP1-3.

Click on Hinge

SALICE



It can be used for shutter thickness from 16mm to 26mm. Bright nickel plated steel cup and arm. 11 mm deep metal cup. 110° opening in overlay and half overlay models and 94° opening in inset model. Mounting Plate provided S-MP1-3.

165° Hinge

SALICE



It can be used for shutter thickness from 16mm to 28mm. 11 mm deep metal cup. 165° opening. Mounting Plate provided S-MP1-3.

Silentia - 110°

SALICE



It can be used for shutter thickness from 18 to 26mm. 12mm and 13.5mm deep cup Bright nickel plated steel cup and arm. 110° opening. Mounting Plate provided S-MP3-3. Also available in Overlay (Titanium finish) with Mounting Plate S-MP4T.

Silentia - 155°

SALICE



It can be used for shutter thickness from 16mm to 26mm. 13.5mm deep cup. 155° opening. Mounting Plate provided S-MP3-3.

SALICE Lapis



Revolutionizes shape and perception

Lapis is the new system for Silentia Hinges with damping system integrated in the cup with cover. At present hinges are available with 0mm and 9mm cranking for doors with 16 mm min. thickness, with 13.5 deep cup, 110° opening and door drilling pattern "K" from 3 to 6mm. Lapis Hinge system only works in combination with longitudinal Domi snap-on mounting plates (BAP). The application of the new hinge requires the same standard drilling patterns and processes used in traditional furniture hinges and it does not need special workings on door and cabinet side. Lapis is a hinge system which offers industry- leading characteristics of adjustment, strength, durability and damping performance. The product technique consists of two covers which move with the hinge elements synchronously, hiding the technical components and enriching the product with refined aesthetics, far removed from the traditional geometries of furniture hinges. The 3 finishes – Satin Metal Black, Dull White and Glossy Chrome – offer a high personalization level, meeting the requirements of producers of any kind of furniture. Lapis by Salice represents a revolution in form and style and its numerous finishes compared to what is available on the market.

Push Open Hinge - 110°

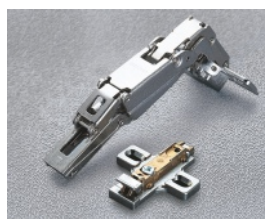
SALICE



It can be used for shutter thickness from 16mm to 26mm. 11 mm deep metal cup. Bright nickel plated steel cup and arm. 110° opening. To be used with Magnetic Release Device (S-MRD1). Mounting Plate provided S-MP3-3.

Push Open Hinge - 165°

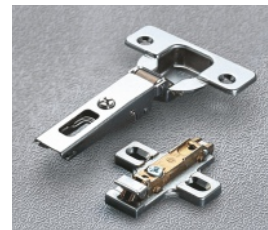
SALICE



11 mm deep die-cast cup. 35 mm cup diameter. 165° opening. Max. thickness of the door with square edges: 23 mm. Mounting Plate provided S-MP1-3.

Thick Door Hinge - Ø35

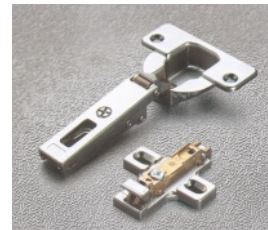
SALICE



It can be used for shutter thickness up to 35mm. 11 mm deep metal cup. Bright nickel plated steel cup and arm. 94° opening. Available in overlay and half overlay models. Mounting Plate provided S-MP3-3.

Thick Door Hinge - Ø40

SALICE



It can be used for shutter thickness up to 40mm. 13 mm deep steel cup. Bright nickel plated steel cup and arm. 40 mm cup diameter. 94° opening. Available in overlay and half overlay models. Mounting Plate provided S-MP3-3.

Slip on Hinge - EURO



Available in Full Overlay, Half Overlay and Inset. Max. Opening - 105°. Max. shutter size - 34" x 22" (850 mm x 550 mm) for 2 hinges. Shutter Thickness - 16 to 19 mm. Shutter Cavity: Ø35 mm, 12 mm deep, 4 mm from edge. Finish - Nickel Plated.

Hinge Hole Cover: Cap to cover the Ø35mm drilling made for maxi connectors, hinges, etc. Easy to fit & remove and also reusable.

180° Hinge



Heavy duty cupboard hinges. Spring loaded with 'Auto-Closing' feature. Adjustments for gap and pivot angle. 'System 32' compatible. Max opening 180°. Max shutter size 2135mm x 600mm (85" x 24") for 2 hinges. Shutter thickness 16mm to 26mm. Finish : Nickel plated.

Thick Door Hinge



Available in Full Overlay, Half Overlay and Inset. Max. opening: 100°. Max. Shutter size: 34" x 22" (850mm x 550mm) for 2 hinges. Shutter Thickness: 18mm to 30mm. Shutter cavity: Ø40mm, 14mm deep, 4mm from edge. Finish: Nickel Plated.

165° Hinge - Soft Close



Heavy duty cupboard hinges. Max shutter size 2135mm x 600mm (85" x 24") for 2 hinges. Soft Close mechanism prevents shutter from banging. Max opening 165°. Adjustment for Gap & Pivot Angle. System 32 compatible. Available in Full Overlay & Half Overlay. Finish :- Nickel Plated.

Hinge Slo - Motion



Unique built in damping system allows the shutter to close in slow motion without banging. Special cover plate provided. Available in Full Overlay, Half Overlay & Inset. Max. opening 105°. Max. Shutter size : 34" x 22" (850 mm x 550 mm) for 2 hinges. Shutter Thickness : 16mm to 19mm. Shutter cavity : Ø35 mm, 12mm deep, 4 mm from edge. Finish : Nickel Plated.

Thick Door Hinge - Soft Close



Available in Full Overlay. Soft Close Mechanism Prevents Shutter from Banging. Max. Opening : 95°. Max. Shutter size : 34" x 22" (850mm x 550mm) for 2 Hinges. Shutter Thickness : 18mm to 30mm. Shutter Cavity : Ø40mm, 14 deep, Cavity 4mm from Edge. Finish : Nickel Plated .

165° Hinge (I)



Heavy duty cupboard hinges. Max. shutter size 2135mm x 600mm (85" x 24") for 2 hinges. Shutter thickness 16mm to 26mm. Spring loaded with 'Auto-Closing' feature. 165° opening angle. Adjustments for gap and pivot angle. 'System 32' compatible. Available in 2 models - Full Overlay & Half Overlay. Finish : Nickel plated.

Accessories **SALICE**

S-SMV1 (Smove Light)



S-SMVA-1 (Smove Adaptor)



S-MRD1 (Magnetic Release Device)



S-SMV2 (Smove Heavy)



S-POD1 (Push Open Device)



Ebco Pvt. Ltd.

402-3, Hyde Park, Saki Vihar Road, Mumbai 400072. INDIA.

Tel.: +91-22 67837777. Fax: +91-22 66920700.

Email: info@ebco.in Web: www.ebco.in